

## MAST 2



### Description

The **Mast 2 Area Light** has been designed to maximize space while meeting stringent guidelines for average, uniformity, and veiling luminance. Asymmetric distributions allow easy aiming towards area requiring illumination, **with a rotatable optical assembly for even greater control.**

### Features

Lumen packages ranging from 29400 to 97500 provide one-for-one replacement of up to 1500 watt HPS. Energy conservation of 60% prismatic glass optics provide high application efficacy, uniformity, and glare control. A choice of multiple asymmetric lighting distributions for both median mount and offset pole mounting configurations. Ventilated aluminum housing for maximum thermal transmission. Robust mechanical design with IP66 optics, 3G vibration rating, 4-bolt mounting, powder painting finish, passed 1000~5000Hrs salt spray test. Nema Rating 4X

### Electrical Specifications

LED Type: Philips/Osram  
 LED Driver: Meanwell  
 Driver Class: 1  
 Driver Power Consumption: <3%  
 Available Wattages: 210W, 240W, 320W, 475W, 570W, 630W, 750W  
 Lumen Maintenance @L82:>100,000 hours  
 CRI: >70 Ra  
 THD: <15%  
 Power Factor: >0.90  
 Power Efficiency: 0.90  
 EPA: 1.637ft<sup>2</sup>  
 Surge Protection Device: 10KV (standard), 20KV (available)  
 Ambient Temperature: -40 to 55 degrees Celsius /  
 -40 to 131 degrees Fahrenheit  
 Available Voltages: 120-277VAC and 277-480VAC

### Certifications/Warranty

cULus and CE with 6 year warranty



## MAST 2 210W



### Product Information

#### 210W

Installation:	Mast Arm
Material:	Die-cast Aluminum
Finish:	Powder coat
System power (W):	210
Fixture lumen output (lm):	29400
System efficiency (lm/W):	140
LED driver:	Meanwell
LED Engine:	Philips/OSRAM

### Packaging

Net weight lamp (kg/lb):	20.5 / 45.19
Gross weight carton (kg/lb):	24.5 / 54.01
Master carton dimensions (mm/in):	880x665x350 / 34.6x26.2x13.8
Quantity per carton:	1

### Code composition

Series	Model	Mounting	Wattage-Lumens	Optics	
AL	Area Light	MA2 Mast	MA Mast Arm	210W-294L 210W-29400lm	T2 TYPE II T3 TYPE III T4 TYPE IV T5 TYPEV

CCT	CRI	Voltage	Dimming	Finish	Lens	Accessories
30K	3000K	70 70+	UNV 120-277V	D 0-10V Dimming	SI Silver	PCL PC Clear NA No Accessories
40K	4000K	HV 277-480V				PC-UNV 5 Pin Photocell UNV
50K	5000K				GCL Glass Clear	PC-HV 5 Pin Photocell HV SPD20 20KV SPD

## MAST 2 240W



### Product Information

#### 240W

Installation:	Mast Arm
Material:	Die-cast Aluminum
Finish:	Powder coat
System power (W):	240
Fixture lumen output (lm):	33600
System efficiency (lm/W):	140
LED driver:	Meanwell
LED Engine:	Philips/OSRAM

### Packaging

Net weight lamp (kg/lb):	20.5 / 45.19
Gross weight carton (kg/lb):	24.5 / 54.01
Master carton dimensions (mm/in):	880x665x350 / 34.6x26.2x13.8
Quantity per carton:	1

### Code composition

Series	Model	Mounting	Wattage-Lumens	Optics
AL	Area Light	MA2 Mast	MA Mast Arm	240W-336L 240W-33600lm
				T2 TYPE II
				T3 TYPE III
				T4 TYPE IV
				T5 TYPEV

CCT	CRI	Voltage	Dimming	Finish	Lens	Accessories	
30K	3000K	70 70+	UNV 120-277V	D 0-10V Dimming	SI Silver	PCL PC Clear	NA No Accessories
40K	4000K		HV 277-480V			(Standard)	PC-UNV 5 Pin Photocell UNV
50K	5000K					GCL Glass Clear	PC-HV 5 Pin Photocell HV
							SPD20 20KV SPD

## MAST 2 320W



### Product Information

#### 320W

Installation:	Mast Arm
Material:	Die-cast Aluminum
Finish:	Powder coat
System power (W):	320
Fixture lumen output (lm):	44800
System efficiency (lm/W):	140
LED driver:	Meanwell
LED Engine:	Philips/OSRAM

### Packaging

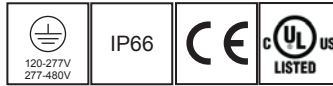
Net weight lamp (kg/lb):	21.2 / 46.74
Gross weight carton (kg/lb):	25.2 / 55.56
Master carton dimensions (mm/in):	880x665x350 / 34.6x26.2x13.8
Quantity per carton:	1

### Code composition

Series	Model	Mounting	Wattage-Lumens	Optics	
AL	Area Light	MA2 Mast	MA Mast Arm	320W-448L 320W-44800lm	T2 TYPE II T3 TYPE III T4 TYPE IV T5 TYPEV

CCT	CRI	Voltage	Dimming	Finish	Lens	Accessories
30K	3000K	70 70+	UNV 120-277V	D 0-10V Dimming	SI Silver	PCL PC Clear NA No Accessories
40K	4000K	HV 277-480V				(Standard) PC-UNV 5 Pin Photocell UNV
50K	5000K				GCL Glass Clear	PC-HV 5 Pin Photocell HV SPD20 20KV SPD

## MAST 2 400W



### Product Information

#### 400W

Installation:	Mast Arm
Material:	Die-cast Aluminum
Finish:	Powder coat
System power (W):	400
Fixture lumen output (lm):	56000
System efficiency (lm/W):	140
LED driver:	Meanwell
LED Engine:	Philips/OSRAM

### Packaging

Net weight lamp (kg/lb):	
Gross weight carton (kg/lb):	
Master carton dimensions (mm/in):	880x665x350 / 34.6x26.2x13.8
Quantity per carton:	1

### Code composition

Series	Model	Mounting	Wattage-Lumens	Optics	
AL	Area Light	MA2 Mast	MA Mast Arm	400W-560L 400W-56000lm	T2 TYPE II T3 TYPE III T4 TYPE IV T5 TYPEV

CCT	CRI	Voltage	Dimming	Finish	Lens	Accessories
30K 3000K	70 70+	UNV 120-277V	D 0-10V Dimming	SI Silver	PCL PC Clear (Standard)	NA No Accessories
40K 4000K		HV 277-480V			GCL Glass Clear	PC-UNV 5 Pin Photocell UNV
50K 5000K						PC-HV 5 Pin Photocell HV SPD20 20KV SPD

# MAST 2 475W



## Product Information

**475W**

Installation:	Mast Arm
Material:	Die-cast Aluminum
Finish:	Powder coat
System power (W):	475
Fixture lumen output (lm):	66500
System efficiency (lm/W):	140
LED driver:	Meanwell
LED Engine:	Philips/OSRAM

## Packaging

Net weight lamp (kg/lb):	24.2 / 53.35
Gross weight carton (kg/lb):	28.2 / 62.17
Master carton dimensions (mm/in):	880x665x350 / 34.6x26.2x13.8
Quantity per carton:	1

## Code composition

Series	Model	Mounting	Wattage-Lumens	Optics	
AL	Area Light	MA2 Mast	MA Mast Arm	<b>475W-665L</b> 475W-66500lm	T2 TYPE II T3 TYPE III T4 TYPE IV T5 TYPEV

CCT	CRI	Voltage	Dimming	Finish	Lens	Accessories
<b>30K</b> 3000K	<b>70</b> 70+	<b>UNV</b> 120-277V	<b>D</b> 0-10V Dimming	<b>SI</b> Silver	<b>PCL</b> PC Clear (Standard)	<b>NA</b> No Accessories
<b>40K</b> 4000K		<b>HV</b> 277-480V			<b>GCL</b> Glass Clear	<b>PC-UNV</b> 5 Pin Photocell UNV
<b>50K</b> 5000K						<b>PC-HV</b> 5 Pin Photocell HV <b>SPD20</b> 20KV SPD

## MAST 2 570W



### Product Information

#### 570W

Installation:	Mast Arm
Material:	Die-cast Aluminum
Finish:	Powder coat
System power (W):	570
Fixture lumen output (lm):	79800
System efficiency (lm/W):	140
LED driver:	Meanwell
LED Engine:	Philips/OSRAM

### Packaging

Net weight lamp (kg/lb):	25.1 / 55.34
Gross weight carton (kg/lb):	29.1 / 64.15
Master carton dimensions (mm/in):	880x665x350 / 34.6x26.2x13.8
Quantity per carton:	1

### Code composition

Series	Model	Mounting	Wattage-Lumens	Optics	
AL	Area Light	MA2 Mast	MA Mast Arm	570W-798L 570W-79800lm	T2 TYPE II T3 TYPE III T4 TYPE IV T5 TYPEV

CCT	CRI	Voltage	Dimming	Finish	Lens	Accessories
30K 3000K	70 70+	UNV 120-277V	D 0-10V Dimming	SI Silver	PCL PC Clear (Standard)	NA No Accessories
40K 4000K		HV 277-480V			GCL Glass Clear	PC-UNV 5 Pin Photocell UNV
50K 5000K						PC-HV 5 Pin Photocell HV SPD20 20KV SPD

# MAST 2 630W



## Product Information

### 630W

Installation:	Mast Arm
Material:	Die-cast Aluminum
Finish:	Powder coat
System power (W):	630
Fixture lumen output (lm):	88200
System efficiency (lm/W):	140
LED driver:	Meanwell
LED Engine:	Philips/OSRAM

## Packaging

Net weight lamp (kg/lb):	25.1 / 55.34
Gross weight carton (kg/lb):	29.1 / 64.15
Master carton dimensions (mm/in):	880x665x350 / 34.6x26.2x13.8
Quantity per carton:	1

## Code composition

Series	Model	Mounting	Wattage-Lumens	Optics	
AL	Area Light	MA2 Mast	MA Mast Arm	630W-822L 630W-88200lm	T2 TYPE II T3 TYPE III T4 TYPE IV T5 TYPEV

CCT	CRI	Voltage	Dimming	Finish	Lens	Accessories
30K 3000K	70 70+	UNV 120-277V	D 0-10V Dimming	SI Silver	PCL PC Clear (Standard)	NA No Accessories
40K 4000K		HV 277-480V			GCL Glass Clear	PC-UNV 5 Pin Photocell UNV
50K 5000K						PC-HV 5 Pin Photocell HV SPD20 20KV SPD



# MAST 2 750W



## Product Information

631W

Installation:	Mast Arm
Material:	Die-cast Aluminum
Finish:	Powder coat
System power (W):	750
Fixture lumen output (lm):	105000
System efficiency (lm/W):	140
LED driver:	Meanwell
LED Engine:	Philips/OSRAM

## Packaging

Net weight lamp (kg/lb):	25.3 / 55.78
Gross weight carton (kg/lb):	29.3 / 64.6
Master carton dimensions (mm/in):	880x665x350 / 34.6x26.2x13.8
Quantity per carton:	1

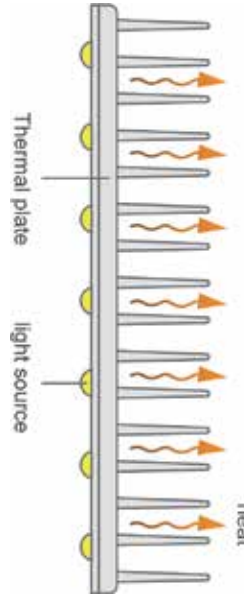
## Code composition

Series	Model	Mounting	Wattage-Lumens	Optics	
AL	Area Light	MA2 Mast	MA Mast Arm	750W-1050L 750W-105000lm	T2 TYPE II T3 TYPE III T4 TYPE IV T5 TYPEV

CCT	CRI	Voltage	Dimming	Finish	Lens	Accessories	
30K	3000K	70 70+	UNV 120-277V	D 0-10V Dimming	SI Silver	PCL PC Clear (Standard)	NA No Accessories
40K	4000K		HV 277-480V			GCL Glass Clear	PC-UNV 5 Pin Photocell UNV
50K	5000K						PC-HV 5 Pin Photocell HV SPD20 20KV SPD

## FEATURES

The luminaire has multiple roadway lighting distributions designed to maximize spacing while meeting stringent requirements of IES RP8 guidelines for average, uniformity and veiling luminance. Installation costs are minimized with this direct retrofit luminaire without rewiring or changing existing luminaire arms. Asymmetric distributions are easily aimed towards the roadway with the rotatable optical assembly.



### Ventilation convection housing .

The luminaire uses a die-casting heat sink to con-  
vect/conduce heat, quickly dissipate heat, and  
extend the life of the LED lamp.

### Rotate 0°~355°

Rotatable lamp body, adjustable light placement. .

## PC OR GLASS LENS

PC or Glass lens ensures optical integrity. It is also keep dust and dirt re-  
sistant. IP66 rated.

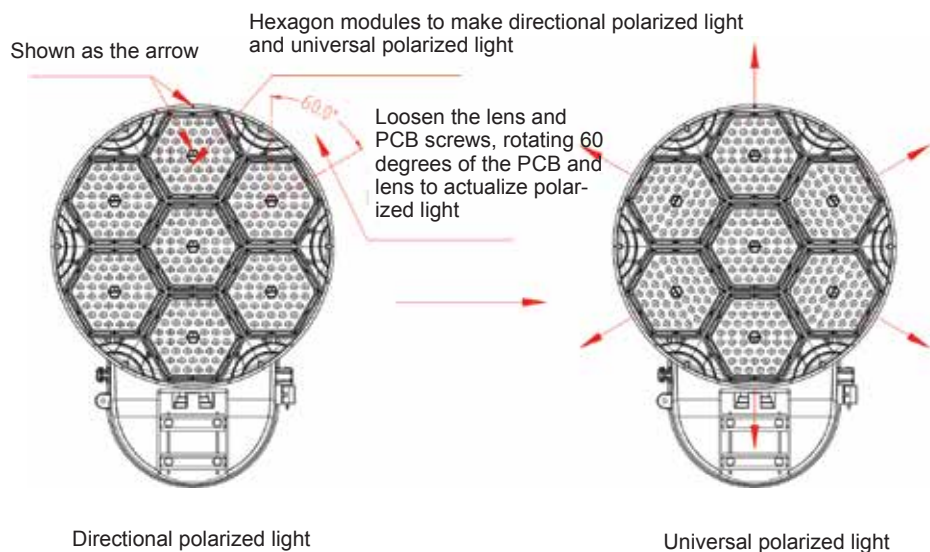
## INSTALLATION METHOD

Mast arm installation.

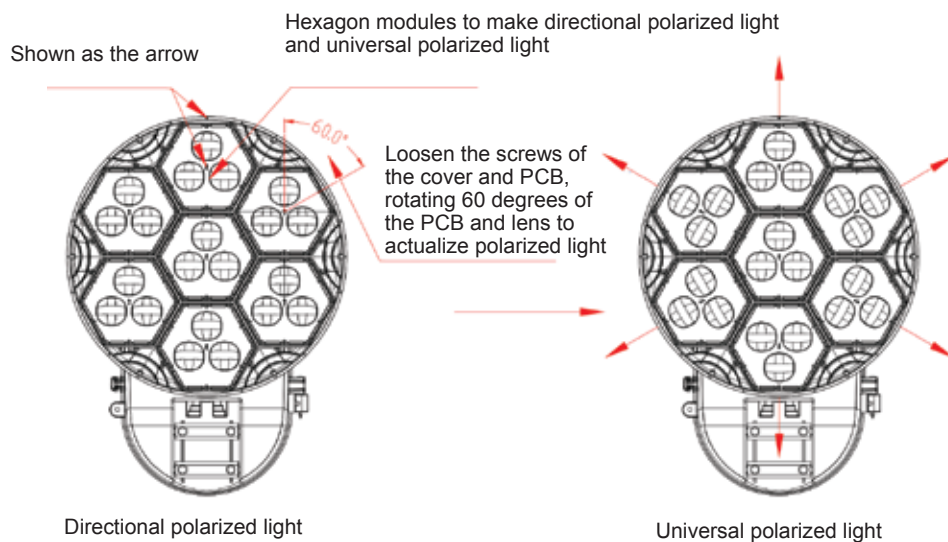


## INSTALLATION TYPE

### PC LENS



### GLASS LENS



## INSTALLATION TYPE

### MAST ARM INTERNAL MOUNTING

Allen Wrench 6MM/0.24" x2 5NM

Hinged access

60MM/2.36"

Rubber ring

Pole

1. Loosen screws of power box cover, box buckle and clamp. Then mount the Rubber ring on the light pole.

handle

110°

Pay attention to your safety while operating

Gradienter

Box Wrench 18MM/0.71" x4

2. Open the top cover of driver box by 110 degrees by the handle, insert the light pole into the lamp body, and tighten the lamp pole bracket after determining the lamp level through the gradienter.

Securing pipe

Black L L Black

White N N White

Green GND GND Green

3. Unplug the securing pipe and connect the external input wires with the same color wires, black for L, white for N and green for GND.

Potentiometer

Allen Wrench 6MM/0.24" x6 5NM

Cover plate

Shown as the arrow

4. A field-adjustable output by a 1-10V potentiometer can be utilized if needed to adjust the brightness of the fixture. Ventilated optical housing(360 degrees) which can be rotated to suit application by loosening 6pcs screws on the plate. Please close the cover after installation .

Box Wrench 18MM/0.71" x4 9NM

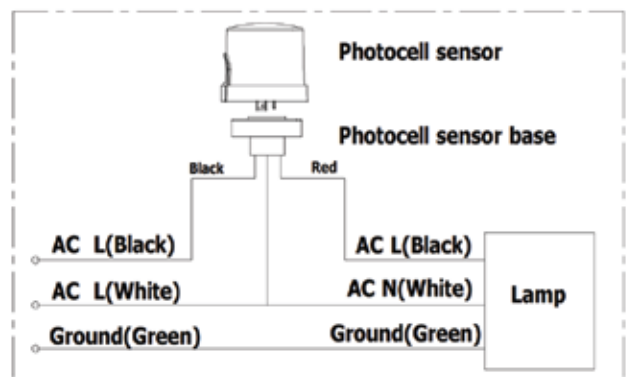
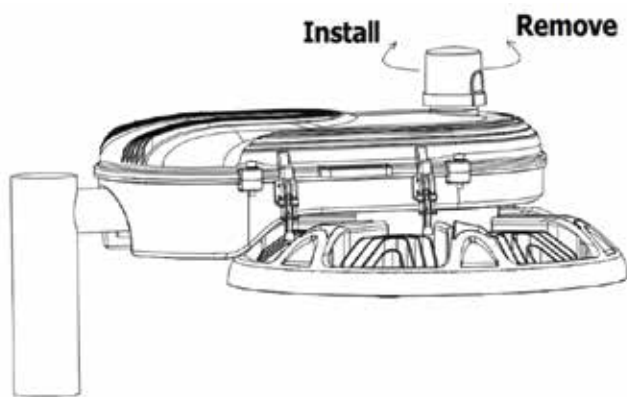
Angle of the tilt

If you are not satisfied with the vertical Angle of the lamp, open the top cover of the power supply counterclockwise. You can twist the screw on the clamp, adjust the lamp rod to the appropriate Angle step, lock the clamp screw, and fix the lamp rod.

7.0°

The vertical angle offers 0~7 degrees tilt.

## PHOTOCELL INSTALLATION



## SHORT-CIRCUIT CAP INSTALLATION

