

H TRACK SYSTEM

Description

Luxlogic provides a high-quality track system for the professional lighting market.

The wide range of accessories gives the designer maximum freedom to create a custom track plan. Single circuit 3 wire track is available in 4 and 8 ft lengths. Track and accessory finishes are White (Standard), Black (Standard) and Grey (Optional).

The track can easily be cut to the desired length on site.

Electrical Specs

120v 20 Amp Single Circuit

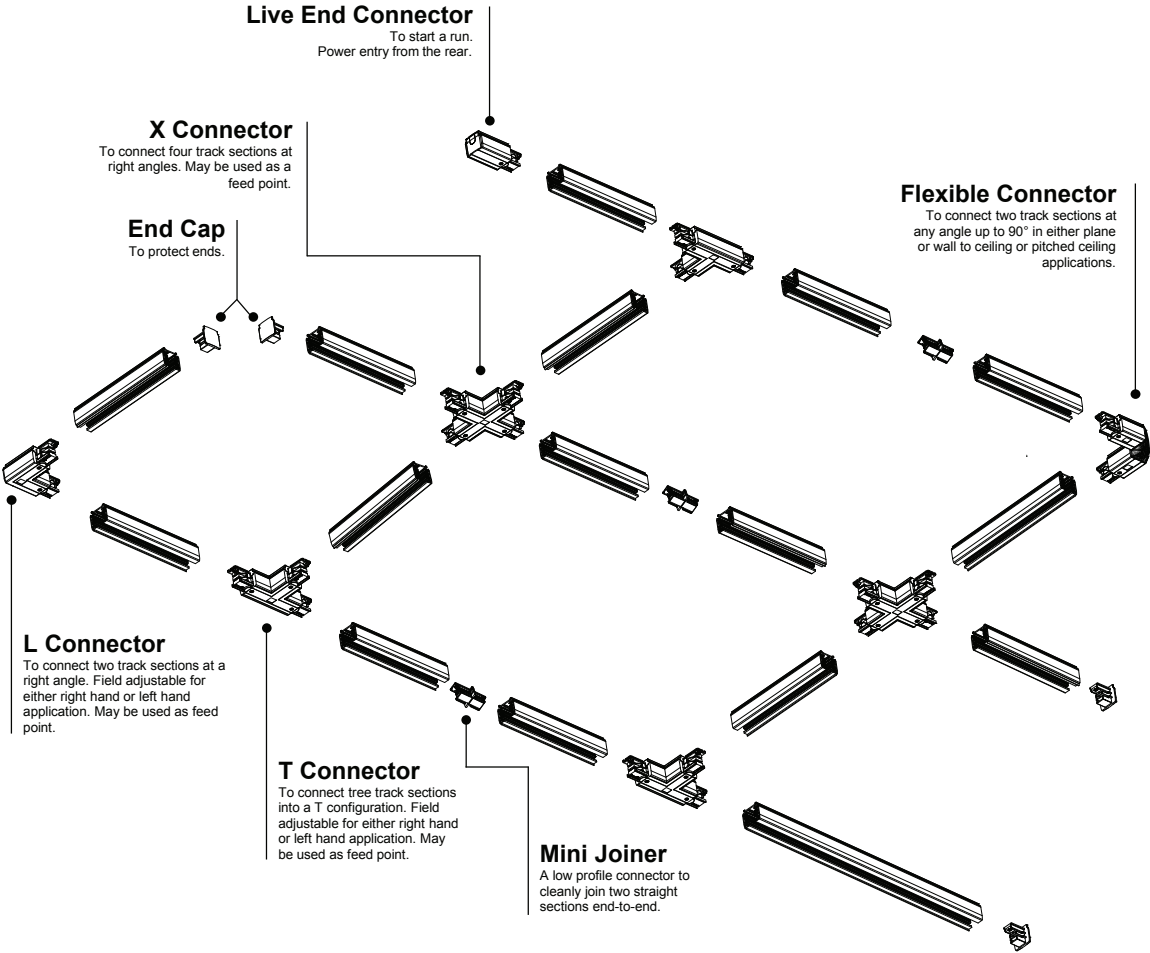


Certifications and Warranty

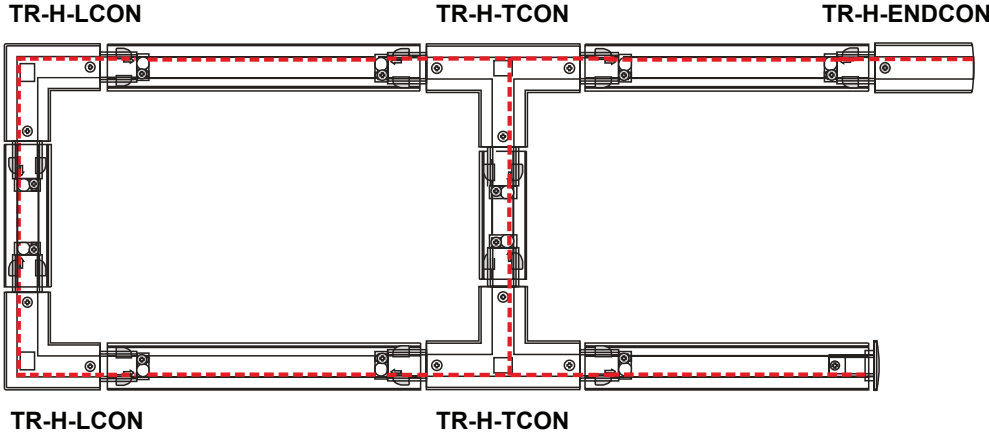
CE and cETL with 5 year Limited warranty



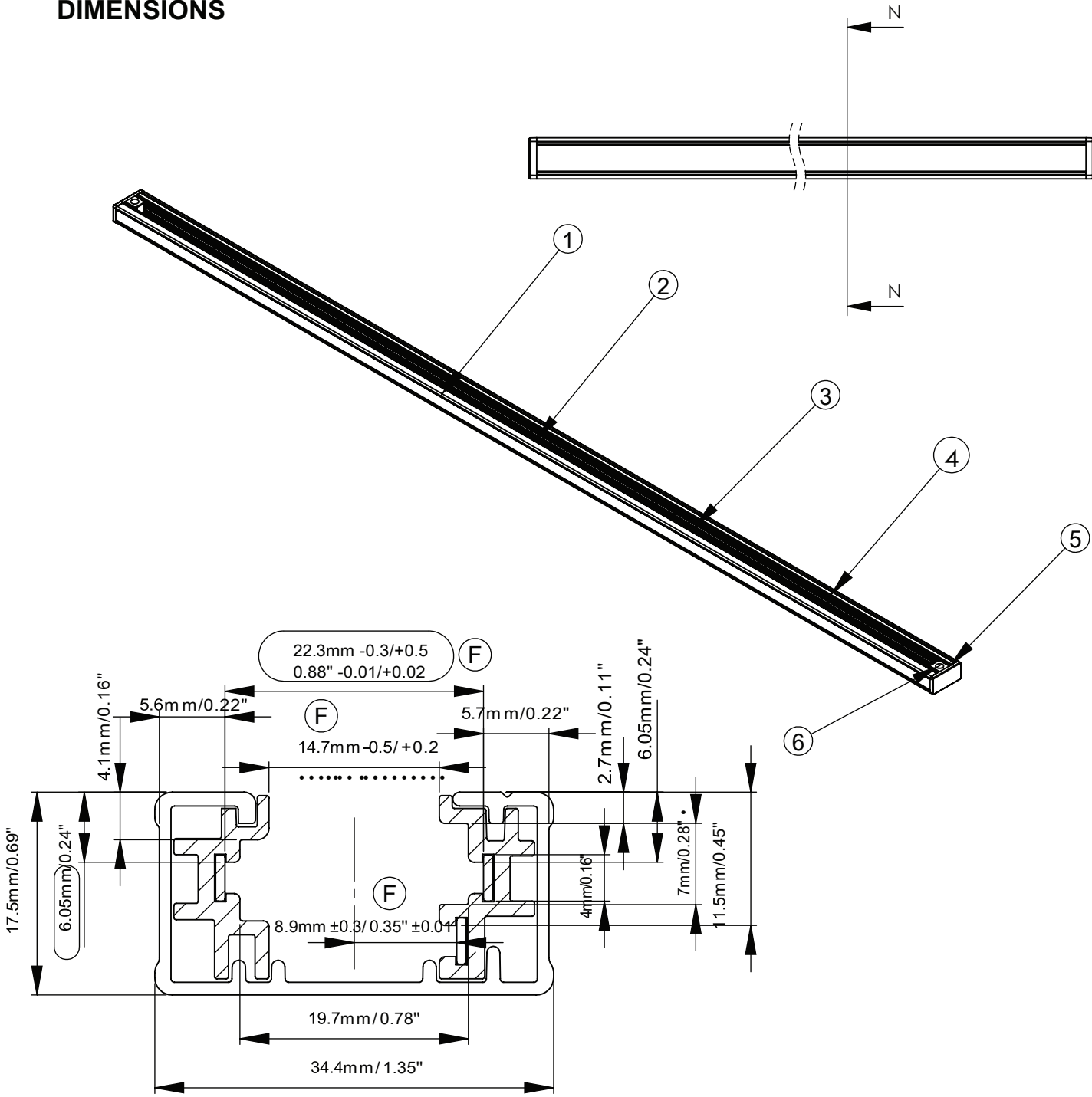
COMPOSITION



CONNECTION DIAGRAM



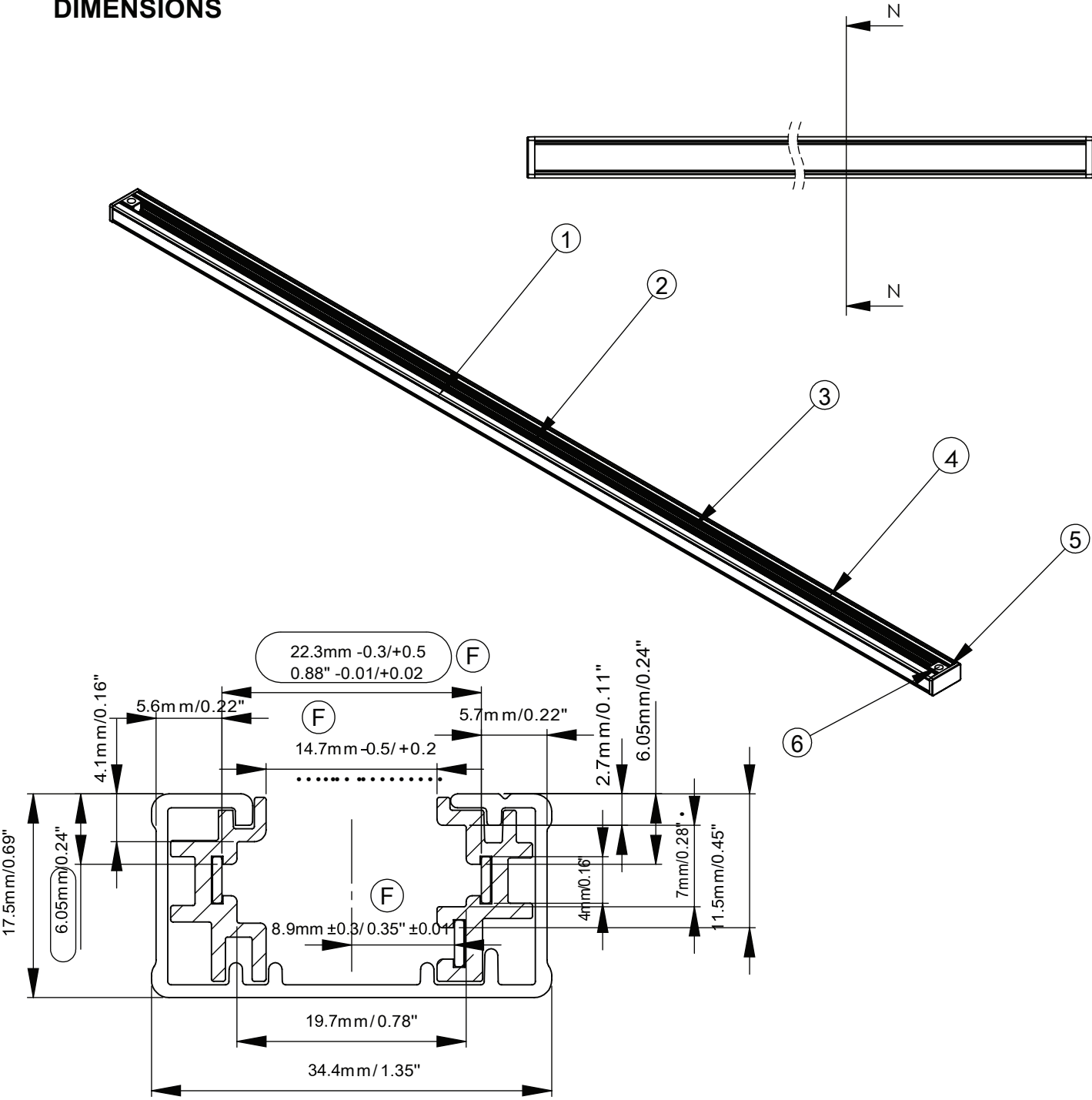
DIMENSIONS



Section: N-N Length: 4F/47.3"/1200mm
 Ratio: 2 : 1 8F/94.5"/2400mm

6	N/A	M3.5*9.8 screw	2
5	N/A	End cap	2
4	N/A	Copper wire	3
3	N/A	Right plastic strip	1
2	N/A	Left plastic strip	1
1	N/A	Track shell	1
ITEM	P/N	DESCRIPTION	QTY

DIMENSIONS



Section: N-N Length: 4F/47.3"/1200mm
 Ratio: 2 : 1 8F/94.5"/2400mm

6	N/A	M3.5*9.8 screw	2
5	N/A	End cap	2
4	N/A	Copper wire	3
3	N/A	Right plastic strip	1
2	N/A	Left plastic strip	1
1	N/A	Track shell	1
ITEM	P/N	DESCRIPTION	QTY