

## FOODPRO UFO ULTRA SERIES



### Description

The **FoodPro UFO Ultra** series is specifically designed for fresh food displays.

It is **NSF Certified**.

It is also designed to minimize and eliminate hardware and screws preventing collection of dust and moisture therefore enhancing the safety for food processing applications.



**QuickShip available for 150W 50K UNV & 200W 50K UNV only.**

### Features

Food grade aluminum housing.

FoodPro UFO Ultra is IP69K rated, suitable for freezers and dry storage areas, poultry processing areas, cold storage, production floor, non-food zone area, and sanitary areas.

Comes standard with eye bolt and clear polycarbonate lens.

### Electrical Specifications

LED Type: Lumileds SMD LED

Available Wattages: 80W, 100W, 150W, 200W

Power Factor: >0.9

THD: <20%

UGR: 34.1

Standard Surge Protection Device: 4KV

Ambient Temperature: -40° to 55°C (-40° to 131°F)

Available Voltages: UNV 100-277VAC

HV 277-480VAC

Comes with standard 0.5m (1.5') power cable.

**90D PC Reflector**

**Microwave Sensors**

Accessories



### Certifications and Warranty

NSF, cULus, and DLC with 6 year warranty.

# FOODPRO ULTRA 80W/100W

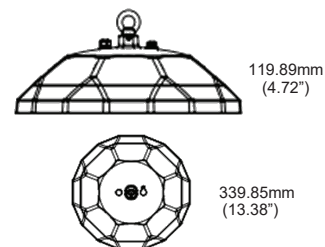


### Product Information

	80W	100W
Installation:	Eye bolt	
Material:	Food grade aluminum	
Finish:	Powder coat	
System power (W):	80W	100W
Fixture lumen output (lm):	12000	15000
System efficiency (lm/W):	150	
LED engine:	Lumileds SMD LED	

### Packaging

Net weight lamp (kg/lb):	5.30 / 11.68	5.30 / 11.68
Gross weight carton (kg/lb):	6.80 / 14.99	6.80 / 14.99
Master carton dimensions (mm/in):	475x475x205 / 18.7x18.7x8.07	475x475x205 / 18.7x18.7x8.07
Quantity per carton:	1	1



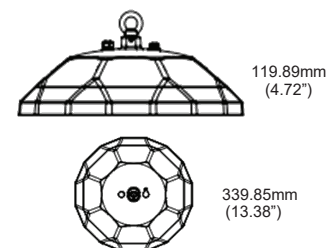
### Code composition

Series	Model	Mounting	Wattage-Lumens	Optics		
HB	High Bay	FPUU	FoodPro UFO Ultra	EB Eye Bolt	80W-120L 80W-12000lm	115 115D

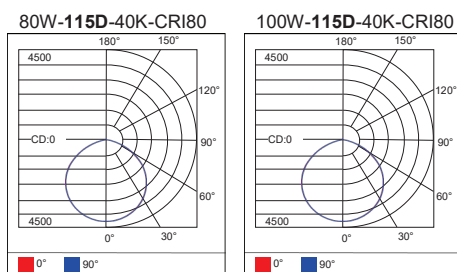
CCT	CRI	Voltage	Dimming	Finish	Lens	Accessories
30K	3000K	80 80+ (Standard) UNV 100-277V	D 0-10V	WH White	CL PC Clear (Standard)	NA No Accessories
35K	3500K	95 95 HV 277-480V	Dimming			PO90 90D PC Reflector
40K	4000K					OS Occupancy Sensor
50K	5000K					EB1 Emergency Battery
						AC 10 ft Aircraft Cable
						M12-1/4" M12-1/4" Adaptor Black
						M12-1/2" M12-1/2" Adaptor Black
						M12-3/4" M12-3/4" Adaptor Black

### Code composition

Series	Model	Mounting	Wattage-Lumens	Optics	CCT					
HB	High Bay	FPUU	FoodPro UFO Ultra	EB Eye Bolt	100W-150L 100W-15000lm	115 115D	30K 3000K	35K 3500K	40K 4000K	50K 5000K



CRI	Voltage	Dimming	Finish	Lens	Accessories
80 80+ (Standard)	UNV 100-277V	D 0-10V	WH White	CL PC Clear (Standard)	NA No Accessories
95 95	HV 277-480V	Dimming			PO90 90D PC Reflector
					OS Occupancy Sensor
					EB1 Emergency Battery
					AC 10 ft Aircraft Cable
					M12-1/4" M12-1/4" Adaptor Black
					M12-1/2" M12-1/2" Adaptor Black
					M12-3/4" M12-3/4" Adaptor Black





# FOODPRO ULTRA 150W/200W

Product Information	150W	200W
Installation:	Eye bolt	
Material:	Food grade aluminum	
Finish:	Powder coat	
System power (W):	150W	200W
Fixture lumen output (lm):	22500	30000
System efficiency (lm/W):	150	
LED engine:	Lumileds SMD LED	

## Packaging

Net weight lamp (kg/lb):	5.30 / 11.68	5.30 / 11.68
Gross weight carton (kg/lb):	6.80 / 14.99	6.80 / 14.99
Master carton dimensions (mm/in):	475x475x205 / 18.7x18.7x8.07	475x475x205 / 18.7x18.7x8.07
Quantity per carton:	1	1

## Code composition

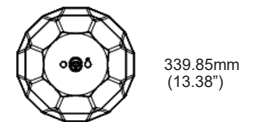
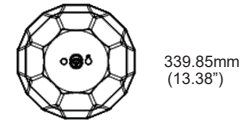
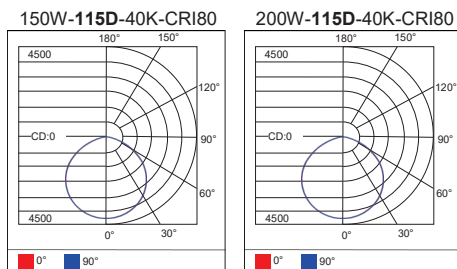
Series	Model	Mounting	Wattage-Lumens	Optics		
HB	High Bay	FPUU	FoodPro UFO Ultra	EB Eye Bolt	150W-225L 150W-22500lm	115 115D

CCT	CRI	Voltage	Dimming	Finish	Lens	Accessories	
30K	3000K	80 80+ (Standard)	UNV 100-277V	D 0-10V	WH White	CL PC Clear (Standard)	NA No Accessories
35K	3500K	95 95	HV 277-480V	Dimming			PO90 90D PC Reflector
40K	4000K						OS Occupancy Sensor
50K	5000K						EB1 Emergency Battery
							AC 10 ft Aircraft Cable
							M12-1/4" M12-1/4" Adaptor Black
							M12-1/2" M12-1/2" Adaptor Black
							M12-3/4" M12-3/4" Adaptor Black

## Code composition

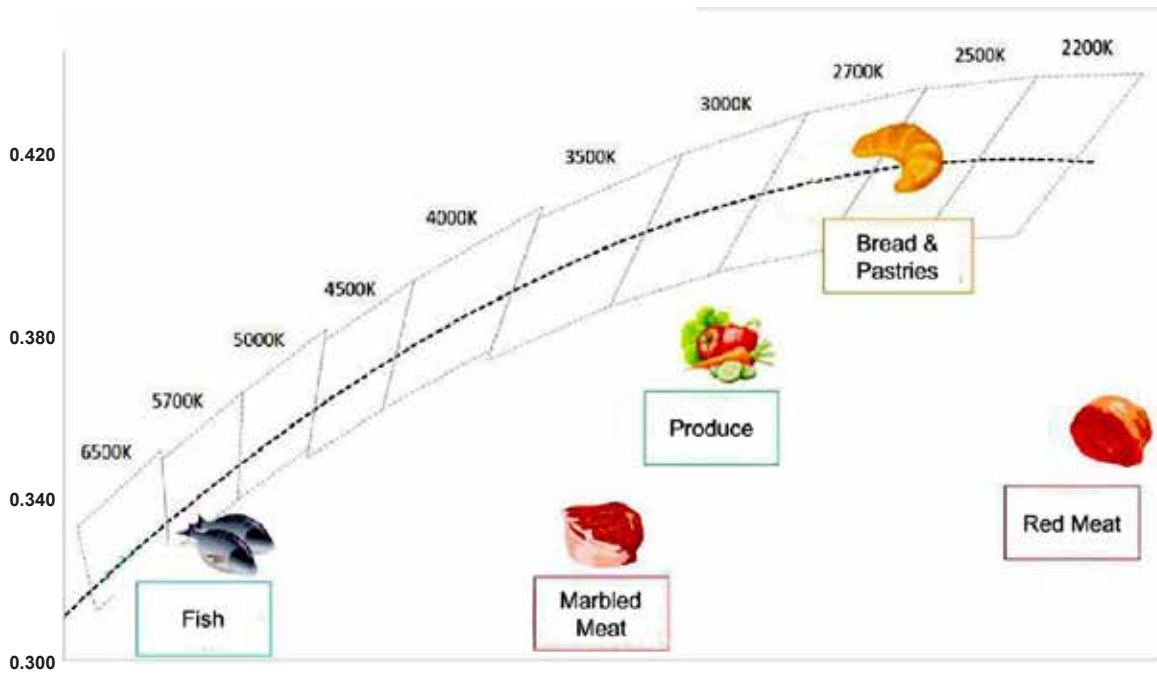
Series	Model	Mounting	Wattage-Lumens	Optics		
HB	High Bay	FPUU	FoodPro UFO Ultra	EB Eye Bolt	200W-300L 200W-30000lm	115 115D

CCT	CRI	Voltage	Dimming	Finish	Lens	Accessories	
30K	3000K	80 80+ (Standard)	UNV 100-277V	D 0-10V	WH White	CL PC Clear (Standard)	NA No Accessories
35K	3500K	95 95	HV 277-480V	Dimming			PO90 90D PC Reflector
40K	4000K						OS Occupancy Sensor
50K	5000K						EB1 Emergency Battery
							AC 10 ft Aircraft Cable
							M12-1/4" M12-1/4" Adaptor Black
							M12-1/2" M12-1/2" Adaptor Black
							M12-3/4" M12-3/4" Adaptor Black



## Special Application: LED Fresh Food Light

Depending on different foods, food color and other factors, the different color schemes will be provided upon different application. Fresh food LED lighting recipes can help make the difference in your fresh food departments by improving both the presentation and quality of your most perishable products.



3500K for marbled meat;  
2200K for red meat



5000K for Fish



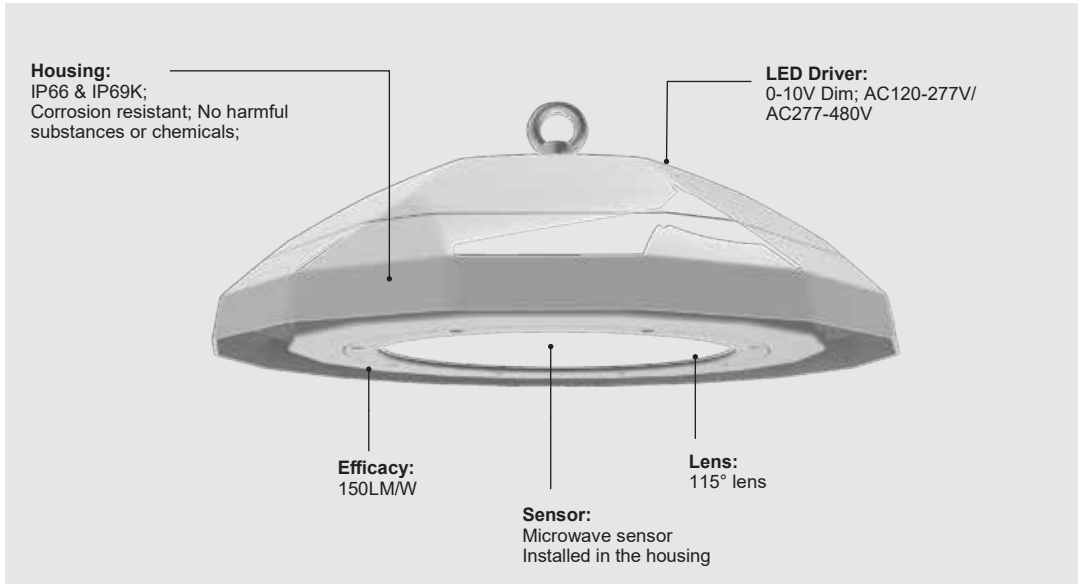
2700K for bread



3000K for produce

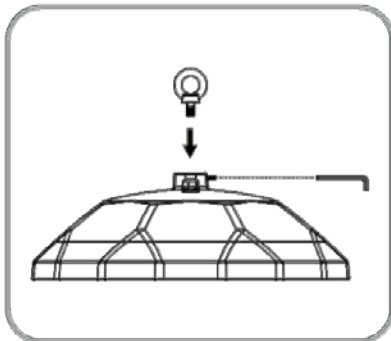


## Composition

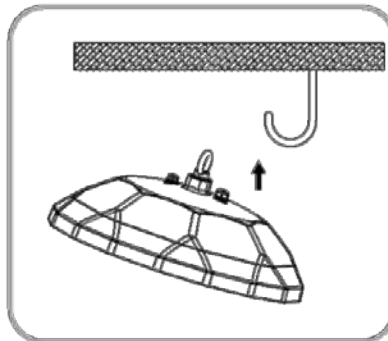


## Installation

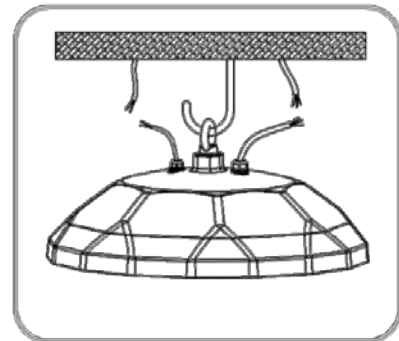
### Eye-Bolt Installation



1. Fix the ring to the lamp (rotate clockwise), tighten the screw

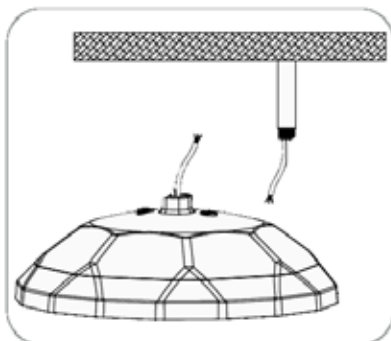


2. Put the ring into the eye bolt

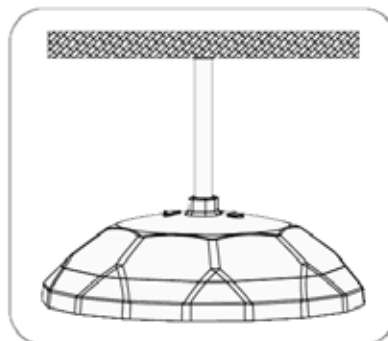


3. Wired as required under safety protection

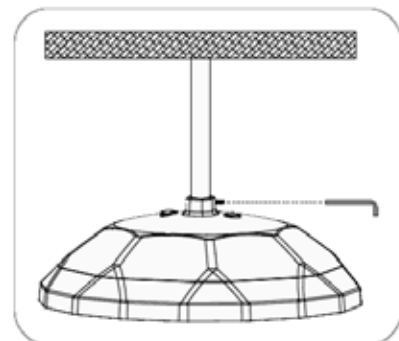
### Pendant Installation (Non-Dimming)



1. Wired as required under safety protection

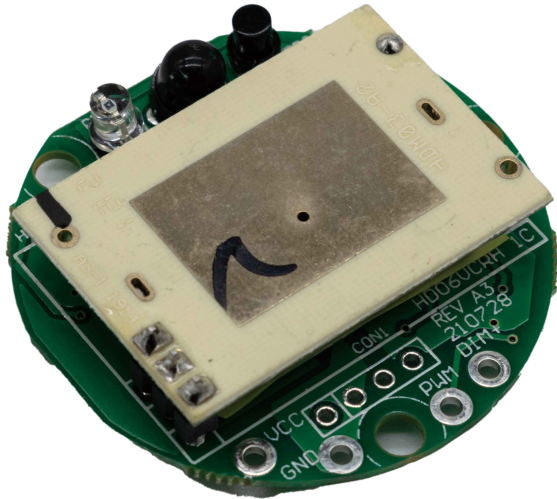


2. Rotate the lamp to the mounting pipe (rotate clockwise)



1. Tighten the screw

## OS MICROWAVE OCCUPANCY SENSOR



## RC (REMOTE CONTROL FOR MICROWAVE OCCUPANCY SENSOR)



## Electric Parameters

Working Voltage: AAA battery \* 2pcs (2.2-3V)

Screen OFF Duration: 60S

Icon Flicking Duration: 5S

S(start) button ON Duration: 10S

M(Memory) button Flicking Duration: 3S

Carrier Frequency: 38KHz±2KHz

Operation Distance Max. 15M/49ft (3V)

Emission Angle: < 30 degree

Standby Current: <1.2uA

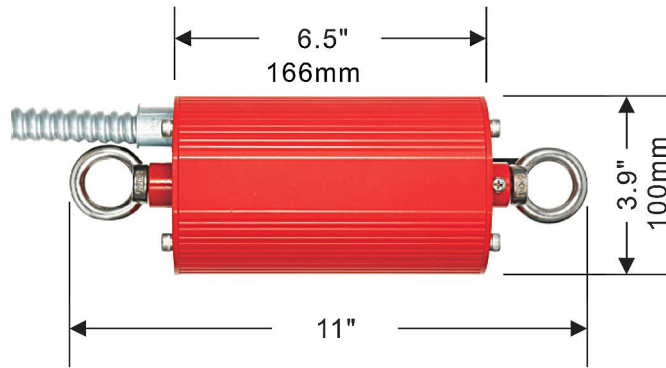
Working Current: <5mA

Peak Current: <30mA

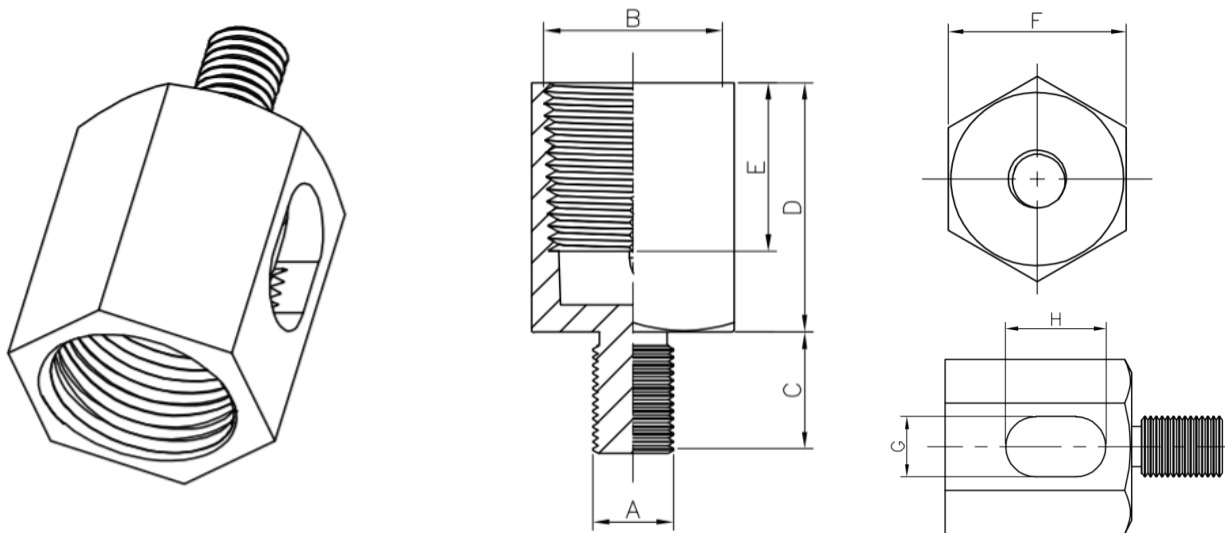
Working Temp: -20°C~+60°C

Storage Temp: -30°C~+85°C

## EB1 40W (CUNV) (External)



## ADAPTOR'S DIMENSION



UNIT: mm

A	B	C	D	E	F	G	H
	1/2"-14 NPT	18	37	25	30	13	23
M12X1.75 Adaptor	1/4"-14 NPT	18	37	25	25	13	23
	3/4"-14 NPT	18	37	25	30	12	20

UNIT: in

A	B	C	D	E	F	G	H
	1/2"-14 NPT	0.71	1.46	0.98	1.18	0.51	0.91
M12X1.75 Adaptor	1/4"-14 NPT	0.71	1.46	0.98	0.98	0.51	0.91
	3/4"-14 NPT	0.71	1.46	0.98	1.18	0.47	0.79