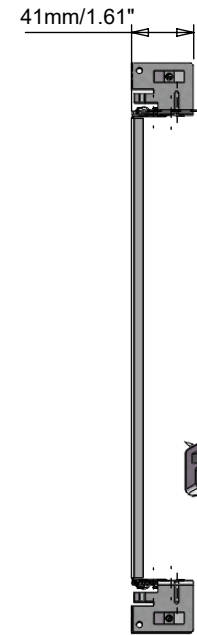


TOP VIEW

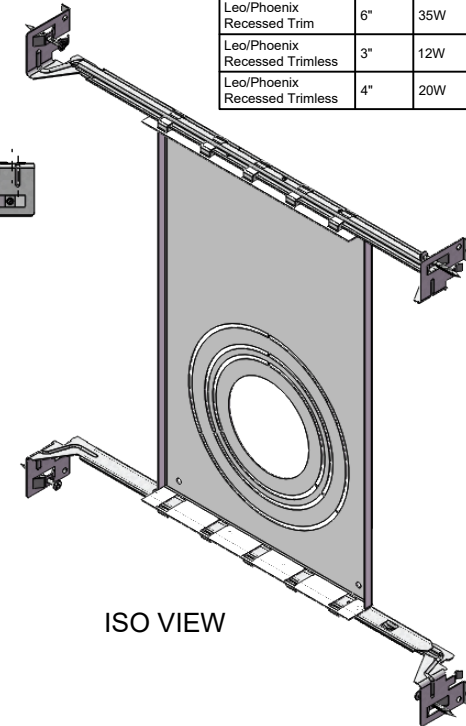


SIDE VIEW

SIDE VIEW



ISO VIEW



DOWNLIGHT PLATFORM ROUND DPR2			
MODEL	SIZE	WATTAGE	CUT-OFF SIZE (mm)
Jupiter	6"	20W/30W	150
Taurus	6"	20W/30W	150
Nash	3"	10W	75
Eclipse Asymmetrical Symmetrical Double Asymmetric Rectangular	3"	12W	75
Pluto	3"	7W	75
Pluto	4"	10W	105
Leo/Phoenix Recessed Trim	3"	12W	75-80
Leo/Phoenix Recessed Trim	4"	20W	105-110
Leo/Phoenix Recessed Trim	5"	30W	120
Leo/Phoenix Recessed Trim	6"	35W	150
Leo/Phoenix Recessed Trimless	3"	12W	75
Leo/Phoenix Recessed Trimless	4"	20W	105



TITLE: Downlight Platform Round DPR2

MATERIALS:

TOLERANCE UNLESS NOTED:

DATE: 07/23/2020
 SCALE: NTS
 REV No.: 1.0
 SHEET No.: 1 OF 1