

Description

The Doughnut ring light has a unique ring style light with an LED light source illuminating its full light distribution. It is available in sizes ranging from 15.7".(dia.) up to 70.9".(dia.). The body is composed of a solid polyethylene (PE) opaque diffuser .

Electrical Specifications

Wattage Options: 25W / 36W / 60W / 80W / 100W / 120W
CCT: 3000K / 4000K / 5000K
Efficacy: 105 LM/W
CRI: >90Ra
Operating Temperature: -20 ~ 40° C / -4 ~ 104°F
Available Voltages: 120-277VAC (UNV)
0-10V Dimming Standard
LM80

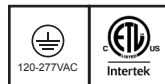
Application



Certifications and Warranty

ETL listed with 5 year warranty

DOUGHNUT SERIES



25W

Product Information

25W

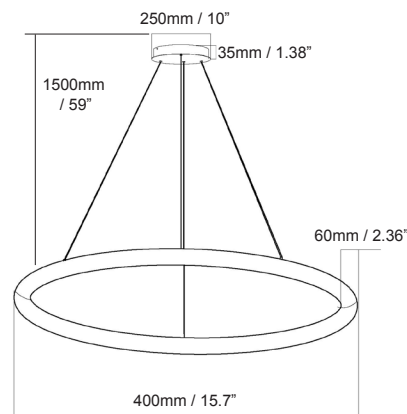
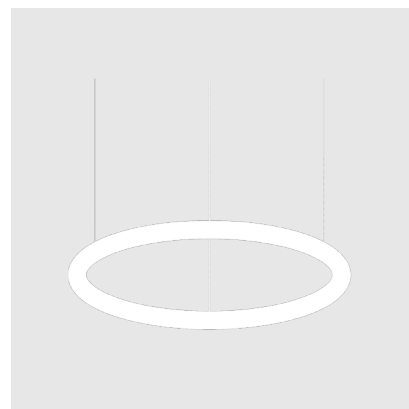
Installation:	Suspended
Material:	Polyethylene
Finish:	White
System power (W):	25
Fixture lumen output (lm):	2625
System efficiency (lm/W):	105

Packaging

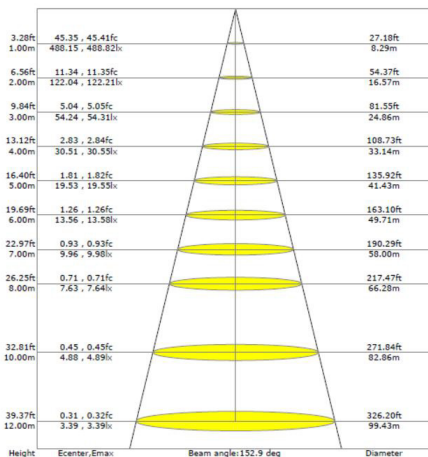
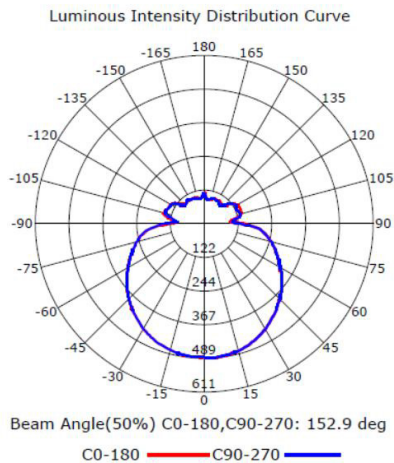
Net weight lamp (kg/lb):	2 / 4.4
Gross weight carton (kg/lb):	4.5 / 9.92
Master carton dimensions (mm/in):	530 x 530 x 185 / 20.87 x 20.87 x 7.28
Quantity per carton:	1

Code composition

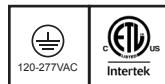
Series	Model	Size	Mounting	Wattage-Lumens
DR Decorative	DN Doughnut	16 15.7" (400mm)	SP Suspended (standard)	25W-26.25L 25W-2625lm



CCT	CRI	Voltage	Dimming	Colour
30K 3000K	90 90+	UNV 120-277V	D 0-10V Dimming (Standard)	WH White (Standard)
40K 4000K				
50K 5000K				



DOUGHNUT SERIES



36W

Product Information

36W

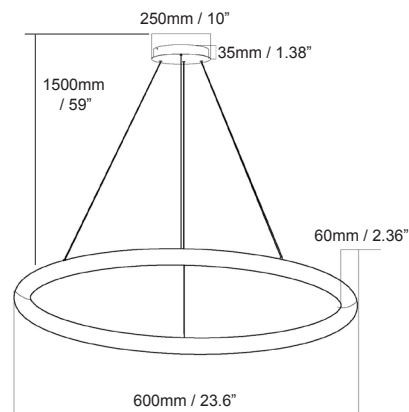
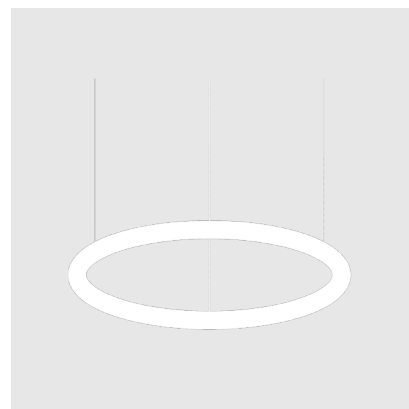
Installation:	Suspended
Material:	Polyethylene
Finish:	White
System power (W):	36
Fixture lumen output (lm):	3780
System efficiency (lm/W):	105

Packaging

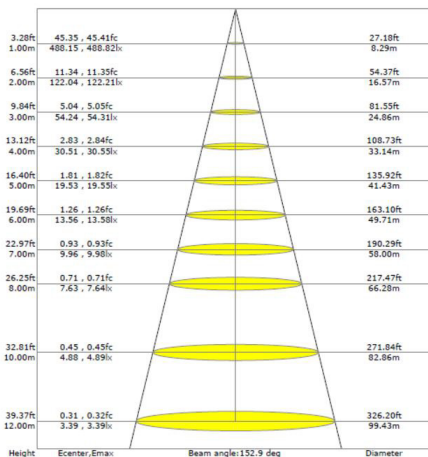
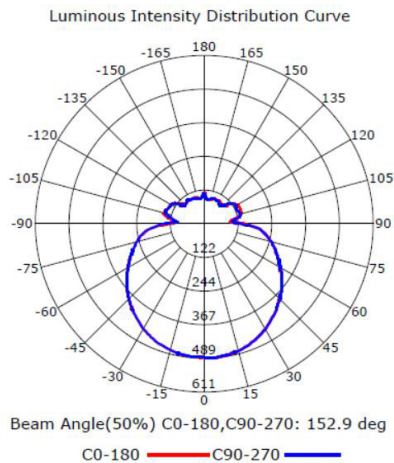
Net weight lamp (kg/lb):	2.7 / 5.73
Gross weight carton (kg/lb):	5.5 / 12.13
Master carton dimensions (mm/in):	750 x 750 x 185 / 29.53 x 29.53 x 7.23
Quantity per carton:	1

Code composition

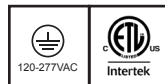
Series	Model	Size	Mounting	Wattage-Lumens
DR Decorative	DN Doughnut	24 23.6" (600mm)	SP Suspended (standard)	36W-37.8L 36W-3780lm



CCT	CRI	Voltage	Dimming	Colour
30K 3000K	90 90+	UNV 120-277V	D 0-10V Dimming (Standard)	WH White (Standard)
40K 4000K				
50K 5000K				



DOUGHNUT SERIES



60W

Product Information

60W

Installation:	Suspended
Material:	Polyethylene
Finish:	White
System power (W):	60
Fixture lumen output (lm):	6300
System efficiency (lm/W):	105

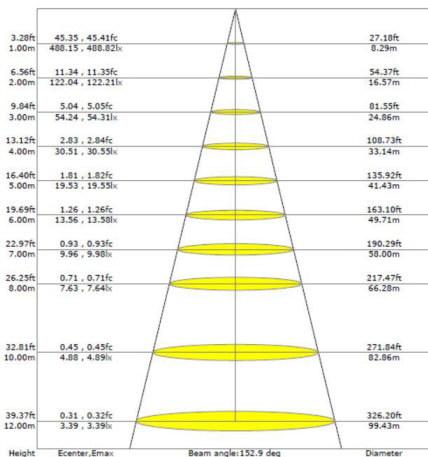
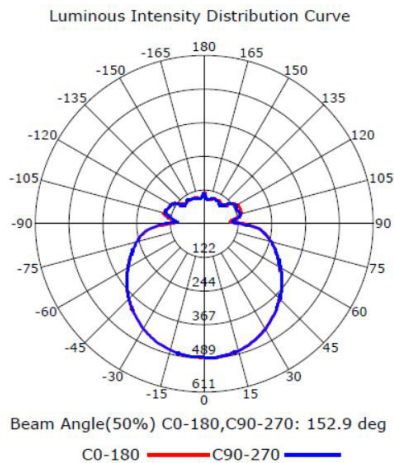
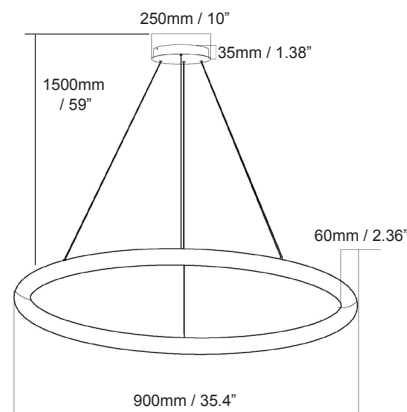
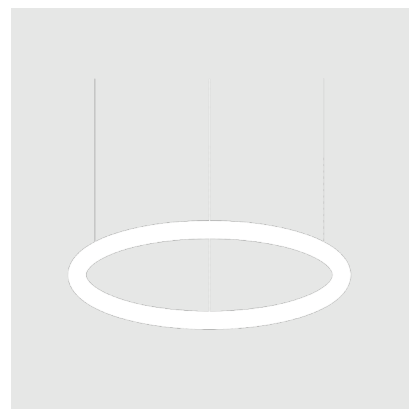
Packaging

Net weight lamp (kg/lb):	3.9 / 8.6
Gross weight carton (kg/lb):	9.4 / 20.72
Master carton dimensions (mm/in):	1050 x 1050 x 195 / 41.34 x 41.34 x 7.68
Quantity per carton:	1

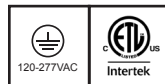
Code composition

Series	Model	Size	Mounting	Wattage-Lumens
DR Decorative	DN Doughnut	35 35.4" (900mm)	SP Suspended (standard)	60W-63L 60W-6300lm

CCT	CRI	Voltage	Dimming	Colour
30K 3000K	90 90+	UNV 120-277V	D 0-10V Dimming (Standard)	WH White (Standard)
40K 4000K				
50K 5000K				



DOUGHNUT SERIES



80W

Product Information

80W

Installation:	Suspended
Material:	Polyethylene
Finish:	White
System power (W):	80
Fixture lumen output (lm):	8400
System efficiency (lm/W):	105

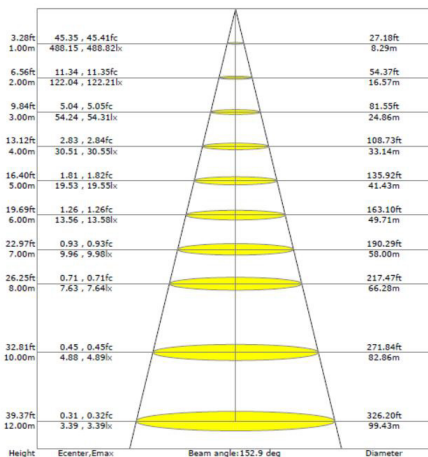
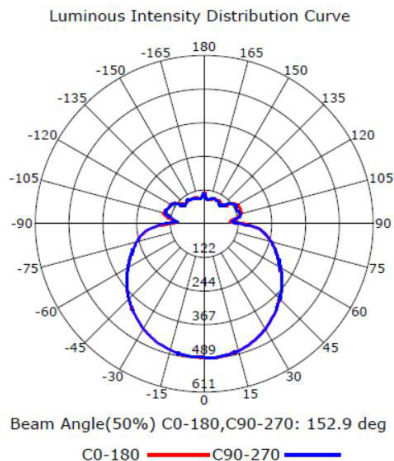
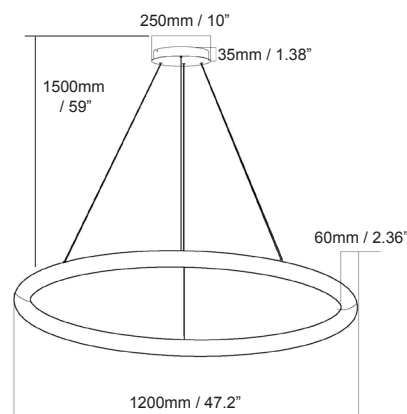
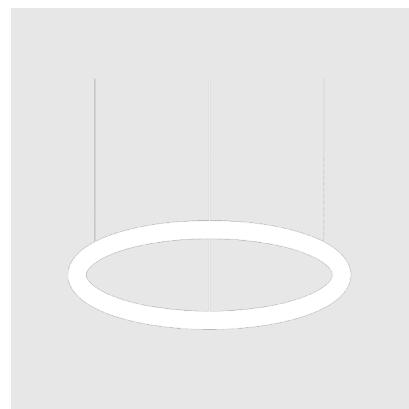
Packaging

Net weight lamp (kg/lb):	5.1 / 11.24
Gross weight carton (kg/lb):	13.8 / 30.43
Master carton dimensions (mm/in):	1320 x 1320 x 195 / 51.97 x 51.97 x 7.68
Quantity per carton:	1

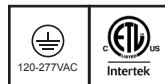
Code composition

Series	Model	Size	Mounting	Wattage-Lumens
DR Decorative	DN Doughnut	47 47.2" (1200mm)	SP Suspended (standard)	80W-84L 80W-8400lm

CCT	CRI	Voltage	Dimming	Colour
30K 3000K	90 90+	UNV 120-277V	D 0-10V Dimming (Standard)	WH White (Standard)
40K 4000K				
50K 5000K				



DOUGHNUT SERIES



100W

Product Information

100W

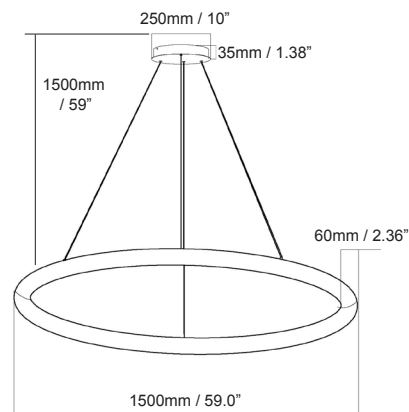
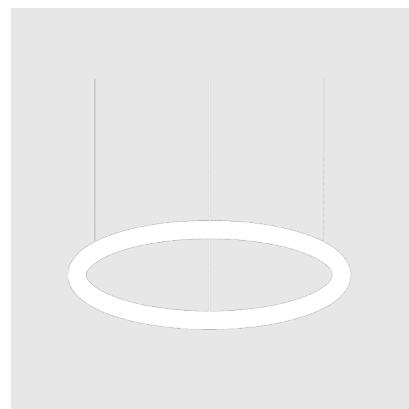
Installation:	Suspended
Material:	Polyethylene
Finish:	White
System power (W):	100
Fixture lumen output (lm):	10500
System efficiency (lm/W):	105

Packaging

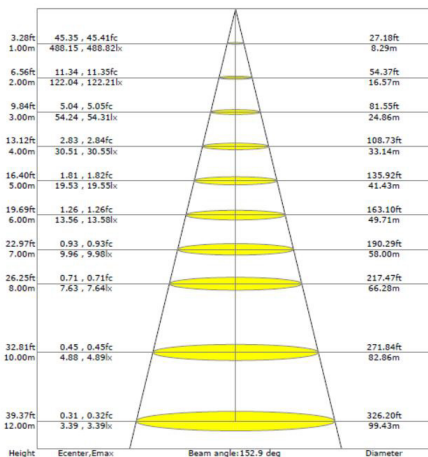
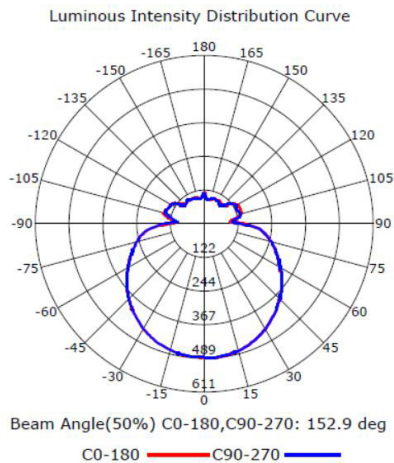
Net weight lamp (kg/lb):	6.0 / 13.23
Gross weight carton (kg/lb):	17.0 / 37.48
Master carton dimensions (mm/in):	1630 x 1630 x 185 / 64.17 x 64.17 x 7.28
Quantity per carton:	1

Code composition

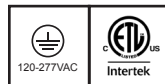
Series	Model	Size	Mounting	Wattage-Lumens
DR Decorative	DN Doughnut	59 59.0" (1500mm)	SP Suspended (standard)	100W-105L 100W-10500lm



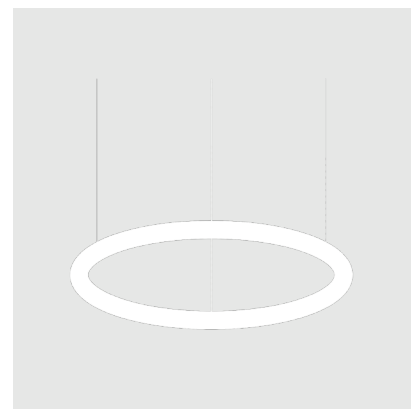
CCT	CRI	Voltage	Dimming	Colour
30K 3000K	90 90+	UNV 120-277V	D 0-10V Dimming (Standard)	WH White (Standard)
40K 4000K				
50K 5000K				



DOUGHNUT SERIES



120W



Product Information

120W

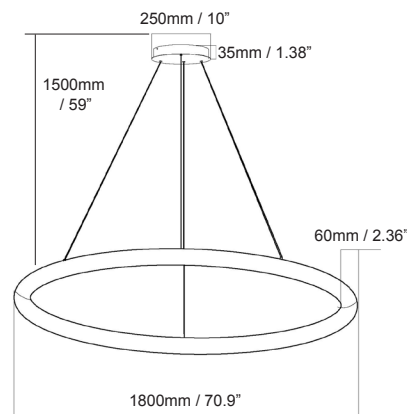
Installation:	Suspended
Material:	Polyethylene
Finish:	White
System power (W):	120
Fixture lumen output (lm):	12600
System efficiency (lm/W):	105

Packaging

Net weight lamp (kg/lb):	8.0 / 17.64
Gross weight carton (kg/lb):	23 / 50.71
Master carton dimensions (mm/in):	1930 x 1930 x 185 / 75.98 x 75.98 x 7.28
Quantity per carton:	1

Code composition

Series	Model	Size	Mounting	Wattage-Lumens
DR Decorative	DN Doughnut	71 70.9" (1800mm)	SP Suspended (standard)	120W-126L 120W-12600lm



CCT	CRI	Voltage	Dimming	Colour
30K 3000K	90 90+	UNV 120-277V	D 0-10V Dimming (Standard)	WH White (Standard)
40K 4000K				
50K 5000K				

