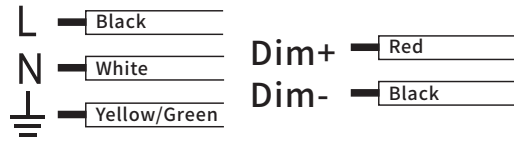
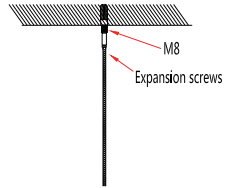
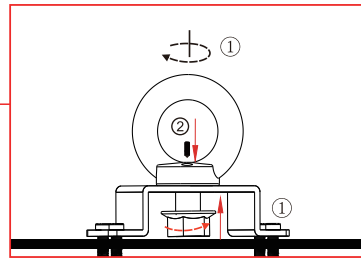
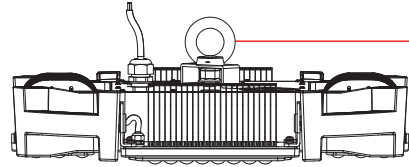


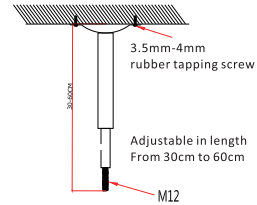
Installation Steps



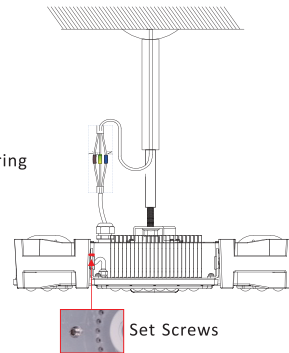
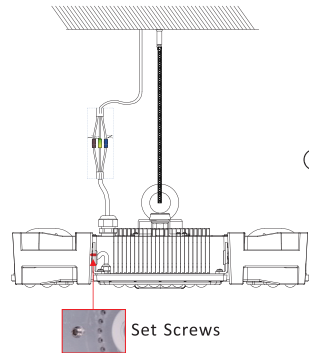
- 1 Install the O-rings and screw tight.
- 2 Screw in the M3, tightening until flush.



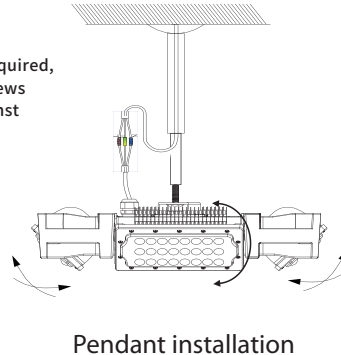
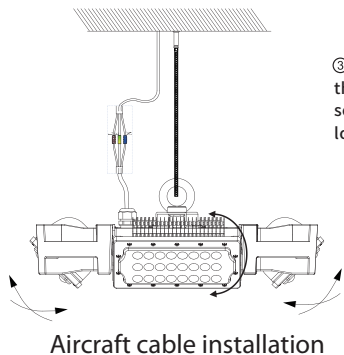
- 1 Install the cable/pendant



- 2 Install the fixture and wiring

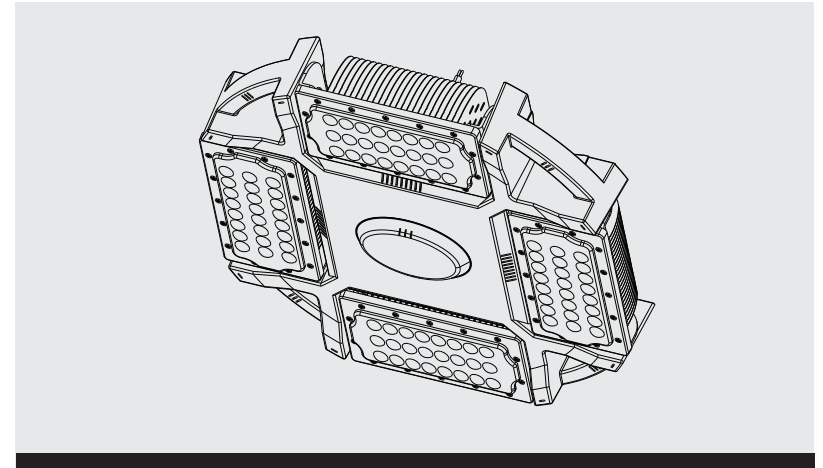


- 3 Adjust the angle as required, then tighten the set screws securely to protect against loosening



LUX LOGIC
LIGHTING

Installation Instructions



LED High Bay Light

100W/150W/200W/240W/300W/400W/480W

Scope of Application

With unique high-brightness SMD chips, high-purity aluminium heatsinks, high-efficiency constant current and constant voltage power drivers, this LED high bay light is designed for high quality lighting for gas stations, exhibition halls, factories, highway toll stations, workshop, warehouses, stadiums, supermarkets and similar applications, etc.

Technical Parameters

CCT	2700-6500K	Power Factor	>0.95
CRI	Ra>70 / Ra>80	Working Life	50,000hours
IP Grade	IP 65	Rated Voltage	AC 100-240V 277V~, 50/60Hz
Beam Angle	60°/120° (100/150/200/240W)	Lamp Luminous Flux	160LM/W±5%
	30°/60°/90°/120° (300/400/480W)	Working Temperature	-40°C ~ 60°C

Lamp Power	Lamp Size (mm)	Lamp Luminous Flux	Net Weight (kg)
100W	429*429*159mm	16,000LM	4.5±5%
150W	429*429*159mm	24,000LM	4.5±5%
200W	429*429*159mm	32,000LM	5.3±5%
240W	429*429*159mm	38,400LM	5.3±5%
300W	429*429*225mm	48,000LM	7.1±5%
400W	429*429*225mm	64,000LM	7.4±5%
480W	429*429*225mm	76,800LM	7.4±5%

Trouble Shooting

- * Do not disassemble light without authorization.
- * Please report any abnormalities to the manufacturer.

Problem	Possible Cause	Solutions
LEDs stop working	The power line/plug is improperly connected.	Reconnect the power cable/plug.
	Power failure.	Check the circuit.
	Fault with LED driver.	Replace with new driver.
	Damage to LED chips.	Replace with new LEDs board.
LEDs flash on and off	The output of the driver is abnormal.	Replace with new driver.
	The LED chip breaks down.	Replace with new LED board.
	Voltage instability.	Power-off and check the power supply.

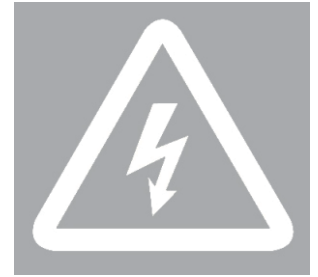
Warning



Follow The Installation Instructions



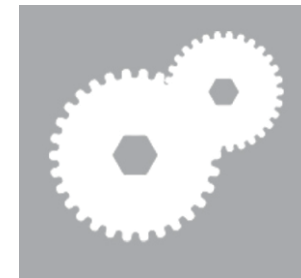
Certified Installer



No Live Line Work



Power-Off In Accident



Use Original Parts



Use Waterproof Wiring



Not Suitable For Underwater Use



-40°C~60°C Working Temperature



Keep Away From Chemical