



**Description**

The **Champion RGBW** LED Sports Flood Light is the ideal stadium light. This sports light packs a punch providing 150LM/W. It is available in 500W, 1000W and multiple beam angles. This fixture is waterproof (IP 66 rated), dust-proof, and provides superior thermal venting. Operating temperature -40° to 50°C (-40F to 122F). Standard dimming of 0-10V.

**Features**

With cold forging heat sinks, it has increased heat dissipation and a longer life for SD series sports lighting. The back cover has a cooling effect (the power is placed on the back cover, and the heat generated is conducted to the back cover to dissipate heat).

Available with Laser Aiming Device (LAD) precision control in angling and aiming each sport light to its exact optimal position.

The Champion RGBW boasts an efficacy of 150LM/W for both 500W and 1000W. Outputs will vary depending upon wattage, voltage, colour temperature and optics (beam angles). Please refer to our IES files on our website.

Certain custom optics are available for certain wattages. Please consult factory as MOQ's may apply.

All drivers 500-1000W are integral and IP66 Rated, with DMX function. Remote driver options are available. Please consult factory.

Custom length secondary cables (from driver to luminaire) complete with connections are available. Please consult factory.

**Electrical Specifications**

LED Type: Philips (Lumileds)/Osram	Power Factor: >0.95
LED Driver: Inventronics Driver, Rebirth-Road DMX decoder	Power Efficiency: 0.95
Maintenance @L70: 65,000 hrs	Operating Temperature: -40°C to 50°C / -40°F to 122°F
CRI: >70, CRI80 or 90 for optional	Available Voltages: 120-277VAC/277-480VA
THD: <15%	Length of power cable: 2m (6')
Dimming 0-10V standard	Standard surge protection 10KVA(Standard); 20KVA(Optional)

Please note: It is DMX control, driver can be integral or remote, please consult for details.

**Certifications and Warranty**

CE, cUL, FCCListed with 6 year warranty

**Yoke (Standard) Mounting Options**



**Slip Fitter Mounting Options**



**Visor (Included) Mounting Options**



# CHAMPION RGBW 500W



## Product Information

500W

Installation:	Yoke (standard) or Slip fitter
Material:	Cold forging aluminum
Finish:	Powder coat
System power (W):	500W
Fixture lumen output (lm):	75000
System efficiency (lm/W): 5000K	150
LED driver:	Inventronics - 2pc
LED engine:	Lumileds

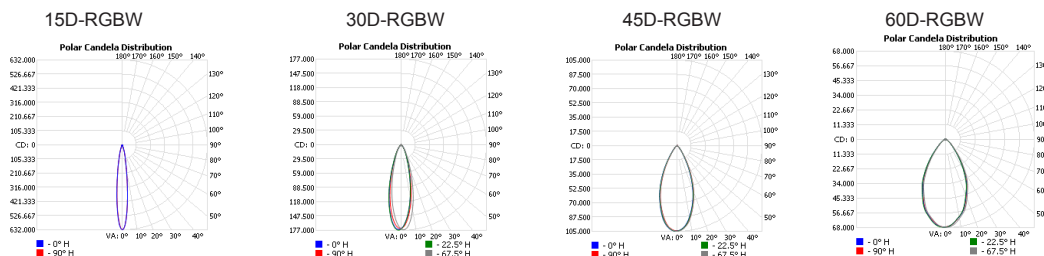
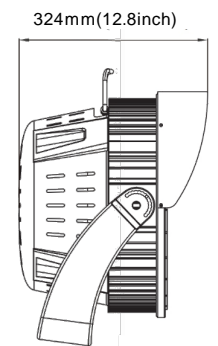
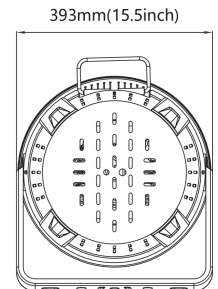
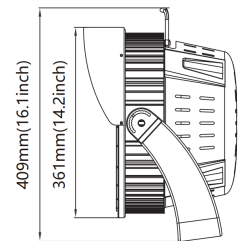
## Packaging

Net weight lamp (kg/lb):	15.20 / 33.51
Gross weight carton (kg/lb):	17.50 / 38.58
Master carton dimensions (mm/in):	557x433x367 / 21.9x17.1x14.5
Quantity per carton:	1

## Code composition

Series	Model	Mounting	Wattage-Lumens	Optics
SFL Sports Flood Light	CHRGBW Champion RGBW	YK Yoke (Standard)	500W-750L 500W-75000lm	15 15D
		SF Slip Fitter		30 30D
				45 45D
				60 60D

Color Temp.	Voltage	Dimming	Finish	Accessories
RGBW RGBW	UNV 120-277V	D 0-10V Dimming	BK Black	NA No Accessories
	277-480V			LAD Laser Aiming Device
				20SPD 20KV Surge Protection Device
				RMD Remote Driver



# CHAMPION RGBW 1000W



## Product Information

**1000W**

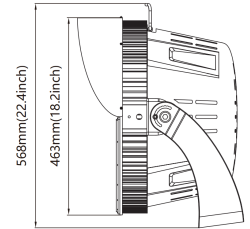
Installation:	Yoke (standard) or Slip fitter
Material:	Cold forging aluminum
Finish:	Powder coat
System power (W):	1000W
Fixture lumen output (lm):	150000
System efficiency (lm/W): 5000K	150
LED driver:	Inventronics - 4pc
LED engine:	Lumileds

## Packaging

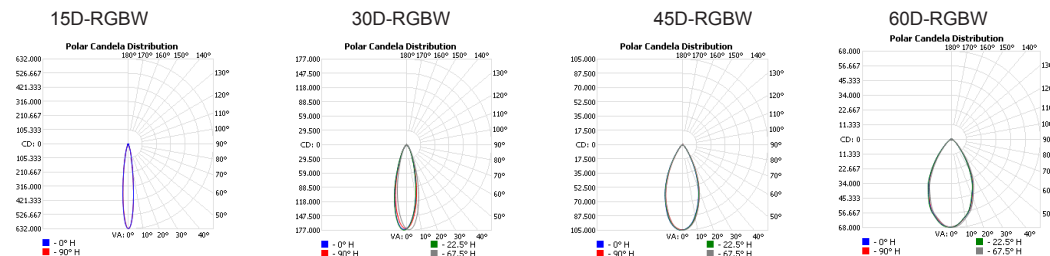
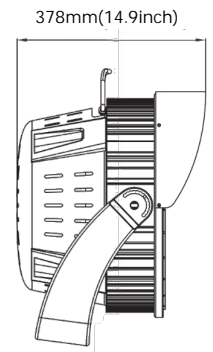
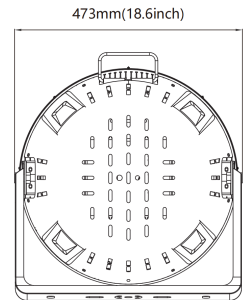
Net weight lamp (kg/lb):	22.00 / 48.50
Gross weight carton (kg/lb):	26.00 / 57.30
Master carton dimensions (mm/in):	646x546x380 / 25.4x21.5x15.0
Quantity per carton:	1

## Code composition

Series	Model	Mounting	Wattage-Lumens	Optics
SFL Sports Flood Light	CHRGBW Champion RGBW	YK Yoke (Standard)	1000W-1500L 1000W-150000lm	15 15D
		SF Slip Fitter		30 30D
				45 45D
				60 60D
80 80D				



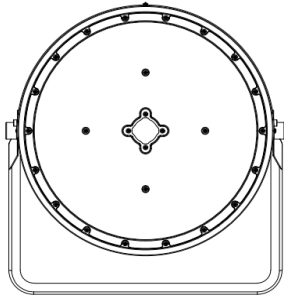
Color Temp.	Voltage	Dimming	Finish	Accessories
RGBW RGBW	UNV 100-277V	D 0-10V Dimming	BK Black	NA No Accessories
	HV 277-480V			LAD Laser Aiming Device
				20SPD 20KV Surge Protection Device
				RMD Remote Driver



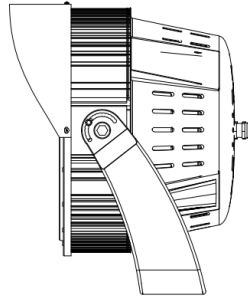
# CHAMPION RGBW

## EPA

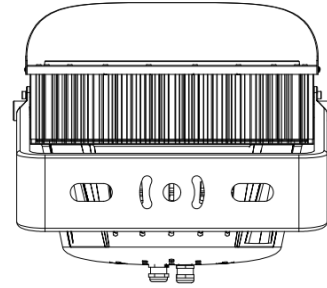
500W



Front EPA: 0.116m<sup>2</sup> | 1.25ft<sup>2</sup>

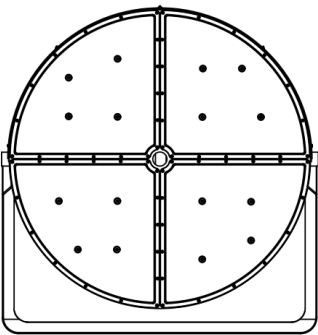


Side EPA: 0.106m<sup>2</sup> | 1.14ft<sup>2</sup>

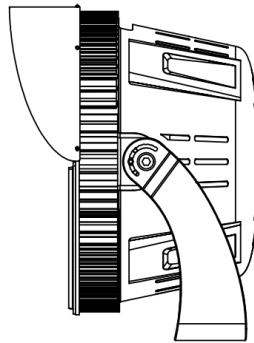


Side EPA: 0.131m<sup>2</sup> | 1.41ft<sup>2</sup>

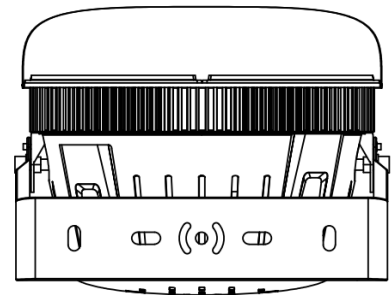
1000W



Front EPA: 0.187m<sup>2</sup> | 2.01ft<sup>2</sup>



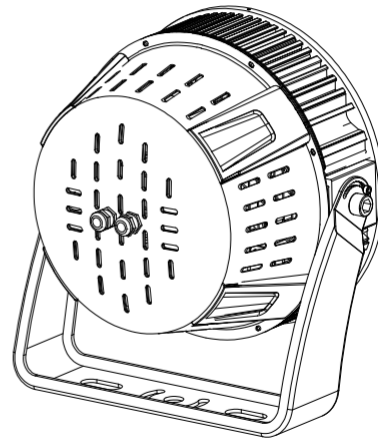
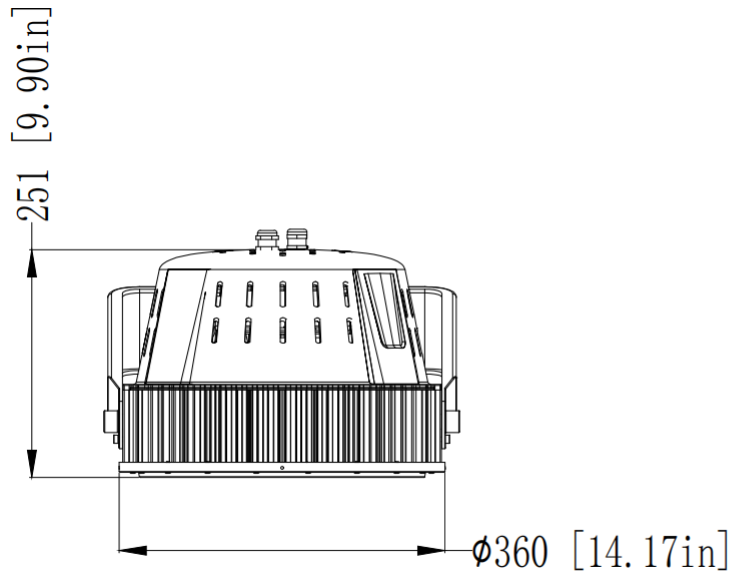
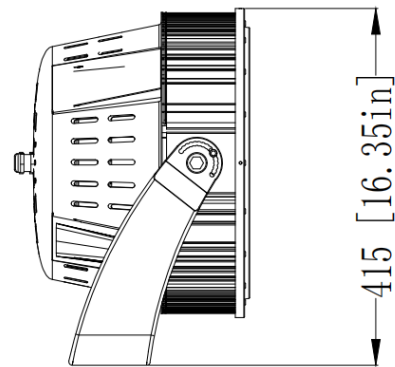
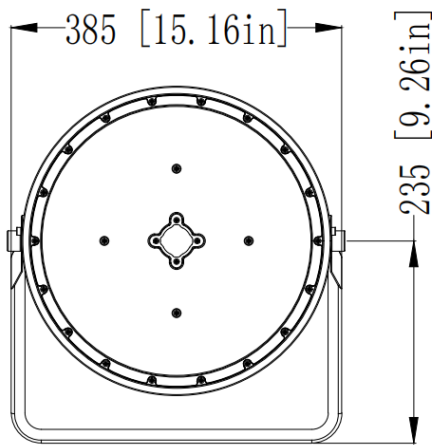
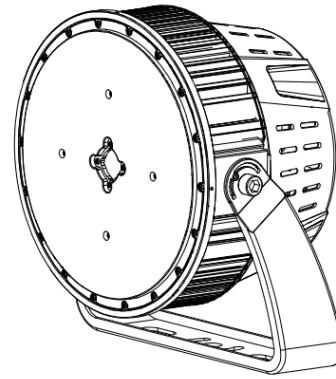
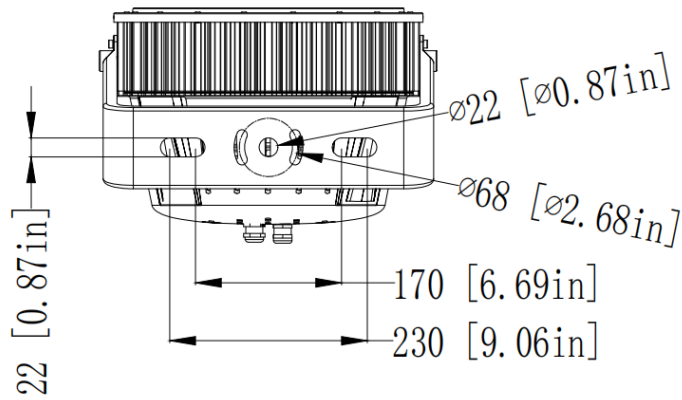
Side EPA: 0.157m<sup>2</sup> | 1.69ft<sup>2</sup>



Side EPA: 0.180m<sup>2</sup> | 1.94ft<sup>2</sup>

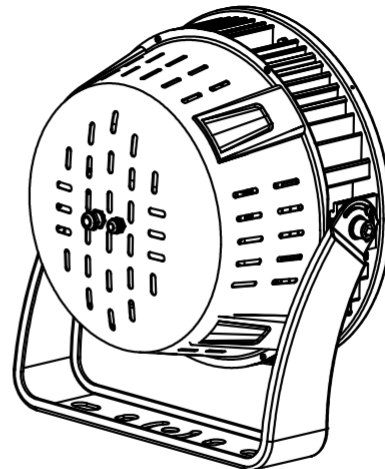
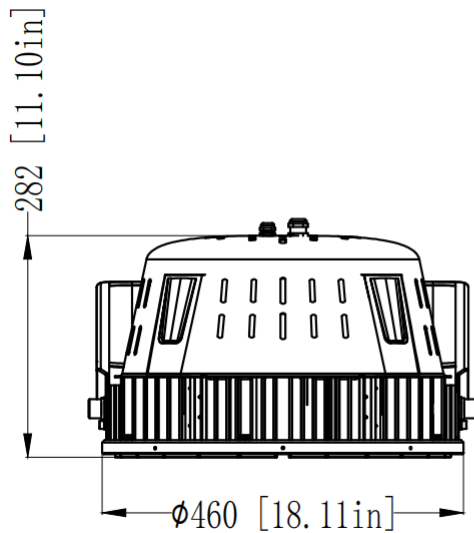
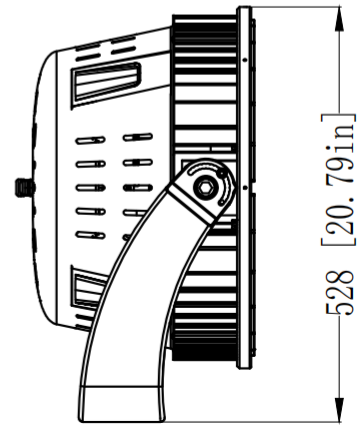
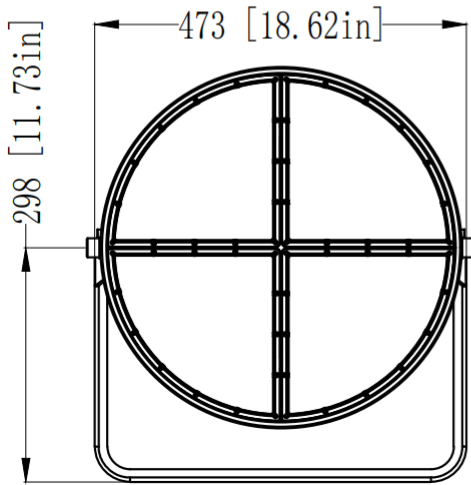
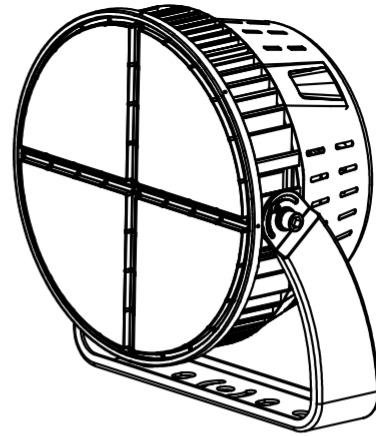
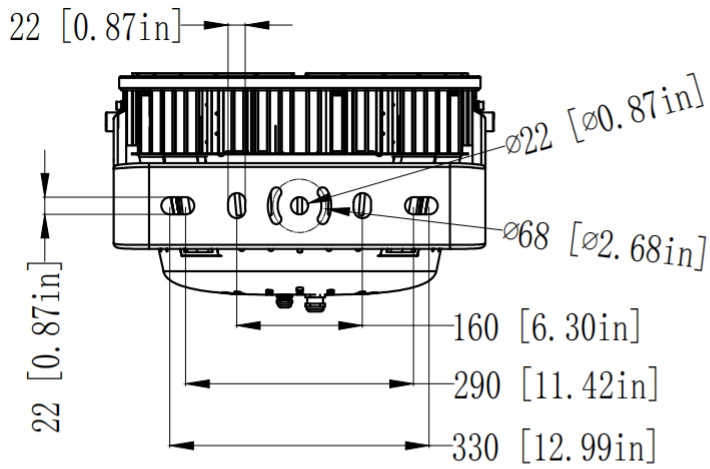
# CHAMPION RGBW

YOKE DIMENSIONS (mm/inch)  
500W



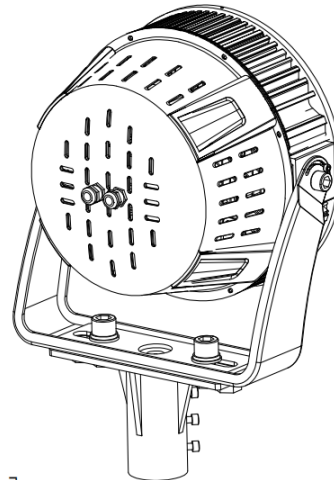
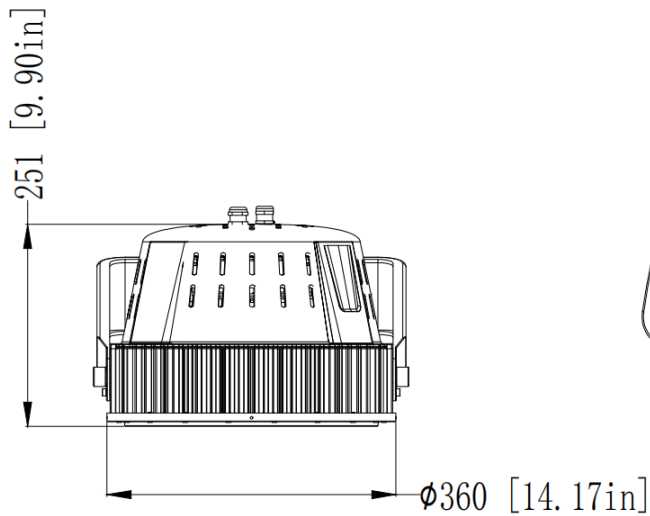
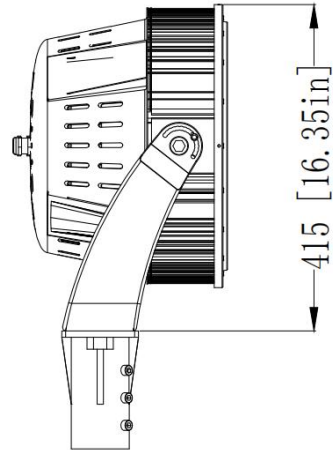
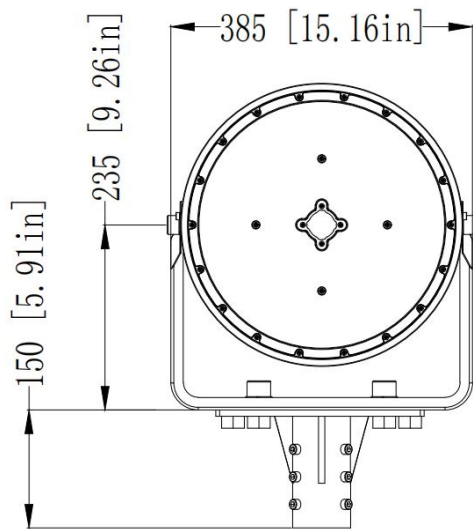
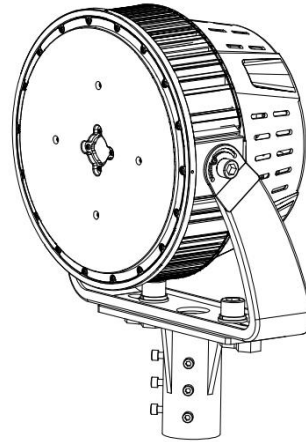
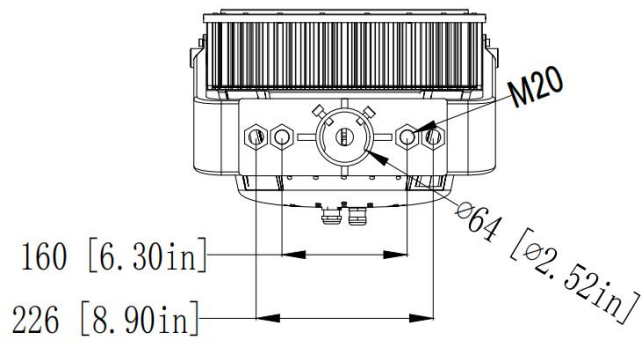
# CHAMPION RGBW

YOKE DIMENSIONS (mm/inch)  
1000W



# CHAMPION RGBW

SLIP FITTER DIMENSIONS (mm/inch)  
500W



# CHAMPION RGBW

SLIP FITTER DIMENSIONS (mm/inch)  
1000W

