

## INSTALLATION INSTRUCTIONS CHAMPION 2



### WARNINGS

**RISK OF ELECTRICAL SHOCK, FIRE, BURNS AND OTHER HAZARDS**



- This fixture must be installed, inspected and maintained by a qualified electrician in accordance with all National (NEC) or Canadian (CEC) and local electrical codes.
- Proper grounding is required to ensure personal safety.
- Before installation or maintenance of this product, ensure electricity is powered off at the main electrical panel.
- Before maintenance of this product ensure luminaire is allowed to cool for at least 30 minutes to avoid burns.
- Do not operate in ambient temperatures above those indicated on the luminaire data sheet.
- Aircraft safety cables to be used whenever possible.

### DISCLAIMER

Luxlogic Lighting Inc. assumes no liability for damages or losses of any kind that may arise from the improper installation, handling, storage, and/or maintenance of this product.

**WARNING: ALL ELECTRICAL CONNECTIONS MUST BE DONE BY A QUALIFIED ELECTRICIAN AND MUST BE MADE EXTERNAL TO THE FIXTURE/DRIVER COMPARTMENT. FAILURE TO DO SO VOIDS ALL WARRANTIES AND COULD RESULT IN COMPONENT DAMAGE AND PRE MATURE FIXTURE FAILURE.**

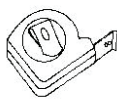
### PRE-INSTALLATION

1. Upon receipt, carefully open carton(s). Contact the vendor promptly to report any visible damages that may have occurred during shipping.
2. Confirm voltage on luminaire is consistent with the input voltage to be connected.
3. Confirm planned installation location is able to withstand at least 10x the weight of the luminaire. (see product specifications)
4. Ensure fixture will be installed in a level position, free from possible vibration and/or sway.

#### TOOLS YOU MAY NEED



GOGGLES



TAPE MEASURE



RUBBER GLOVES



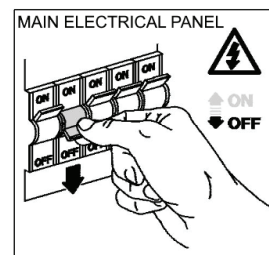
SCREW DRIVER



DRILL

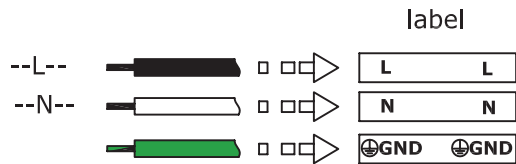


LADDER

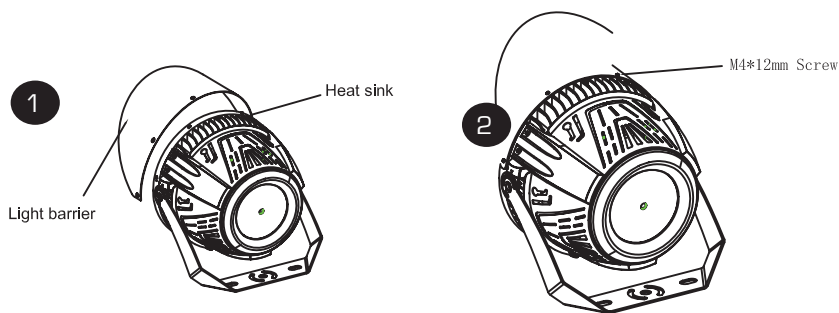


## INSTALLATION INSTRUCTIONS CHAMPION 2

### WIRING DIAGRAM

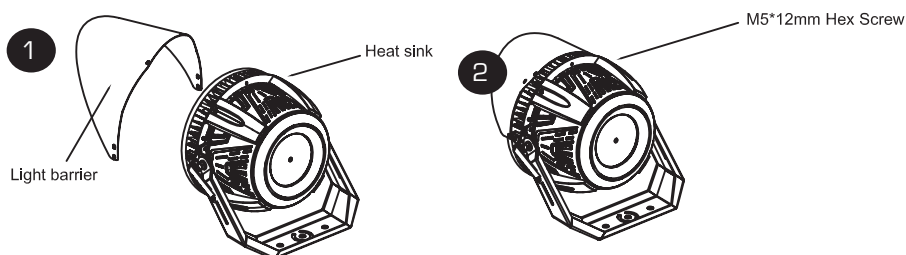


### VISOR INSTALLATION 400W/500W



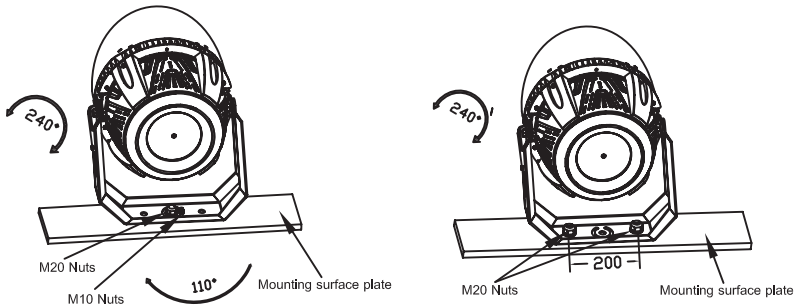
1. Place the visor on the lamp body.
2. Fasten visor to body using 5pcs of M4\*12mm screws provided

### 750W/1000W/1200W



1. Place the visor on the lamp body.
2. Fasten visor to body using 6pcs of M5\*12mm screws provided

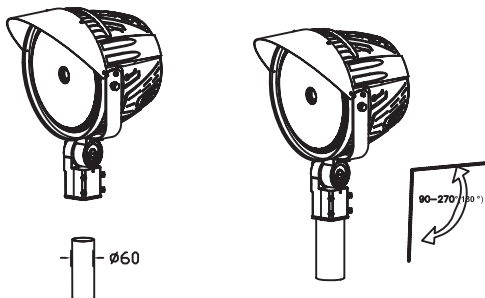
**YOKE MOUNT INSTALLATION**



1. Place fixture on installed stand.
2. Attach the fixture by loosely fastening with M20 and M10 screws
3. Adjust the bracket and fixture to desired position, using angle markings on yoke for horizontal aiming and angle markings on arm for tilt aiming (fig 1.)
4. Fully tighten screws to complete installation.



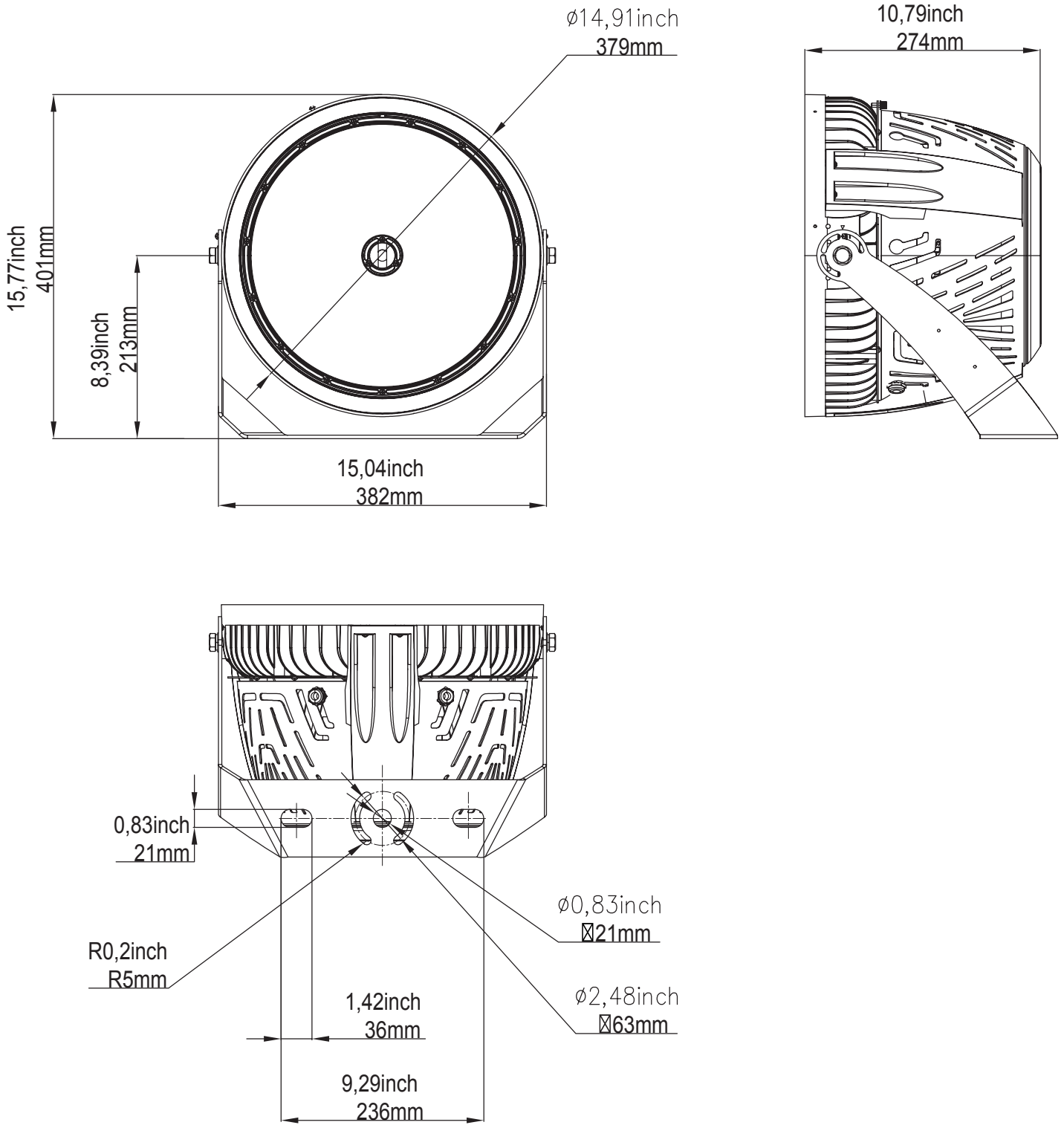
**SLIP FITTER INSTALLATION**



1. Place fixture on light pole.
2. Fasten the screws to attach slip fitter to pole.
3. Adjust fixture to desired angle.
4. Lock screws on slip fitter bracket.

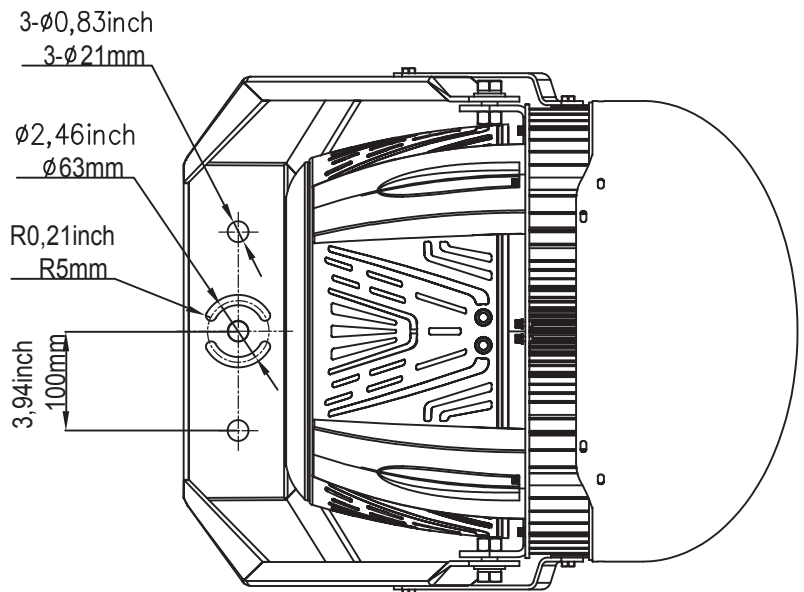
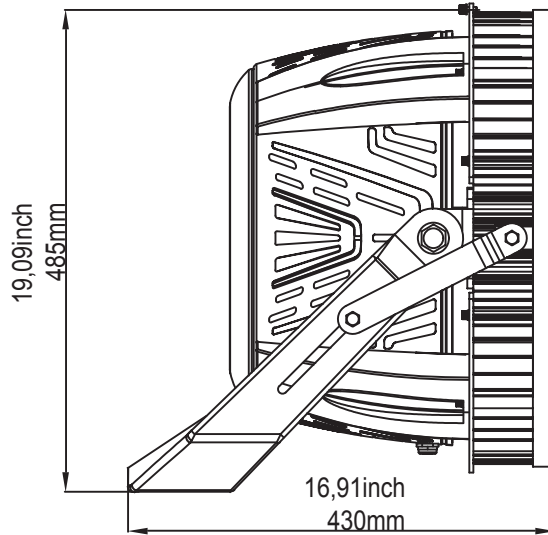
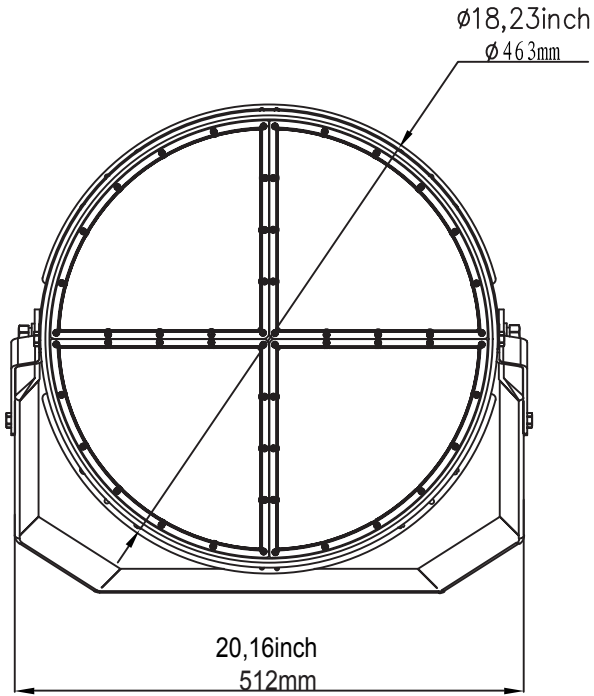
# CHAMPION 2

YOKE DIMENSIONS  
300-600W



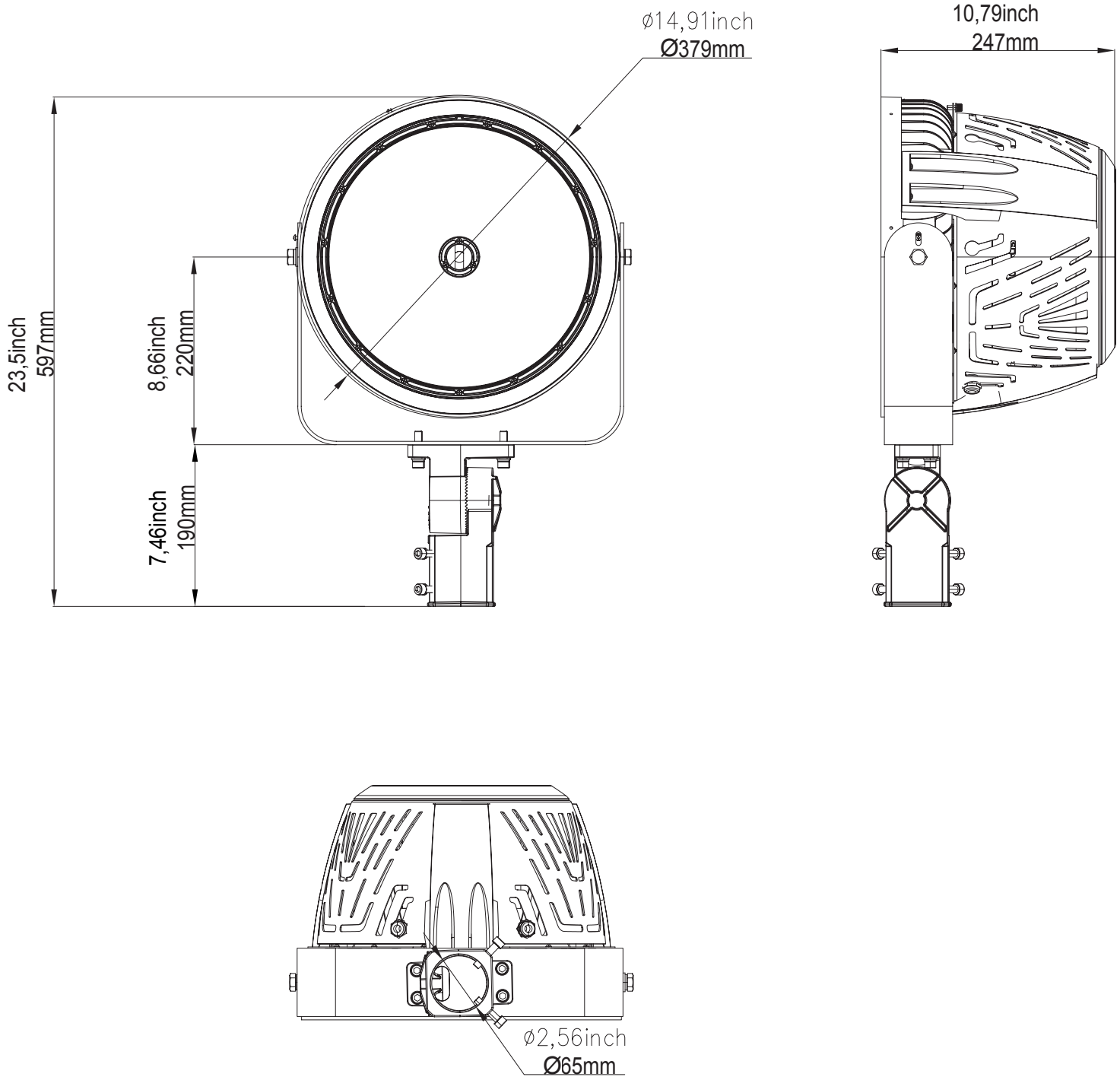
# CHAMPION 2

YOKE DIMENSIONS  
750-1250W



# CHAMPION 2

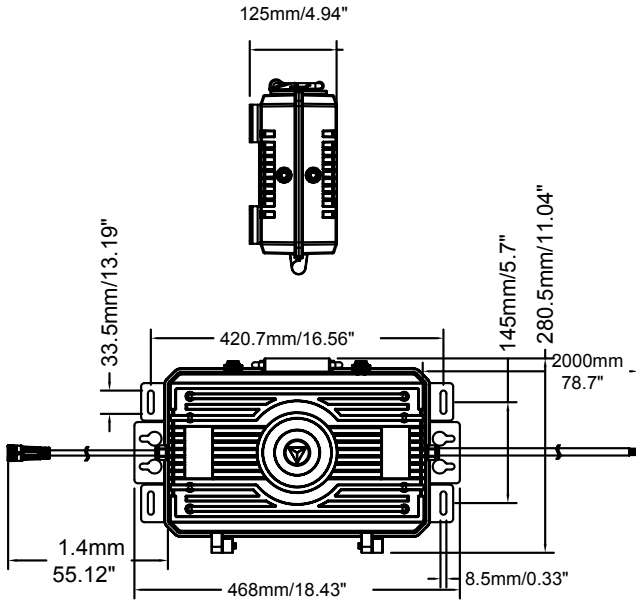
## SLIP FITTER DIMENSIONS



# CHAMPION 2

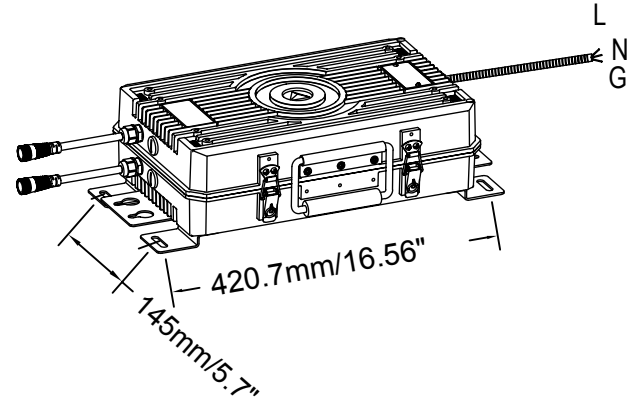
1200W ONLY

## DRIVER BOX DIMENSIONS

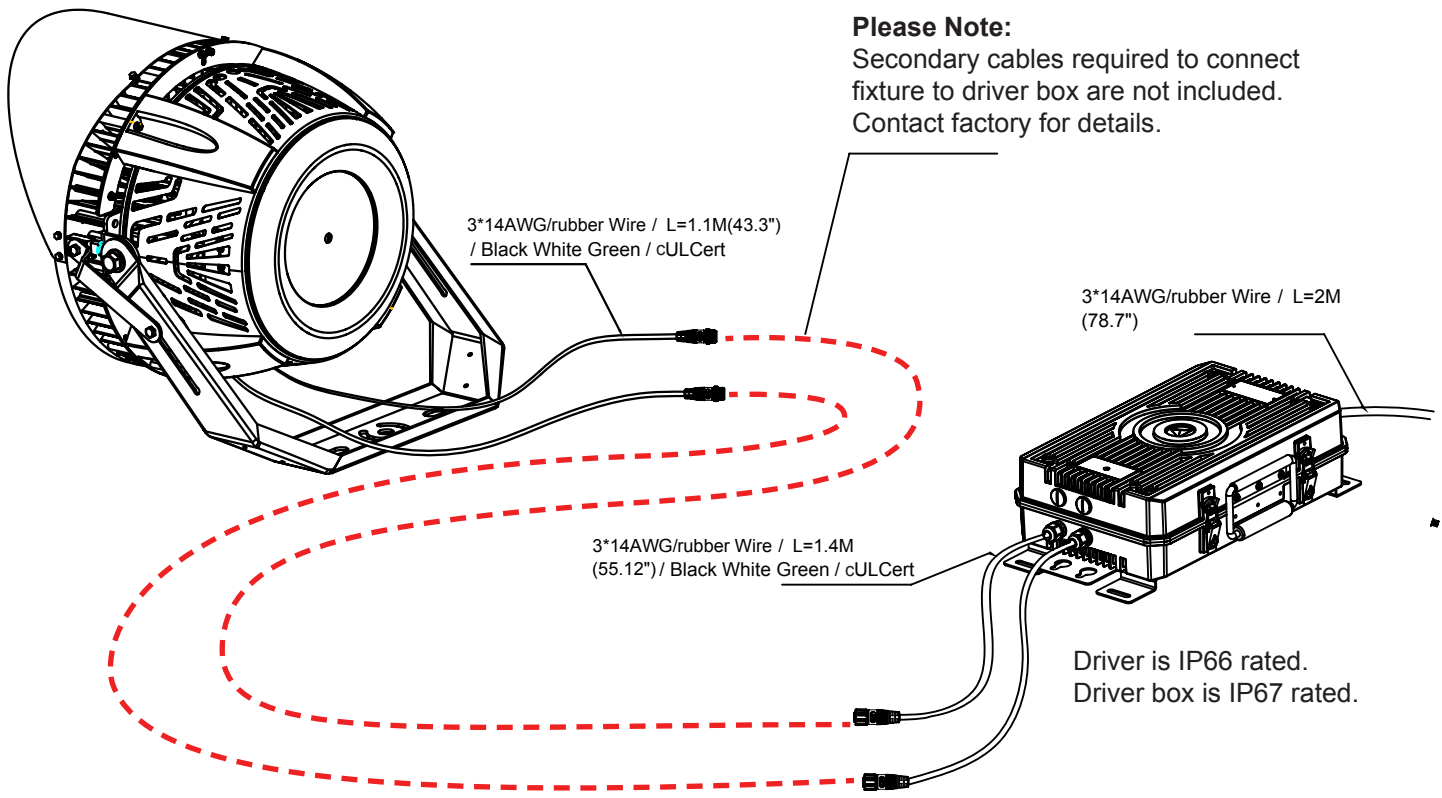


## DRIVER BOX INSTALLATION

1. Position the driver box on the pole.
2. Fasten driver box with M8 screws



## WIRING



## POST-INSTALLATION

1. Ensure all wires are properly connected before switching on the power at the main electrical panel.
2. Check orientation and tilt to ensure correct area is illuminated and not obstructed by pipes and/or other structures.
3. Confirm all luminaires have been installed as per engineer approved layouts.

