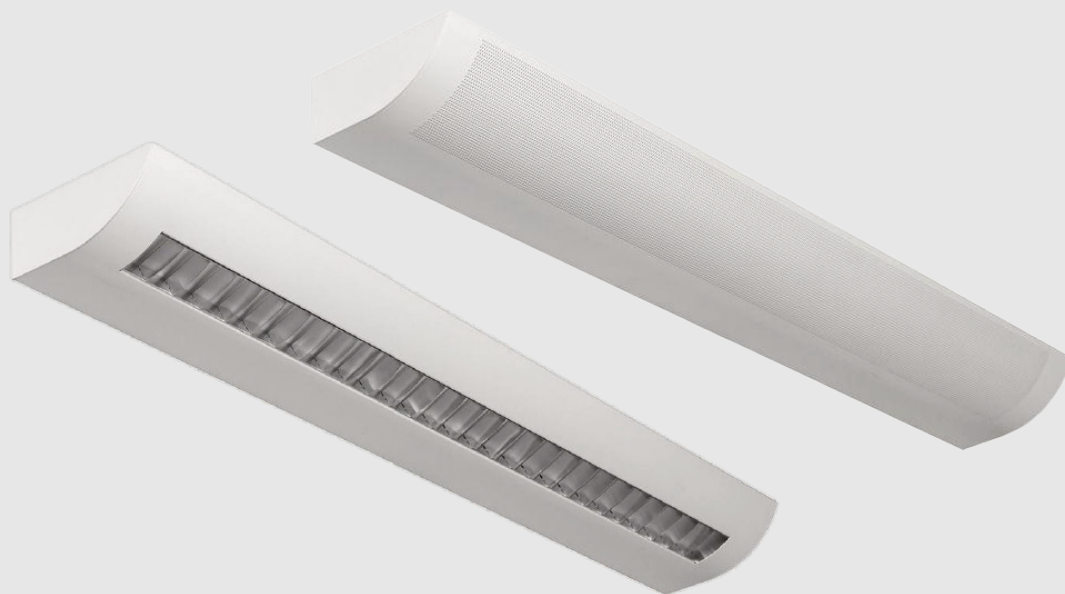


CASCADE

CCT SELECTABLE LINEAR



Description

The **CASCADE** is a **CCT SELECTABLE** LED linear fixture that is ideal for indoor environments such as assisted living and educational facilities, storage rooms, offices, conference rooms, reception areas, and hallways.

Features

High quality LED chips provide high efficiency, heat dissipation, stability, and lumen maintenance. Features field-selectable CCT options of 3500K / 4000K / 5000K. The Cascade comes in 2' and 4' lengths, with continuous run available. Perforation and louver types optional.

A continuous run, seamless connector is included.

Electrical Specifications

Available Wattages: 25W / 50W

CCTs: Selectable 3500K / 4000K / 5000K

Efficacy: 85LM/W (Perforated) | 100LM/W (Louver)

Lumen Maintenance (hrs): 50,000 Hours

CRI: >80Ra

Power Factor: >0.98

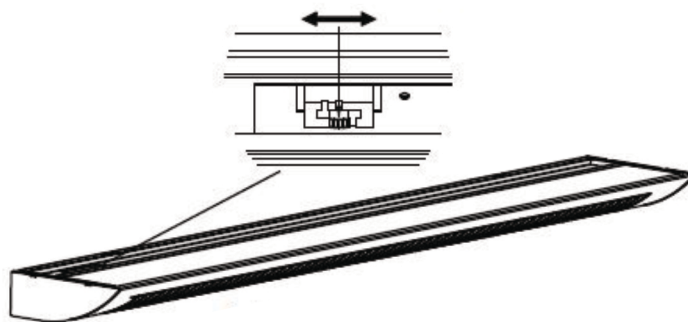
LM80

Dimming: Continuous 0-10V Dimming

Operating Temperature: -30 ~ 40° C / -22 ~ 104°F

Available Voltages: 120-347VAC (CUNV)

CCT SELECTABLE 3500K / 4000K / 5000K



Certifications and Warranty

5 year warranty

CASCADE

CCT SELECTABLE LINEAR



Product Information

25W

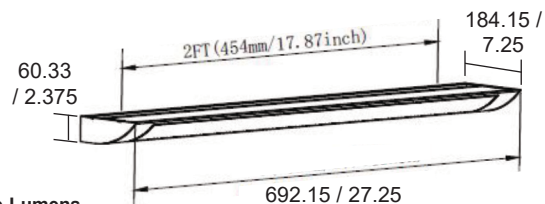
Installation:	Surface
Material:	Aluminum
Finish:	White
System power (W):	25W
Fixture lumen output (lm):	2,125 (Perforated) / 2,500 (Louver)
System efficiency (lm/W):	85 (Perforated) / 100 (Louver)
LED driver:	Beauty Power or Arcata
LED engine:	Runlite SMD2835

Packaging

New weight lamp (kg/lb):	8 / 17.64
Gross weight carton (kg/lb):	10 / 22.05
Master carton dimensions (mm/in):	650 x 415 x 255 / 25.59 x 16.34 / 10.04
Quantity per carton:	4

Code composition

Series	Model	Size	Mounting	Luminous Ways	Wattage-Lumens						
LN	Linear	CSP	Cascade Perforated	2F	2 Feet	WM	Wall Mount (Standard)	UD8	Up 80%, Down 20% (Perforated)	25W-21.25L	25W-2125lm (Perforated)
	CSL										



Beam Angle	CCT	CRI	Voltage	Dimming	Finish	Accessories							
90	90 Degrees	CCTS	3500K / 4000K / 5000K Selectable	80	80+	CUNV	120-347V	D	0-10V Dimming (Standard)	WH	White	NA	No Accessories
						BK	Black						



CASCADE

CCT SELECTABLE LINEAR



Product Information

50W

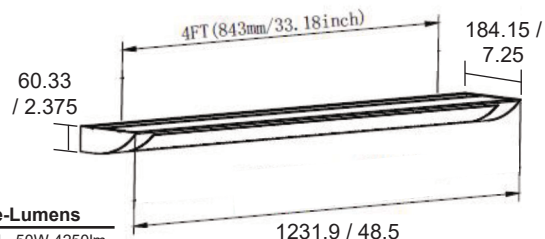
Installation:	Surface
Material:	Aluminum
Finish:	White
System power (W):	50W
Fixture lumen output (lm):	4,250 (Perforated) / 5,000 (Louver)
System efficiency (lm/W):	85 (Perforated) / 100 (Louver)
LED driver:	Beauty Power or Arcata
LED engine:	Runlite SMD2835

Packaging

New weight lamp (kg/lb):	10 / 22.05
Gross weight carton (kg/lb):	12 / 26.46
Master carton dimensions (mm/in):	1300 x 415 x 255 / 51.18 x 16.34 / 10.04
Quantity per carton:	4

Code composition

Series	Model	Size	Mounting	Luminous Ways	Wattage-Lumens						
LN	Linear	CSP	Cascade Perforated	4F	4 Feet	WM	Wall Mount (Standard)	UD8	Up 80%, Down 20% (Perforated)	50W-42.5L	50W-4250lm (Perforated)
	CSL									Cascade Louver	50W-50L



Beam Angle	CCT	CRI	Voltage	Dimming	Finish	Accessories							
90	90 Degrees	CCTS	3500K / 4000K / 5000K Selectable	80	80+	CUNV	120-347V	D	0-10V Dimming (Standard)	WH	White	NA	No Accessories
										BK	Black		

CASCADE

CCT SELECTABLE LINEAR

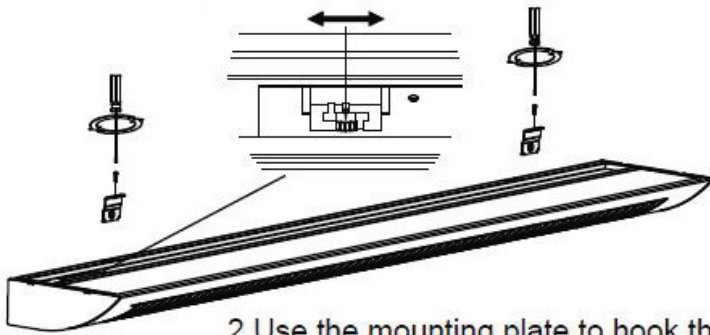
INSTALLATION

■ Wall Mounted



1. Screw the mounting plate on the wall first

3500K / 4000K / 5000K Selectable



2. Use the mounting plate to hook the fixture