

BAYLUX

CCT SELECTABLE LINEAR HIGH BAY



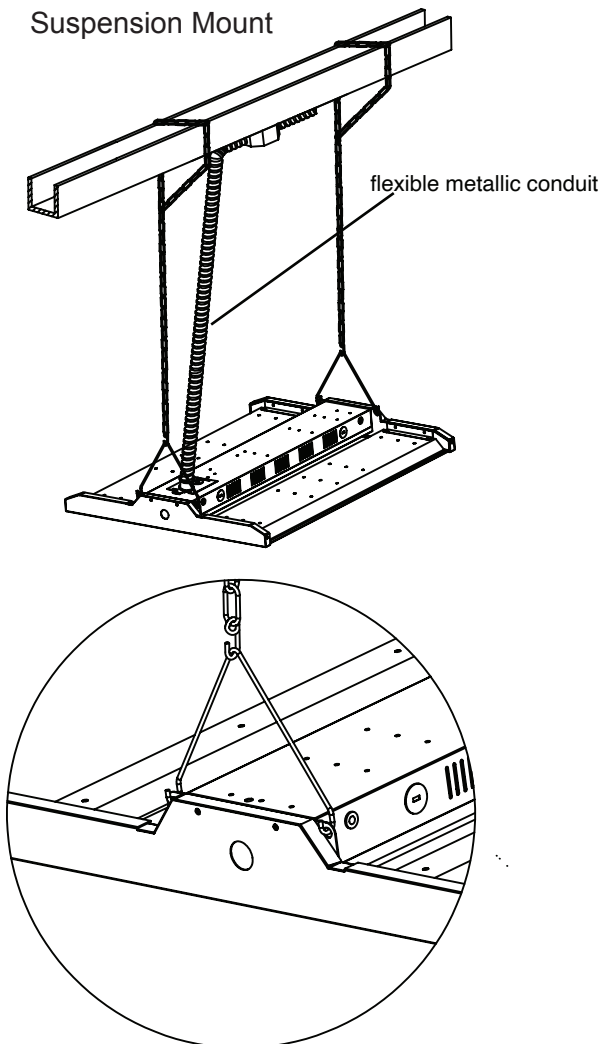
INSTALLATION INSTRUCTIONS

Always turn off the power supply from the main circuit breaker first!

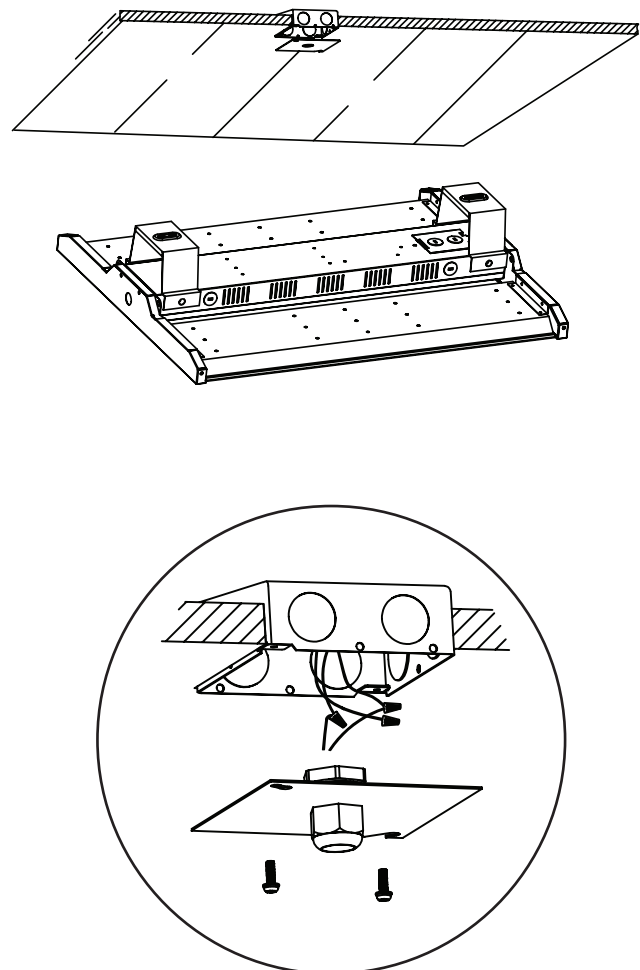
- Remove the new LED fixture from packaging and inspect for any damages. Handle new LED fixture with care.
- SUSPENSION MOUNT EXAMPLE: Install the chain into the provided wire hanger. Secure the other end of the chain to a structure using hardware rated for the load. Install the wire hanger onto the side of the top LED channel.
- Make sure the wiring hangers are fully engaged into the side holes on the top channel.
- Connect the LED high bay wiring to line wire, black to black, white to white, and green to green. Use only UL listed wiring.
NOTE: Purple and grey lead inside the driver compartment are 0-10V (low voltage) dimming leads. Connect to dimming low voltage wiring only.
- Clean all residues/fingerprints from the new LED high bay and lens. Double check all hanging hardware before moving onto the next step

Mounting Options

Suspension Mount



Surface Mount

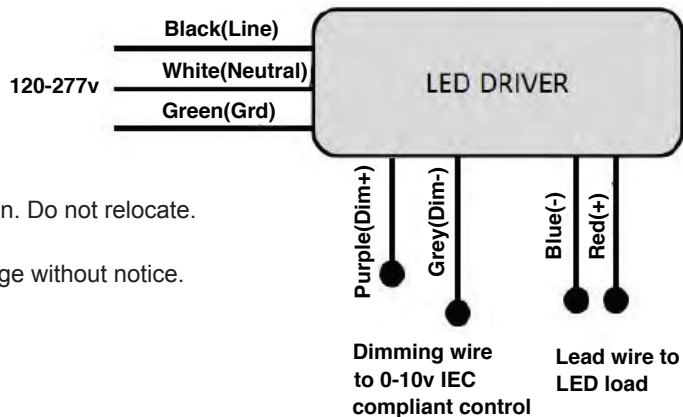


BAYLUX CCT SELECTABLE LINEAR HIGH BAY



INSTALLATION INSTRUCTIONS

General Wiring Diagram



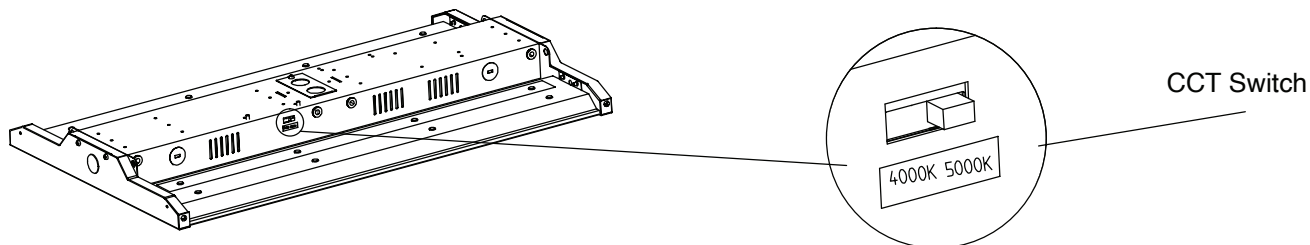
NOTICE: Green ground screw provided in proper location. Do not relocate.

NOTICE: Minimum 90° supply conductors.

NOTICE: Specifications and dimensions subject to change without notice.

NOTICE: Suitable for Dry or Damp location.

FIELD ADJUSTABLE CCT INSTALLATION



The end users may adjust the colour temperature by the DIP switch buttons integrated into the driver. The DIP switch is accommodated with 2 options (left and right), corresponding to 2 colour temperatures, which can provide the desired colour temperatures.

Factory Setting: 5000K

1. DIP switch is located onto the side of the fixture.
2. Select a colour temperature by sliding switch left or right to the desired value.