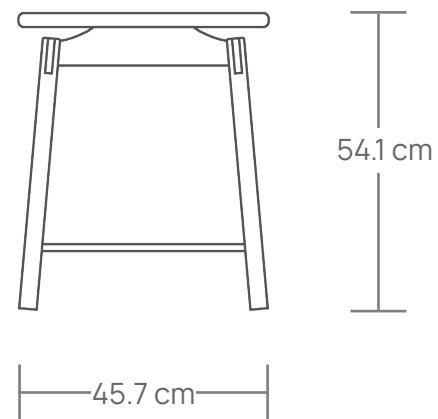
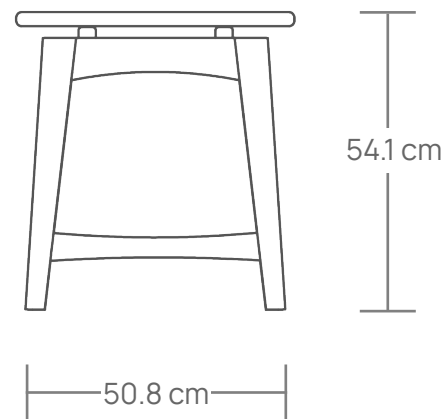




SVEND SIDE TABLE

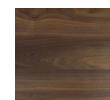
The Svend side table is a fine piece that can be a great complement to our other collections and pieces. Its design involves bridge joints and loose tenons to make up the overall structure; and the lower shelf also functions as part of the structure itself. Its aesthetic quality comes from the slight curves and inclined planes.

It can be made in any of our wood options. Featured here in White Oak and Teak.



WOOD OPTIONS

INTERIOR



Walnut



Red Oak



White Oak

EXTERIOR



Teak