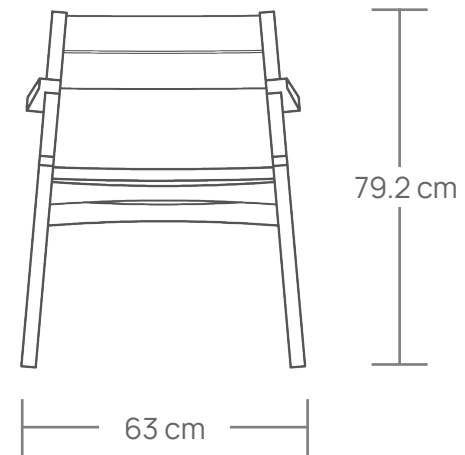
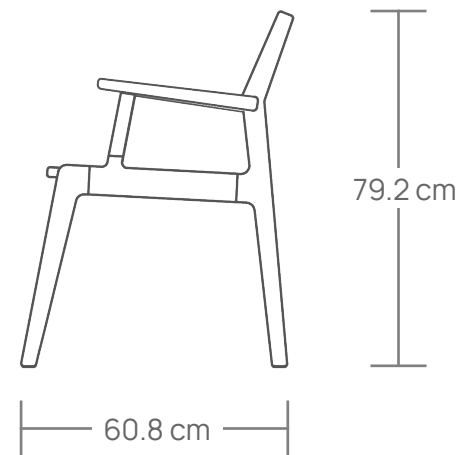




RENI CHAIR

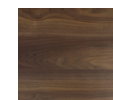
The Reni chair has become a classic piece amongst our designs. Bridle joints, mortise and tenon, dowels and loose tenons make up the structure of the chair. Its aesthetic quality is a result of our design and construction principles. It's more than just a chair.

It can be made in any of our wood options. Featured here in White Oak and Teak.



WOOD OPTIONS

INTERIOR



Walnut



Red Oak



White Oak

EXTERIOR



Teak