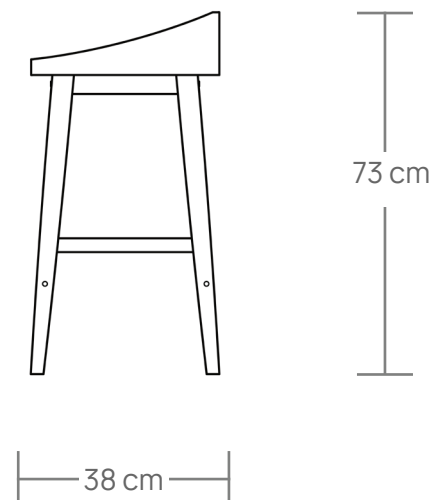
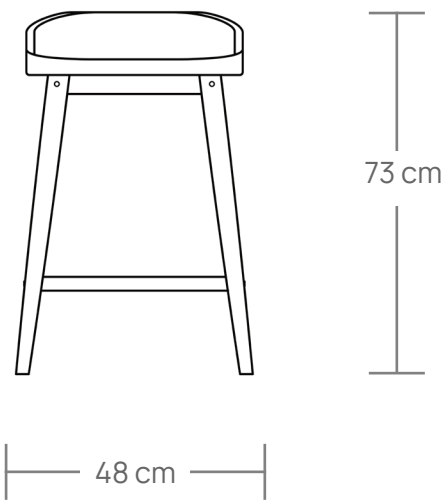




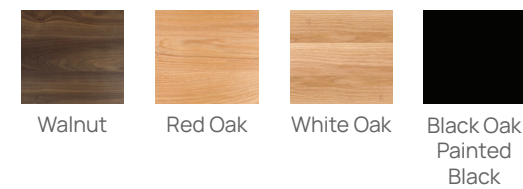
SKARA STOOL

Modern with a light aesthetic the Skara stool has the versatility to adapt to any space. The seat of the stool is made up of several glued boards which are power carved to make a comfortable and sturdy seating surface with an optional cushion. Its structure in its upper part has bridle joints reinforced with brass dowels and in the footrest mortise and tenons reinforced with brass dowels. The legs of the stool have a turned variable section and all of the stool is brushed with steel wire to enhance the wood grain. It can be made in any of our wood options. Featured here in red oak painted black.



WOOD OPTIONS

INTERIOR



UPHOLSTERY OPTIONS

LEATHER



FABRIC

