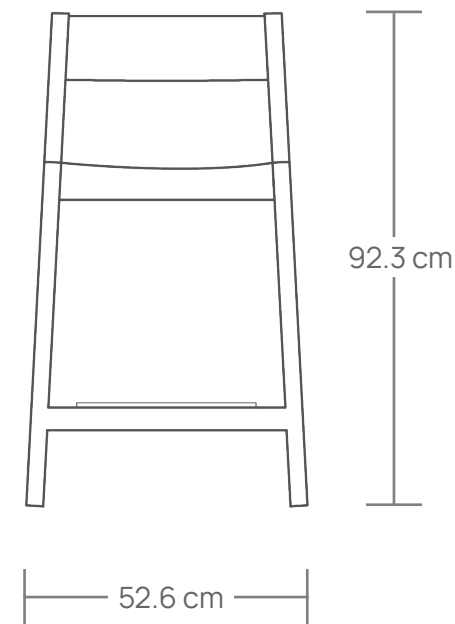
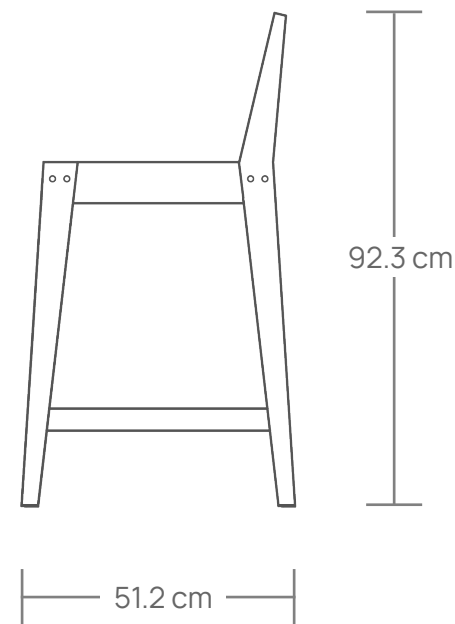




GYDA STOOL INTERIOR

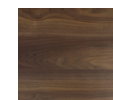
Clean lines and a firm structure define the Gyda Stool. It is carefully hand-built with bridle joints reinforced with brass dowels on the front legs and mortise and tenon joints on the back legs. The overall result is an elegant stool that will provide comfort and warmth. Designed and built to last.

It can be made in any of our wood options and we show only some of the different upholstery options available, so feel free to ask for other options.



WOOD OPTIONS

INTERIOR



Walnut



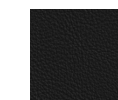
Red Oak



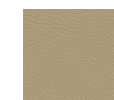
White Oak

UPHOLSTERY OPTIONS

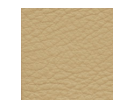
LEATHER



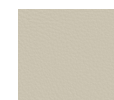
Black



Safari



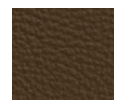
Sunshine



Mystic



Camel



Java

EXTERIOR



Teak

FABRIC



On07



Lin05



Cast



Best



Ba08



Asbo