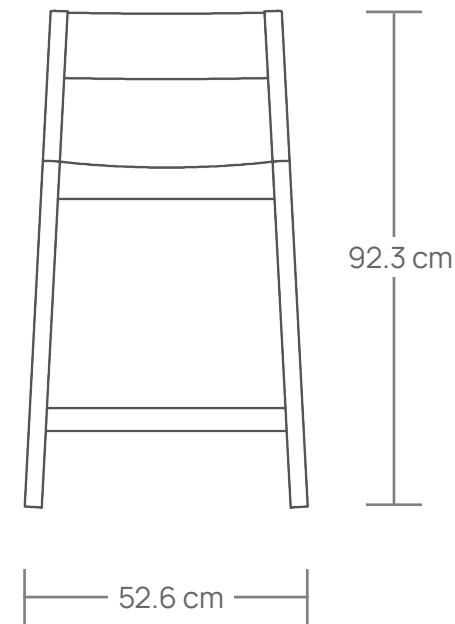
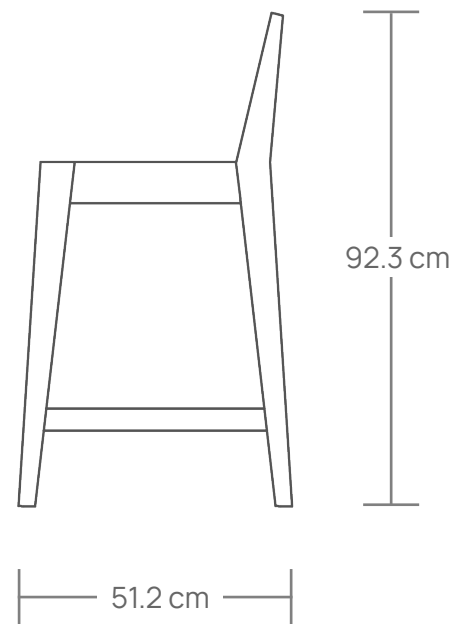




GYDA STOOL EXTERIOR

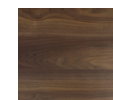
Clean lines and a firm structure define the Gyda Stool. It is carefully hand-built with bridle joints on the front legs and mortise and tenon joints on the back legs. The overall result is a unique stool that will provide comfort and warmth. Designed and built to last.

Even though it is designed for exterior spaces it can be made in any of our wood options. Featured here in Teak.



WOOD OPTIONS

INTERIOR



Walnut



Red Oak



White Oak

EXTERIOR



Teak