

# SUSPENDED PERMANENT MAGNET



## INDUSTRIES

- ▶ **Crushing/Screening**
- ▶ **Recycling**
- ▶ **Material/Mineral Processing**

## FUNCTION

Suspended above the conveyor, these magnets are designed to extract ferrous metals from a conveyed stream of materials.



## FEATURES AND BENEFITS

- High strength magnet
- Guaranteed performance
- Test certified
- Strong Magnetic Field
- Single or dual pole configuration
- Competitive pricing
- Fast delivery

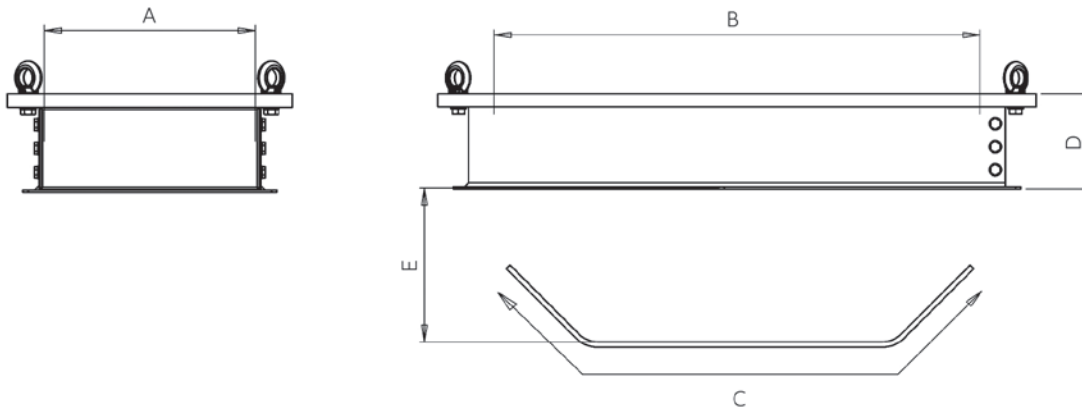
## SUSPENDED PERMANENT MAGNET RANGE

ConveyorTek manufacture a wide range of Suspended Permanent Magnets in various strengths achieving optimum extraction rates at operating gaps up to 400mm. Optional Stripper Plates are available to facilitate easy manual cleaning. Magnets in belt widths 400mm - 1500mm are available in both single or dual pole configuration. Larger and bespoke sizes are available up on request.



# SUSPENDED PERMANENT MAGNET

## TECHNICAL DATA



MODEL	Configuration	Type	A	B	C	D	E	Approx Weight (kgs)
			Magnet Width (mm)	Magnet Length (mm)	Conveyor Belt Width (mm)	Depth (mm)	Maximum Operating Gap* (mm)	
CORE100	Single	T1	400	450	600	133	200	149
		T2	400	600	750	133	200	194
		T3	400	750	900	133	200	240
		T4	400	900	1050	133	200	285
	Twin	T1	550	450	600	133	200	185
		T2	550	600	750	133	200	251
		T3	550	750	900	133	200	301
		T4	550	900	1050	133	200	367
CORE300	Single	T1	400	600	750	186	250	257
		T2	400	750	900	186	250	317
		T3	400	900	1050	186	250	378
		T4	400	1050	1200	186	250	438
	Twin	T1	550	600	750	186	250	329
		T2	550	750	900	186	250	395
		T3	550	900	1050	186	250	483
		T4	550	1050	1200	186	250	549
CORE500	Single	T1	400	750	900	241	300	409
		T2	400	900	1050	241	300	488
		T3	400	1050	1200	241	300	566
		T4	400	1200	1400	241	300	644
	Twin	T1	550	750	900	241	300	507
		T2	550	900	1050	241	300	622
		T3	550	1050	1200	241	300	707
		T4	550	1200	1400	241	300	822
CORE700	Single	T1	500	750	900	272	350	607
		T2	500	900	1050	272	350	724
		T3	500	1050	1200	272	350	841
		T4	500	1200	1400	272	350	958
	Twin	T1	650	750	900	272	350	740
		T2	650	900	1050	272	350	882
		T3	650	1050	1200	272	350	1024
		T4	650	1200	1400	272	350	1166

\*Operating gaps are based on a standard 25mm bolt test.  
Dimension tables are indicative and are for reference purposes only.



**HEAD OFFICE:**  
RMB 1085 Pacific Hwy,  
Somersby NSW 2250 Australia  
**Tel:** 1 300 859 885  
**Email:** info@triconequipment.com.au  
**www.triconequipment.com.au**



**www.conveyortek.com**