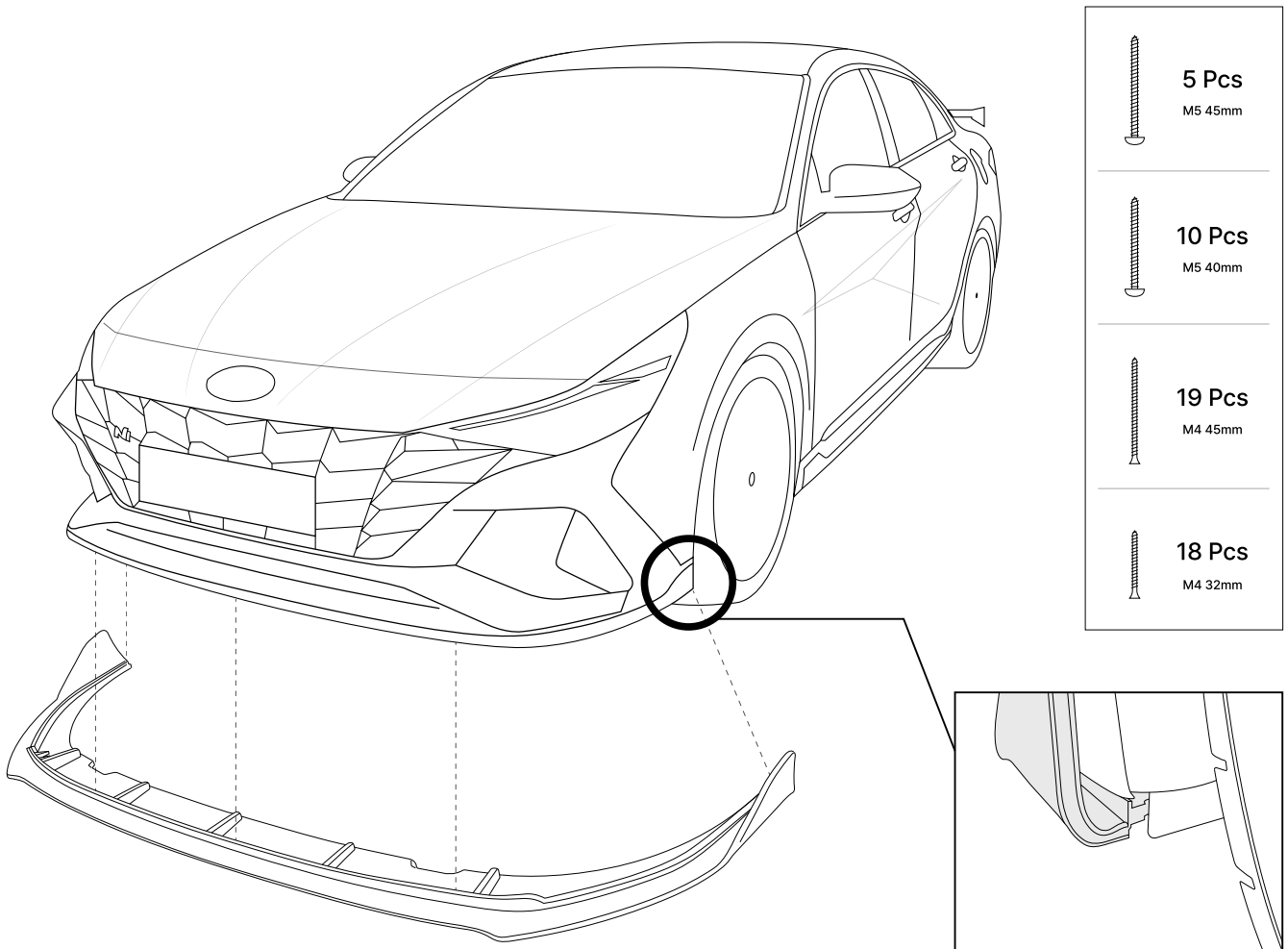


# HYUNDAI ELANTRA N

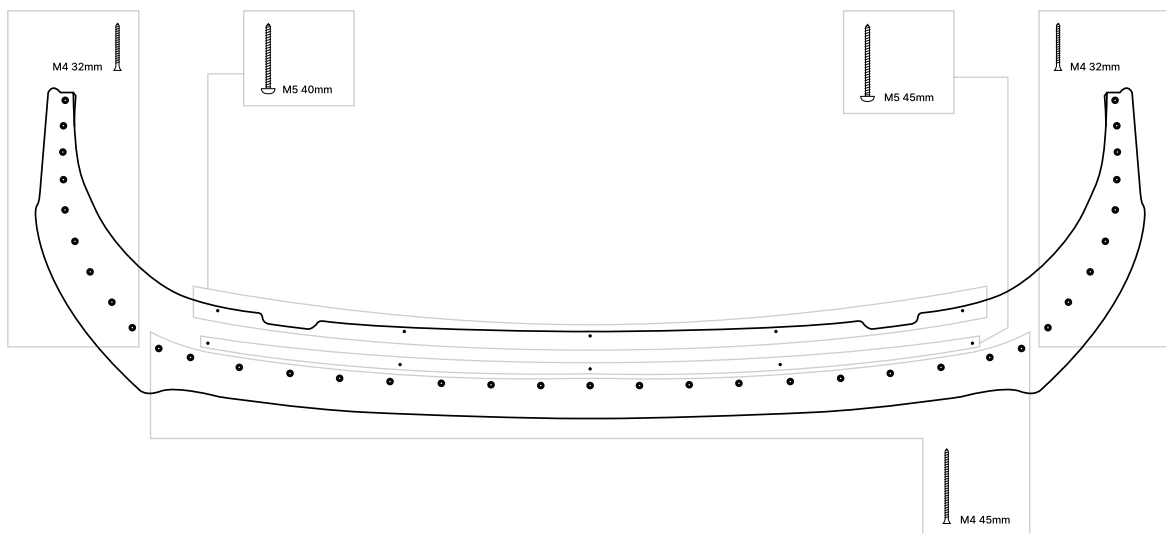
## Front Splitter

### Part position



\* Align both ends of the splitter with the bottom ends of the bumper.  
Begin installation with the provided screws starting at both ends of the splitter

### Installation hardware placement

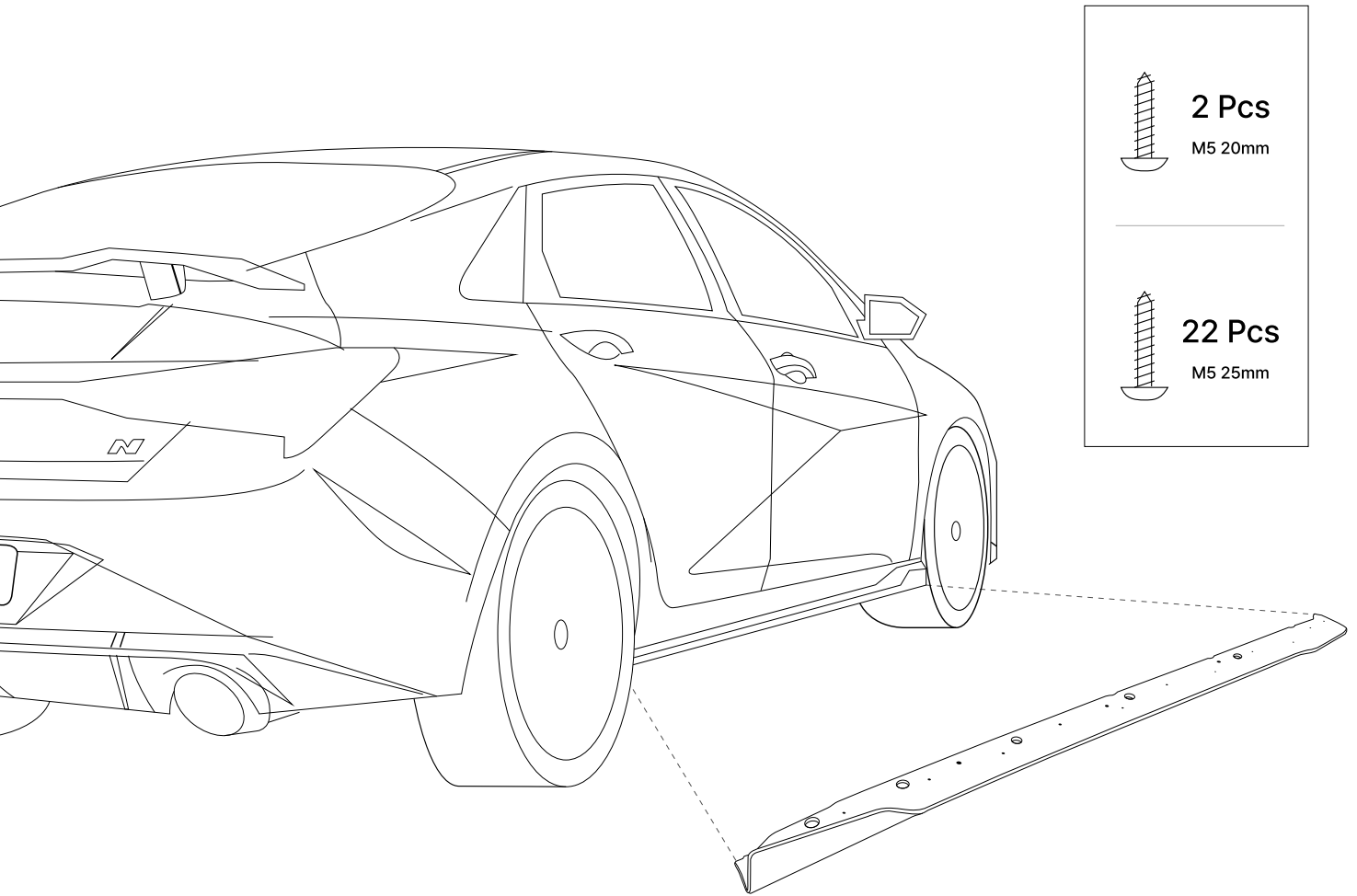


\* Please avoid over-torquing screws during installation.  
\* Minimum two participants recommended for proper installation.

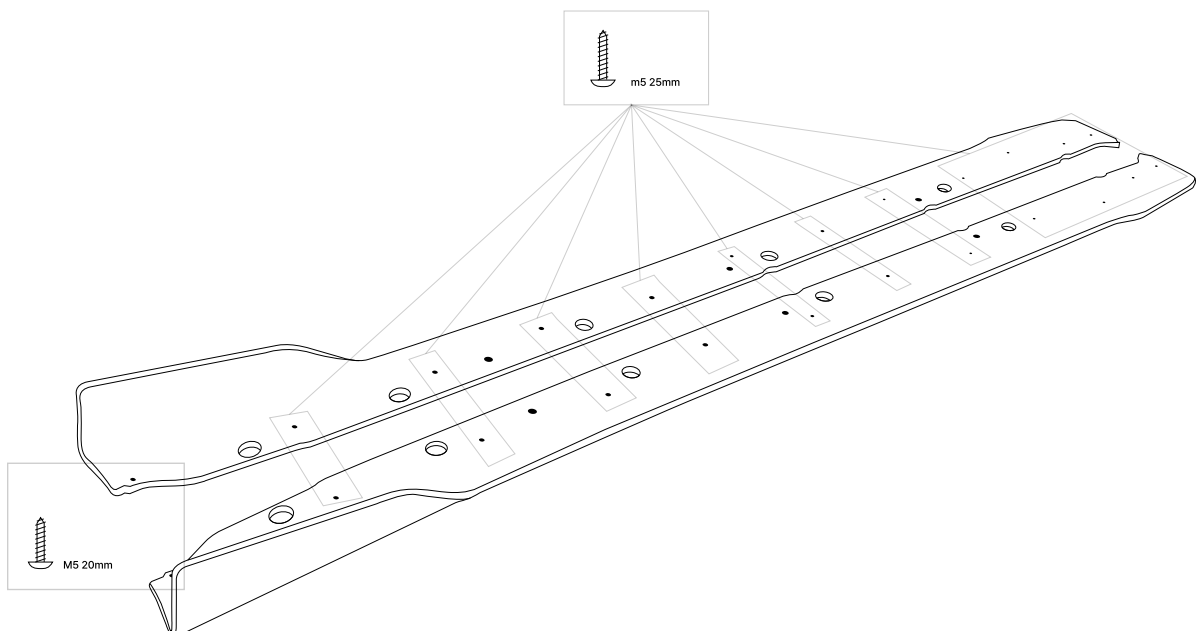
# HYUNDAI ELANTRA N

## Side Splitter

Part position

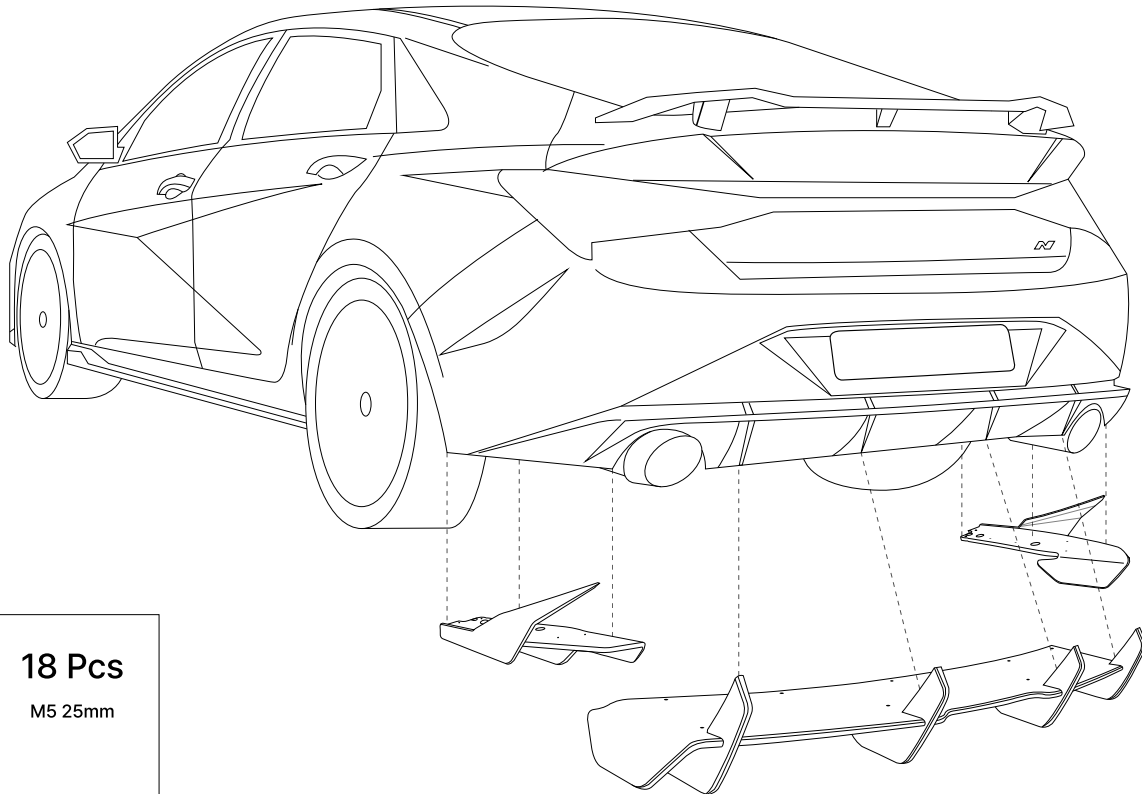




Installation hardware placement



\* Please avoid over-torquing screws during installation.  
\* Minimum two participants recommended for proper installation.

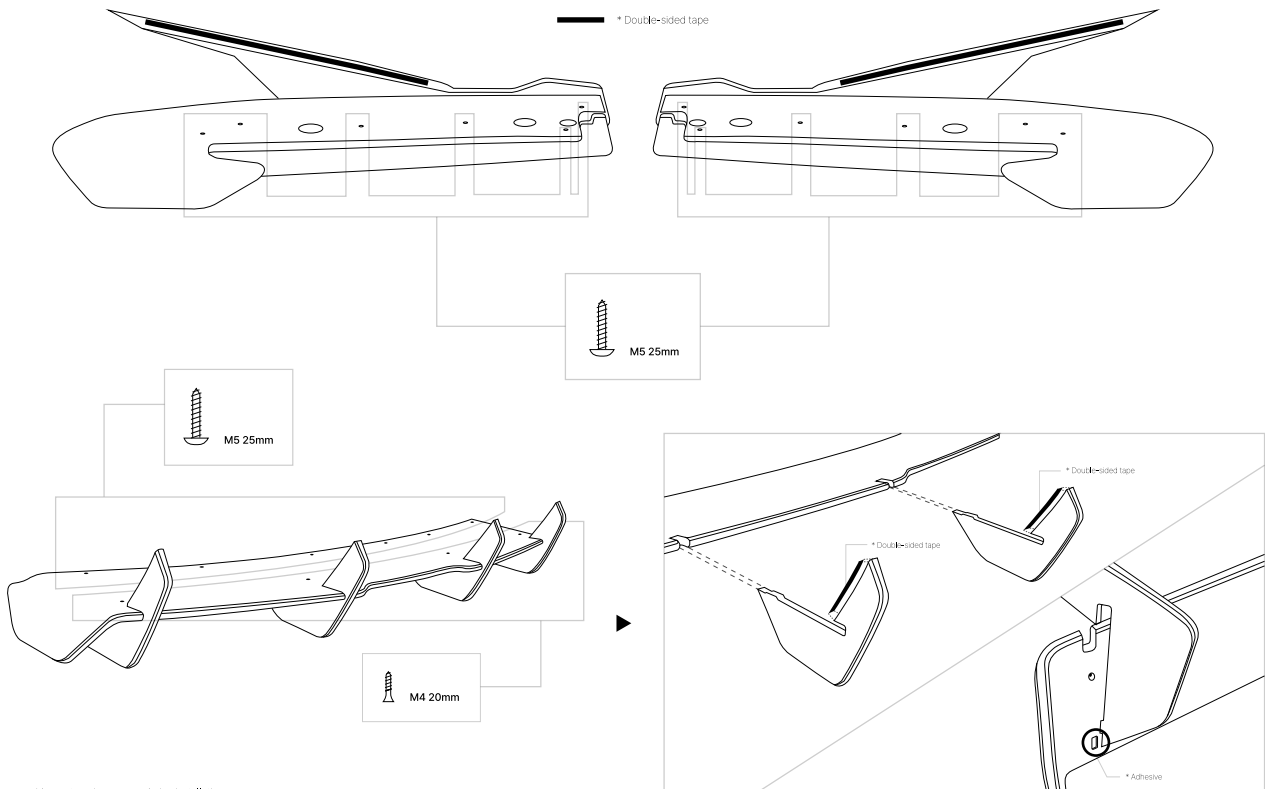
### Part position



	<b>18 Pcs</b> M5 25mm
	<b>4 Pcs</b> M4 20mm

\* For diffuser parts, install the plate first and then insert the pin.  
\* Place the rear parts flush to the bottom of the rear bumper and attach with double-sided tapes.

### Installation hardware position



\* Please avoid over-torquing screws during installation.  
\* Minimum two participants recommended for proper installation.