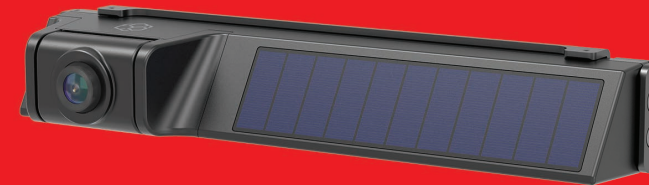




ADJUSTABLE BACKUP CAMERA



CONNECT WITH US |    @letsyada

2975 Red Hill Ave., Ste. 100, Costa Mesa, CA 92626
1.866.294.9244 | customercare@horizon-brands.com

© 2022 ADC Solutions Auto, LLC.

www.letsyada.com

BT532926

User Manual

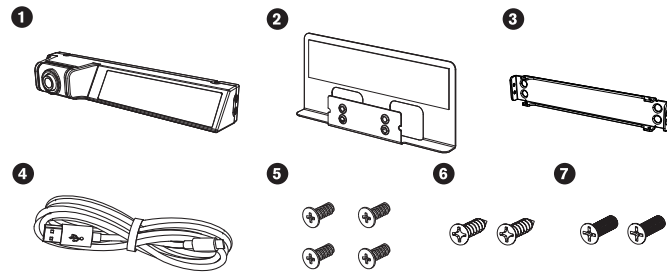
**Important, retain for future reference:
Read carefully**



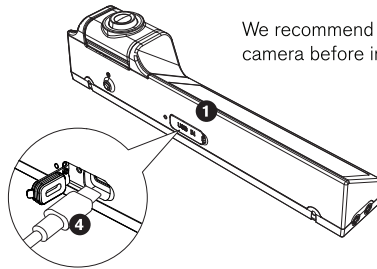
ML-532926_V1

QUICK INSTALLATION GUIDE

Before you begin... Gather these items.



1. Charging the Camera



We recommend fully charging the camera before installation.

2



Product code / Code de produit / Código del producto : BT532926

Register this product within 30 days of purchase to receive one **(1) additional year** of warranty coverage (beyond the standard 1-year warranty), along with special product offers and announcements.

Enregistrez ce produit dans les 30 jours suivant l'achat pour recevoir une couverture **supplémentaire de 1 AN** (au-delà de la garantie standard d'un an), ainsi que des offres et des annonces spéciales.

Registre este producto dentro de los 30 días siguientes a la compra para recibir un **(1) año adicional** de cobertura de garantía (más allá de la garantía estándar de un año), junto con ofertas de productos y anuncios especiales.

www.letsyada.com/register



@letsyada

**STOP
ARRÊT
DETÉNGASE**

Please contact our customer service before returning this product to the store. Our friendly representatives are happy to help with any questions or concerns you have.

Veuillez communiquer avec notre service à la clientèle avant de retourner le produit au magasin. Nos représentants se feront un plaisir de vous assister pour toute question ou préoccupation.

Póngase en contacto con nuestro servicio a clientes antes de regresar este producto a la tienda. A nuestros amables representantes les dará mucho gusto ayudarle con cualquier pregunta o inquietud que tenga.

Mon-Fri, 8am-5pm PST / Lundi au vendredi, 8h à 17h HNP /
Lun-vie, 8 a. m. a 5 p. m. Hora del Pacifico
customer care@horizon-brands.com / 1.866.294.9244

23

interference in a residential installation. This equipment generates, uses and can radiate radio frequency energy and, if not installed and used in accordance with the instructions, may cause harmful interference to radio communications. However, there is no guarantee that interference will not occur in a particular installation. If this equipment does cause harmful interference to radio or television reception, which can be determined by turning the equipment off and on, the user is encouraged to try to correct the interference by one or more of the following measures:

- Reorient or relocate the receiving antenna.
- Increase the separation between the equipment and the receiver.
- Connect the equipment into an outlet on a circuit different from that to which the receiver is connected.
- Consult the dealer or an experienced radio/TV technician for help.

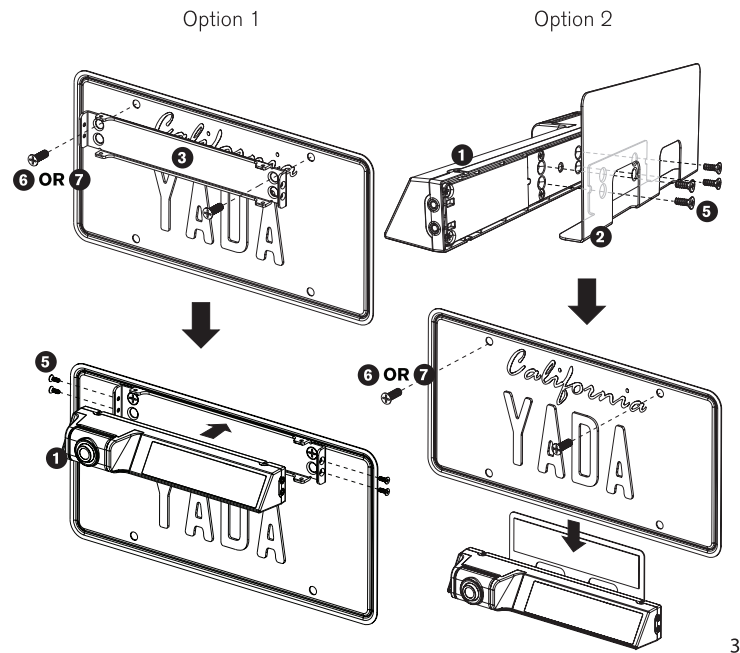
This equipment complies with FCC RF radiation exposure limits set forth for an uncontrolled environment. In order to avoid the possibility of exceeding the FCC radio frequency exposure limits, human proximity to the antenna shall not be less than 20cm during normal operation.

⚠ WARNING: This product can expose you to chemicals including Di(2-ethylhexyl)phthalate (DEHP) and Diisononyl Phthalate (DINP), which are known to the State of California to cause cancer and birth defects or other reproductive harm. For more information go to www.P65Warnings.ca.gov.

Adjustable Backup Camera
 BT532926
 Responsible Party:
 YADA
 2975 Red Hill Ave., Ste. 100, Costa Mesa, CA 92626
 Tel: 1.866.294.9244

3M™ VHB is a trademark of 3M Company.
 22 Android is a trademark of Google Inc.
 iPhone, iPad and iPod touch are trademarks of Apple Inc.

2. Mounting the Camera



INTRODUCTION

Please read all of the installation instructions carefully before installing the product. Improper installation will void manufacturer's warranty. The installation instructions do not apply to all types of vehicles, and are written as guidelines to assist in installing the system.

Consult an experienced technician if you are not comfortable installing the product. You can also contact YADA at **1.866.294.9244** to speak to one of our installation specialists if you have any specific questions regarding the Adjustable Backup Camera.

BEFORE using the Adjustable Backup Camera, please read the safety information provided in this user manual. ALWAYS use the product as outlined in this user manual.

Please make sure to read and understand all local laws and regulations regarding cameras and their use in a vehicle. Laws vary by state.

PRODUCT SPECIFICATIONS

Frequency:	2.4 GHz
Operating Voltage:	DC 5V (USB-C)
Operating Temperature:	14°F~122°F (-10°C~50°C)
Camera Water Resistance:	IP67 Rating
Battery Capacity:	2,500mAh
Maximum Signal Range:	33 Feet / 10 Meters (without interference or obstruction)

4

errors in connection with the Adjustable Backup Camera and its functioning. YADA and/or its affiliates shall have no responsibility or liability for damage and/or injury resulting from accidents occurring with vehicles having the installed, and YADA and/or its affiliates, the manufacturer, distributor and seller shall not be liable for any injury, loss or damage, incidental or consequential, arising out of the use or intended use of the product.

GENERAL INFORMATION

Customer Service/Contact

IF YOU ARE EXPERIENCING ANY ISSUES WITH THE PRODUCT DURING OPERATION, DO NOT RETURN THE PRODUCT TO THE STORE. CONTACT YADA DIRECTLY FOR INSTRUCTIONS ON HOW TO RETURN/ EXCHANGE THE PRODUCT.

FCC Compliance Statement:

This device complies with Part 15 of the FCC rules. Operation is subject to the following two conditions: (1) This device may not cause harmful interference, and (2) this device must accept any interference received, including interference that may cause undesired operation.

WARNING: Changes or modifications to this unit not expressly approved by the party responsible for compliance could void the user's authority to operate the equipment. The manufacturer is not responsible for any radio or TV interference caused by unauthorized modifications or change to this equipment. Such modifications or change could void the user's authority to operate the equipment.

NOTE: This equipment has been tested and found to comply with the limits for a Class B digital device, pursuant to part 15 of the FCC Rules. These limits are designed to provide reasonable protection against harmful 21

needed, the support representative will issue a Return Authorization and instruct on how to get a new unit. YADA makes no other warranty of any kind aside from the limited express warranty stated herein.

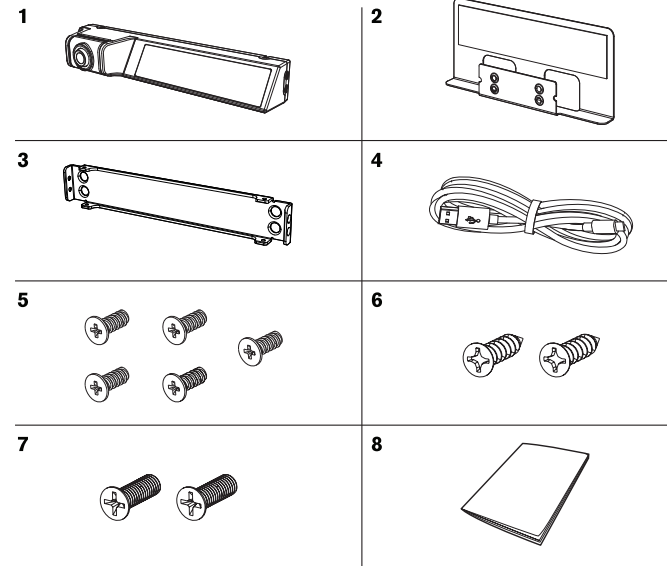
DISCLAIMER OF WARRANTIES, INCLUDING WARRANTY OF MERCHANTABILITY AND WARRANTY OF FITNESS FOR PARTICULAR PURPOSE: EXCEPT AS SPECIFICALLY SET FORTH HEREIN, NO WARRANTY OR REPRESENTATION, EXPRESS OR IMPLIED, IS MADE AS TO THE ADJUSTABLE BACKUP CAMERA. EXCEPT AS EXPRESSLY SET FORTH HEREIN, YADA AND/OR ITS AFFILIATES EXPRESSLY DISCLAIMS, WITHOUT LIMITATION, ANY STATUTORY WARRANTIES AND ALL IMPLIED WARRANTIES, INCLUDING ANY IMPLIED WARRANTY OF MERCHANTABILITY OR FITNESS FOR A PARTICULAR PURPOSE.

YADA and/or its affiliates do not guarantee or promise that the user of Adjustable Backup Camera will not be in an accident or otherwise not collide with an object and/or person. Our Adjustable Backup Camera is not intended in any way to be a substitute for careful and cautious driving or for the consistent adherence to all applicable traffic laws and motor vehicle safety regulations.

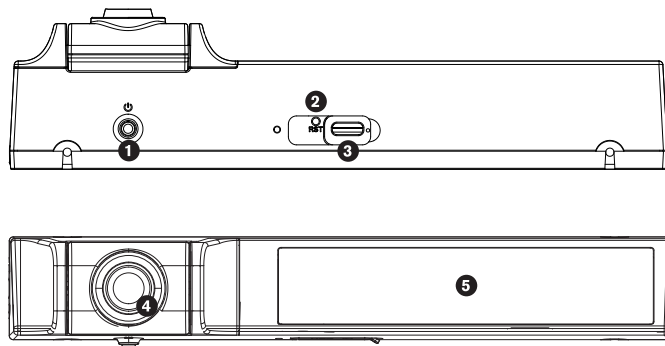
YADA and/or its affiliates are not responsible for a user's intended or actual use of the Adjustable Backup Camera. In no event shall YADA and/or its affiliates have any liability for any losses (whether direct or indirect, in contract, tort or otherwise) incurred in connection with the Adjustable Backup Camera, including but not limited to damaged property, personal injury and/or loss of life. Neither shall YADA and/or its affiliates have any liability for any decision, action or inaction taken by any person in reliance on the Adjustable Backup Camera, or for any delays, inaccuracies and /or

PACKAGE CONTENTS

- | | |
|--|--|
| 1. 1 x Backup Camera | 5. 5 x Tapping Screw (3mm x 8mm) (Silver) |
| 2. 1 x Universal Mounting Plate | 6. 2 x Tapping Screw (6.3mm x 30mm) (Silver) |
| 3. 1 x Installation Plate | 7. 2 x Metric Screw (M6 x 18mm) (Silver) |
| 4. 1 x 33" / 84cm USB-C Charging Cable | 8. 1 x User Manual & Quick Install Guide |



PRODUCT OVERVIEW



- | | |
|---------------------|----------------|
| 1. Power Button | 4. Camera Lens |
| 2. Power Reset Hole | 5. Solar Panel |
| 3. USB-C Power Port | |

6

CONDITIONS OF WARRANTY

If during the 1 year warranty period your new product is found to be defective, YADA will repair such defect, or replace the product, without charge for parts or labor subject to the following conditions:

1. All repairs must be performed by YADA.
2. All warranty claims must be accompanied by a copy of the sales receipt or bill of sale.
3. The equipment must not have been altered or damaged through negligence, accident, improper operation, or failure to follow the product instructions for installation, use, or care.
4. The replacement of parts is excluded from the warranty when replacement is necessary due to normal wear and tear.
5. Repair or replacement parts supplied by YADA under this warranty are protected only for the unexpired portion of the original warranty.
6. This is a "repair or replace" warranty only, and does not cover the costs incurred for the installation, removal or reinstallation of the product, or damage to any mobile phone device or vehicle.

OWNER'S RESPONSIBILITIES:

YADA will make every effort to provide warranty service within a reasonable period of time. SHOULD YOU HAVE ANY QUESTIONS ABOUT SERVICE RECEIVED OR IF YOU WOULD LIKE ASSISTANCE IN OBTAINING SERVICE, PLEASE CALL TOLL FREE 1.866.294.9244 DURING REGULAR BUSINESS HOURS MONDAY THROUGH FRIDAY 8:00 AM TO 5:00PM.

NOTE: Toll Free # is for North America Customers ONLY. See Customer service section for customer contact numbers for other regions/offices. For customer service and technical support, please call us at 1.866.294.9244. If at that time it is determined that a replacement unit is

19

children, especially when children are in the yard, driveway or parking lot playing near parked cars.

- Roll down your window so you will be able to hear what is happening outside your vehicle.
- Owners of SUVs, trucks, and vans need to take extra care to avoid hitting or running over a child.
- Teach children to move away from a vehicle whenever it is started.

MAINTENANCE & WARRANTY

Cleaning

- If dirt, rain or snow attaches to the camera, the backup image may not display clearly. If water droplets, snow or mud adhere to the camera lens, rinse with water and wipe with a dry cloth.
- Do not use alcohol or thinner to clean the camera. This will cause with mild cleaner diluted with water and then wipe with a dry cloth.

Warranty

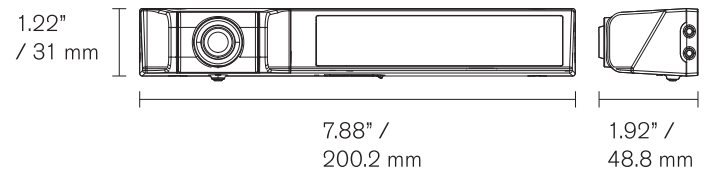
YADA LIMITED WARRANTY

YADA warrants, to the original purchaser, that its products are free from defects in material and workmanship for 1 year from the date of original purchase. Where permitted by law, YADA's liability shall be limited to that set forth in this limited express warranty. This limited express warranty shall be the exclusive remedy of the purchaser and YADA makes no other warranty of any kind aside from the limited express warranty stated above.

NOTE: Warranty only applies for North American customers of purchases made in North America.

18

CAMERA DIMENSIONS



BEFORE YOU INSTALL

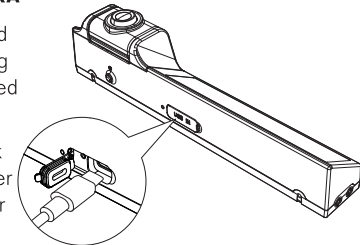
Please charge the camera, pair and test it with the YADA Drive APP before you install it onto your vehicle.

NOTE: Though the camera already comes with 90% battery charge out of the box, we still recommend charging it for 5-6 hours before installation for the best performance.

CHARGING THE BACKUP CAMERA

Flip open the charging port lid and connect it to a power source using the USB-C charging cable included in the box.

NOTE: In order to reduce the risk of fire or electric shock, an adapter shall be chosen that is suitable for the application and is certified as a Class 2 or LPS power supply or power adapter.



7

CAMERA STATUS & LED INDICATORS

Power / Mode Status	LED Indicators
Power On Press & hold the power button until you see the blue LED light flashing.	Blue LED light flashes twice.
Power Off Press & hold the power button for more than 2 seconds or until you see the red LED light flashes once.	Red LED light flashes once.
Factory Reset / Pairing Mode While the camera is on, press & hold the power button for more than 5 seconds or until you see the blue LED light flashes 5 times.	Blue LED light flashes 5 times.
Hardware Reset If the camera does not function properly or appears to be unresponsive, insert a paper clip into the power reset hole for a hardware reset.	Red LED light flashes once.
Low Voltage Protection	Red LED light flashes continuously.

Adjustable Backup Camera can withstand the effects of rain, snow, and inclement weather.

- When strong light directly enters a camera, objects may not be displayed clearly.
- The APP screen may flicker under fluorescent light.
- The colors of objects on the APP screen may differ somewhat from those of the actual object.
- If dirt, rain or snow attaches to the camera, the backup image may not display clearly. If water droplets, snow or mud adhere to the camera lens, rinse with water and wipe with a dry cloth.
- Do not use alcohol, benzene or thinner to clean the camera. This will cause discoloration. To clean the camera, wipe with a clean cloth dampened with mild cleaner diluted with water and then wipe with a dry cloth.
- Your mobile device and the camera will remain connected up to 33 feet without any obstacles or interference.
- ALWAYS engage Parking/Emergency/Hand Brakes of the vehicle when testing the system.

IMPORTANT SAFETY INSTRUCTIONS

- Using the Adjustable Backup Camera is not enough to completely overcome a vehicle's blind spot. Many preventable injuries and deaths occur in driveways or parking lots when drivers do not see children, pets, or others near their vehicles. Here are a few safety tips that will help you to avoid a back-over accident:
- Walk completely around your vehicle before getting in. Check for kids, toys, and pets before entering the vehicle and starting the engine.
- Know where children are. Have children stand in a place where they are in full view.
- Be aware of young children. Young children are small and hard to see.
- Parents, caregivers and all adults need to be vigilant in supervising

- If the back of the vehicle is hit, the position and mounting angle of the Adjustable Backup Camera may change.
- When washing the vehicle with high pressure water, be sure not to spray it around the Adjustable Backup Camera. Otherwise, water may enter the camera unit causing water condensation on the lens, a malfunction, fire or an electric shock.
- Do not strike the Adjustable Backup Camera. It is a precision instrument. Otherwise, it may malfunction or cause damage resulting in a fire or an electric shock.
- This product will only provide images of items that are within the field of view of the Adjustable Backup Camera. Thus, it is imperative that the Adjustable Backup Camera should be kept clean and unobstructed, and should be mounted so that its field of view includes the entire area behind your vehicle.
- Adhere to all applicable traffic laws and motor vehicle regulations applicable to the device.
- Consult local laws and regulations for any restrictions on installation or use.
- Never allow children to play with the device. Small parts may be a choking hazard.
- If you replace the tires, the area displayed on the APP screen may change and you may need to adjust the camera.
- There is a plastic cover over the Adjustable Backup Camera. Do not scratch the cover when cleaning dirt or snow from the cover.
- The Adjustable Backup Camera has a water resistant construction. Do not detach, disassemble or modify it. This may cause incorrect operation. Adjustable Backup Camera is waterproof.
- Do not submerge Adjustable Backup Camera in water, which can cause internal damage to the camera.
- If the temperature changes rapidly, such as when hot water is poured on the vehicle in cold weather, the system may not operate normally. The

16

DOWNLOADING THE APP



Scan the QR code to the right or search for "YADA Drive" via App Store/Google Play to download and install the APP.



Compatible with iPhone 4s and higher, iPad3, iPad Mini, iPad Air and higher, and iPod touch 5th Generation and higher. Requires iOS 9.0 or higher.



Compatible with phones with Android™ 5.0 or higher.

9

APP SETUP

Pairing the camera

1. Launch the YADA Drive APP and click **BACKUP CAM**.

2. Select Adjustable Backup Camera and click **Set Up Device**.

Android device

3. Click the  icon and then select the  Pair Camera icon.

4. When the APP finds "YADA_BUC04_1080P_XXXXXX", click **Connect**.

5. Follow the on-screen instructions and set a new PIN for the camera. Click **Confirm** when you're done.

6. You should now be able to see the live view of the Backup Camera.



10

WARNING: A failure to read and follow these warnings and instructions may result in a serious accident, including damaged property or a serious injury, including loss of life.

- The Adjustable Backup Camera is designed as an aid to the driver in detecting large stationary objects to help avoid damaging the vehicle. However, you, the driver, must use it safely and properly. Use of the Adjustable Backup Camera is not a substitute for safe, proper and legal driving.
- Never back up while looking only at the APP screen. You should always check behind and around the vehicle when backing up just as you would if the vehicle did not have the Adjustable Backup Camera. Always make sure your intended path is clear. If you back up while looking only at the APP screen, you may hit a vehicle, pedestrian, bicyclist, child, pet or other object resulting in injury or death. Always back up slowly.
- Never depend on the Adjustable Backup Camera entirely when backing up. The image on the APP screen is different from actual conditions. Objects viewed on the APP screen differ from actual distance because a wide-angle lens is used. Objects on the APP screen will appear visually opposite than when viewed in the rear view and outside mirrors. Use the inside mirror or glance over your shoulder to properly judge distances to other objects.
- The area displayed by the Adjustable Backup Camera is limited. The Adjustable Backup Camera does not display objects that are close to or below the bumper, underneath the vehicle, or objects out of the camera's field of view. The area displayed on the APP screen may vary according to vehicle orientation or road conditions.
- Be sure to check the camera's position and mounting angle before each use.
- Make sure the trunk, hatch, or back door is completely and securely closed when backing up.

15

SAFETY INFORMATION

IMPORTANT SAFETY INSTRUCTIONS



1. **SAVE THESE INSTRUCTIONS** – This manual contains important safety and operating instructions.
2. Before using the product, read all instructions and cautionary markings.
3. Do not expose Adjustable Backup Camera to rain, moisture, or snow.
4. Use of an attachment not recommended or sold by the product manufacturer may result in a risk of fire, electric shock, or injury to persons.
5. To reduce risk of damage to Adjustable Backup Camera and cable, pull by Adjustable Backup Camera rather than cable when disconnecting from USB port.
6. Make sure cable is carefully secured so that it will not be stepped on, tripped over, or otherwise subjected to damage or stress.
7. Do not operate Adjustable Backup Camera with damaged cable – replace it immediately.
8. Do not operate Adjustable Backup Camera if it has received a sharp blow, been dropped, or otherwise damaged in any way; take it to a qualified serviceperson.
9. Do not disassemble Adjustable Backup Camera; take it to a qualified serviceperson when service or repair is required. Incorrect reassembly may result in a risk of electric shock or fire.
10. To reduce risk of electric shock, unplug Adjustable Backup Camera before attempting any maintenance or cleaning. Turning off controls will not reduce this risk.

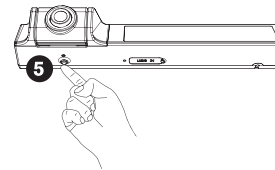
14

APP SETUP

iOS device (Follow steps 1-2 from previous page's instructions)

3. When prompted, please click **Settings** to turn on Bluetooth.

4. Click the  icon and then select the  Pair Camera icon.

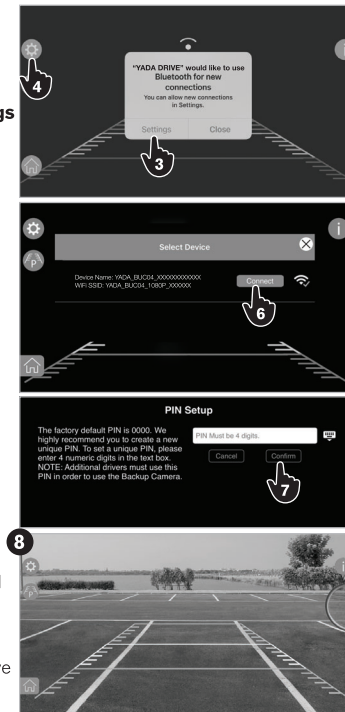


5. Press and hold the power button on the camera for more than 5 seconds or until the blue LED light flashes 5 times.

6. When the APP finds "YADA_BUC04_1080P_XXXXXX", click **Connect**.

7. Follow the on-screen instructions and set a new PIN for the camera. Click **Confirm** when you're done.

8. You should now be able to see the live view of the Backup Camera.



11

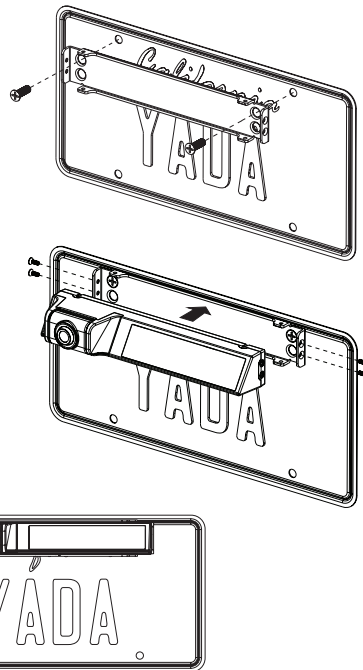
INSTALLATION

Option 1

Mount with Installation Plate

1. Secure the Installation Plate and your license plate to your vehicle with 2pcs of M6 x 18mm Metric Screw or 6.3mm x 30mm Tapping Screw.

2. Attach the camera to the Installation Plate and secure with 4pcs of 3mm x 8mm Tapping Screw (1 extra piece of Tapping Screw for spare).



12

INSTALLATION

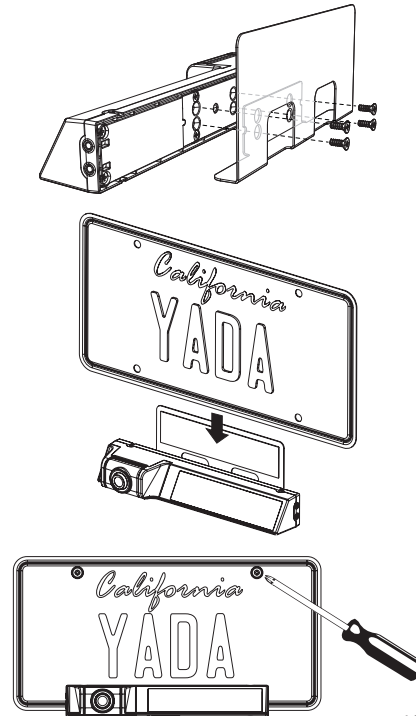
Option 2

Mount with Universal Mounting Plate

1. Attach the Universal Mounting Plate to the back of the camera and secure with 4pcs of 3mm x 8mm Tapping Screw (1 extra piece of Tapping Screw for spare).

2. Peel off the 3M™ VHB Double-sided Tape Backer from the Universal Mounting Plate and attach it onto your license plate.

3. Secure the license plate with the camera to your vehicle with 2pcs of M6 x 18mm Metric Screw or 6.3mm x 30mm Tapping Screw.



13