



ROADCAM **AI PLUS**

4K AI Dashcam & Rear Cam Set



BT533642

User Manual

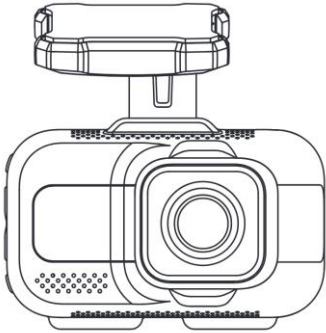
Important, retain for future reference:

Read carefully

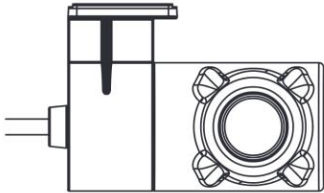
QUICK INSTALLATION GUIDE

Before you begin the installation, please gather these items.

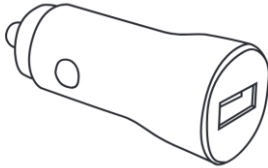
1



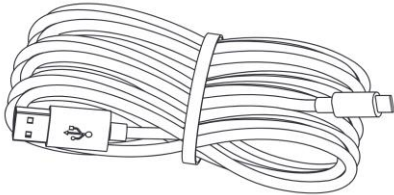
2



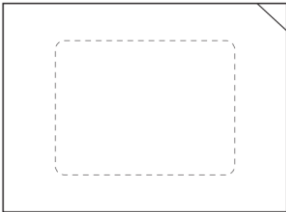
3



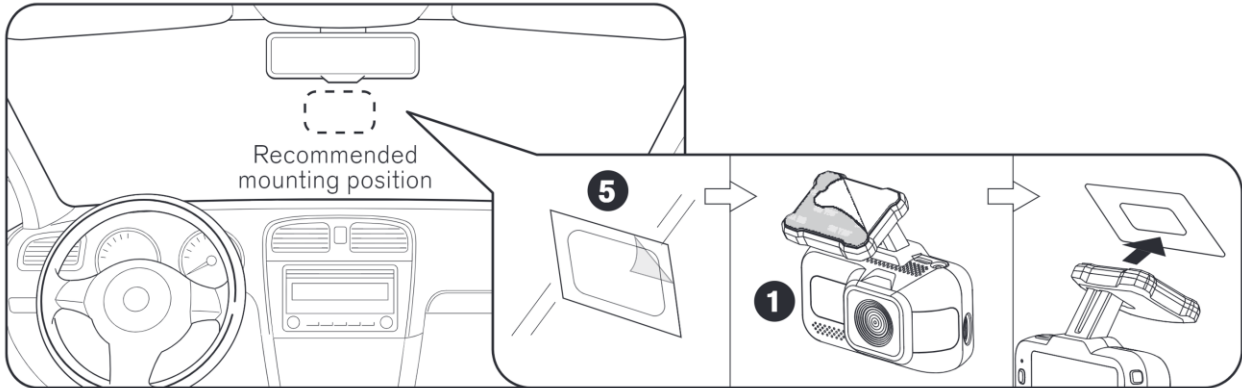
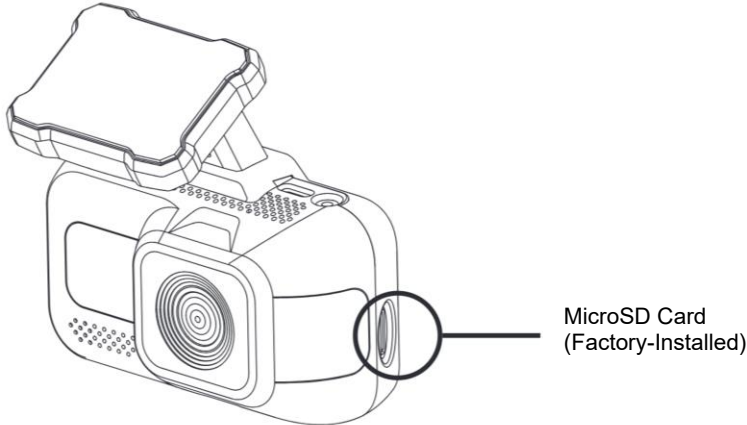
4



5

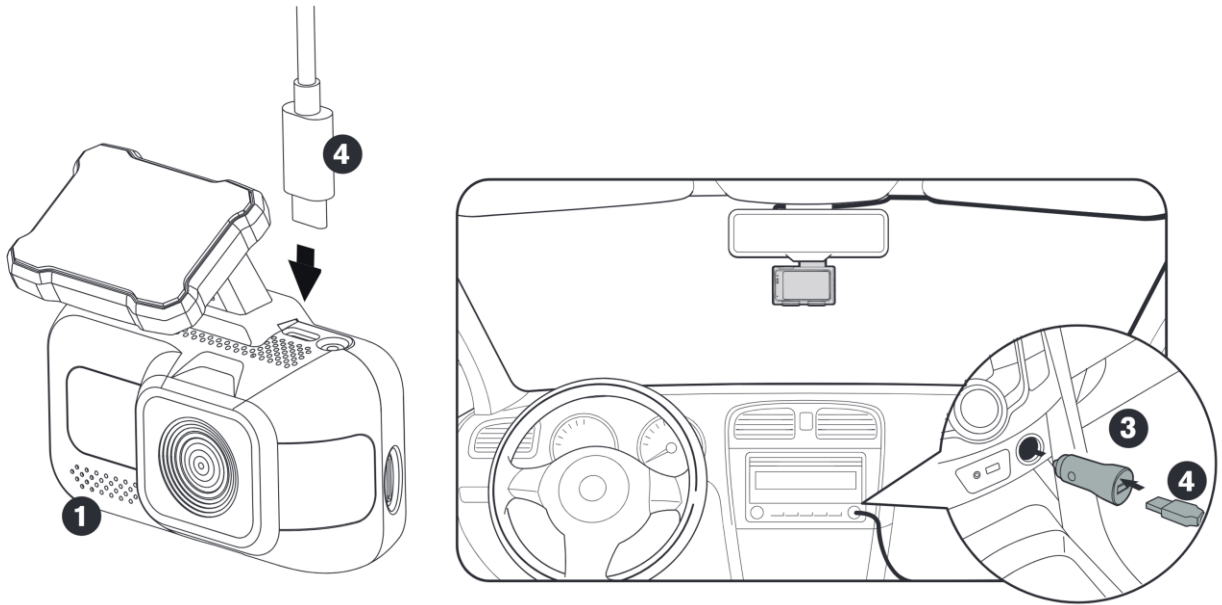


1. Mounting the AI Dashcam

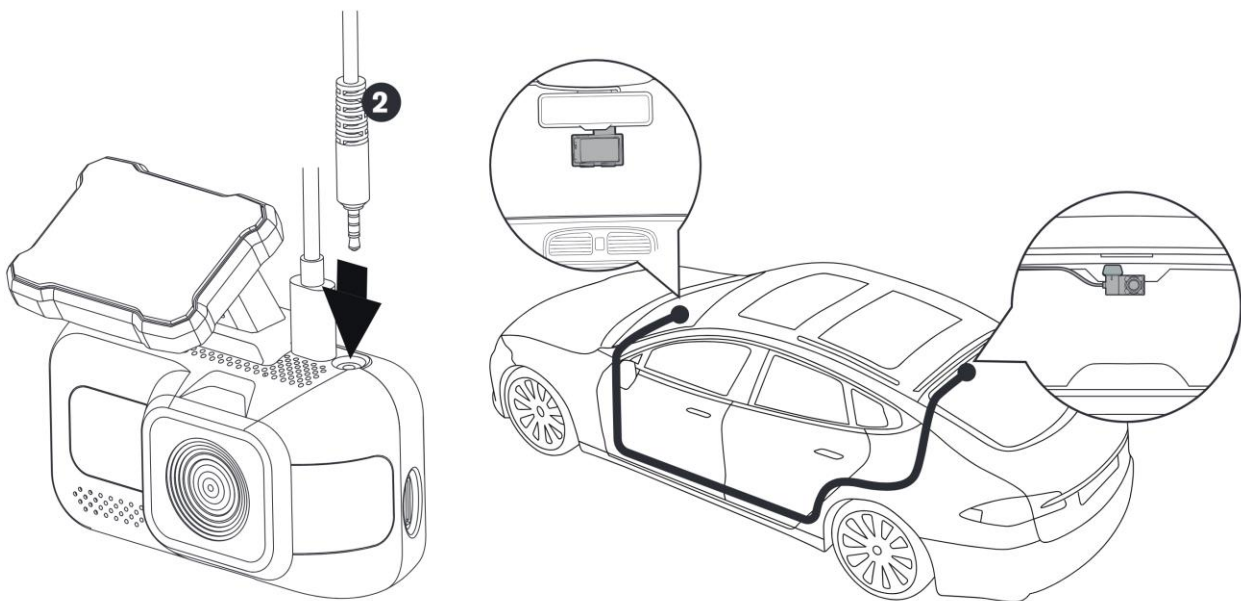


To optimize the accuracy of AI calibration, we recommend placing the Dashcam at the center of your windshield, right behind your rear view mirror.

2. Connecting to Power



3. Connecting the Rear Camera



INTRODUCTION

Please carefully review all installation instructions before installing the product. Improper installation may void the manufacturer's warranty. These instructions are not applicable to all vehicle types and are provided as guidelines to aid in product installation.

If you require assistance with camera installation, please feel free to either consult an experienced technician or reach out to YADA customer support at **1.866.294.9244**.

BEFORE using the cameras, please read the safety information in this manual, and always follow the guidelines outlined in it while using the product.

Please make sure you've read and understood local laws and regulations regarding cameras in vehicles, as these laws can vary by state.

PRODUCT SPECIFICATIONS

4K AI Dashcam

Display:	3.0"
Lens (View Angle):	125°
Video Resolution:	UHD 4K (3840x2160) / 30 FPS
Frequency:	2.4GHz
Memory Card:	MicroSD (U3, up to 512GB)
Audio Recording:	Yes (can be turned on/off)
Built-in Speaker:	Yes
Operating Temperature:	14°F~140°F (-10°C~60°C)
Operating Voltage:	DC 12/24V / DC 5.2V (USB-C)
Battery:	Built-in Supercapacitor
Maximum Signal Range:	9.84 Feet/3 Meters (without interference or obstruction)

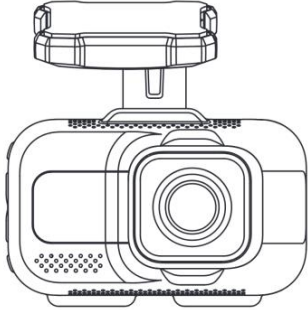
Rear Camera

Lens (View Angle):	122°
Video Resolution:	FHD 1080P (1920x1080) / 30 FPS
Operating Temperature:	14°F~140°F (-10°C~60°C)
Operating Voltage:	DC 5V

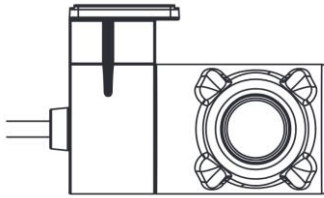
PACKAGE CONTENTS

1. 1 x 4K AI Dashcam
2. 1 x Rear Camera
3. 1 x 64GB MicroSD Card (Factory-installed, replaceable)
4. 1 x 12/24V Power Adapter
5. 1 x 11.5ft/3.5m USB-A to USB-C Power Cable
6. 1 x Spare 3M VHB™ Double-sided Tape
7. 1 x Adhesive Film
8. 1 x Instruction Manual

1



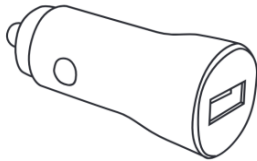
2



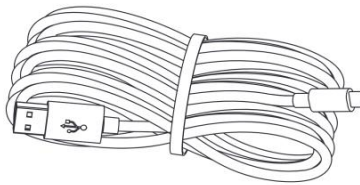
3



4



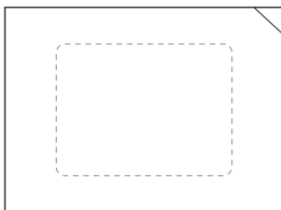
5



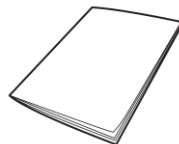
6



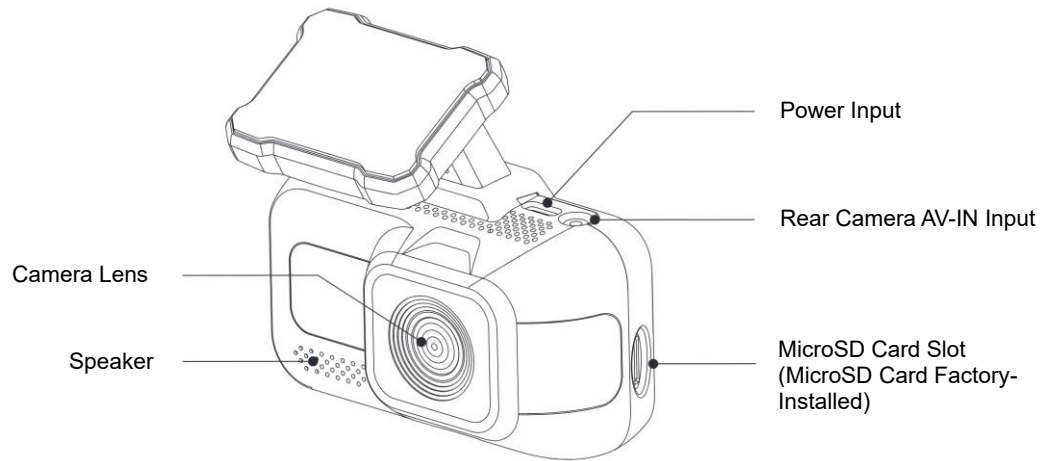
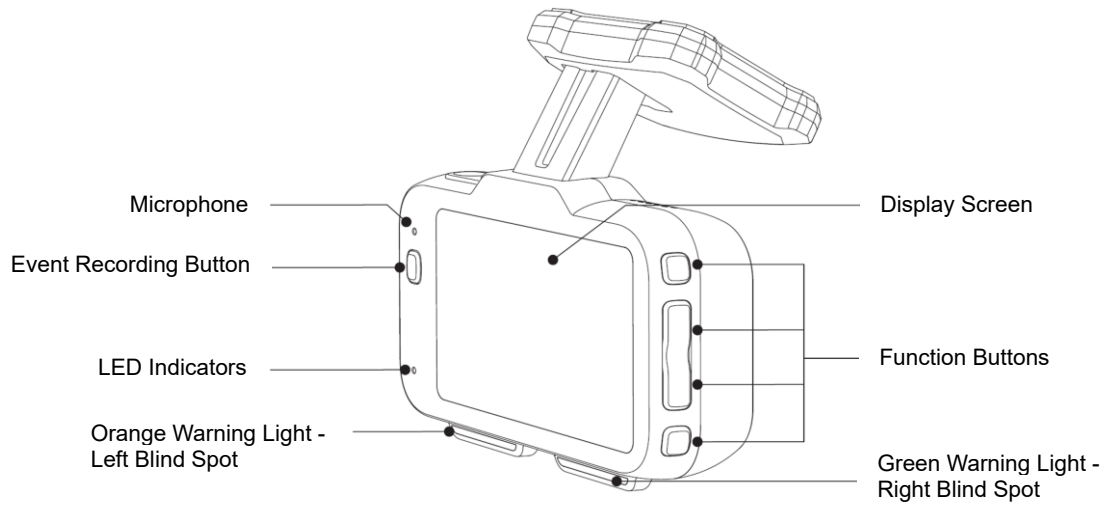
7



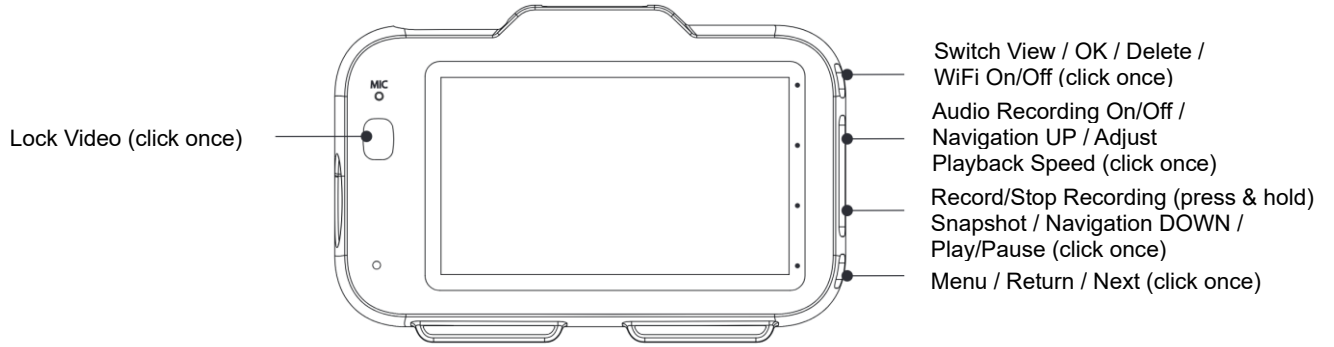
8



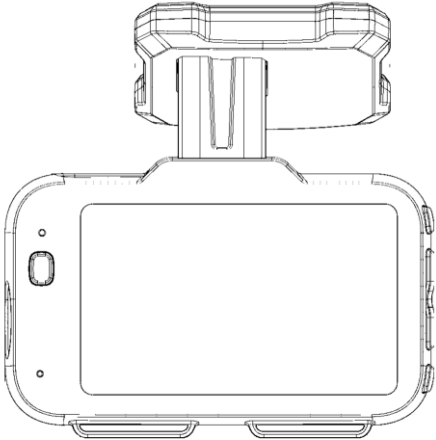
PRODUCT OVERVIEW



CONTROLLING THE CAMERA



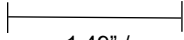
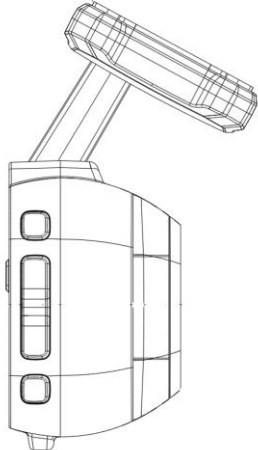
DIMENSIONS



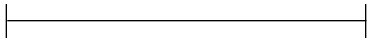
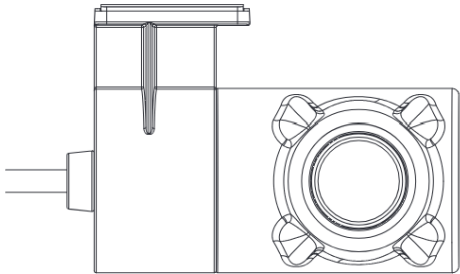
2.36" / 59.95mm



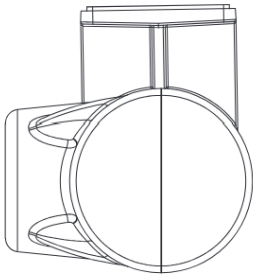
3.83" / 97.4mm



1.49" / 37.8mm



2.12" / 53.8mm



1.55" / 39.4mm

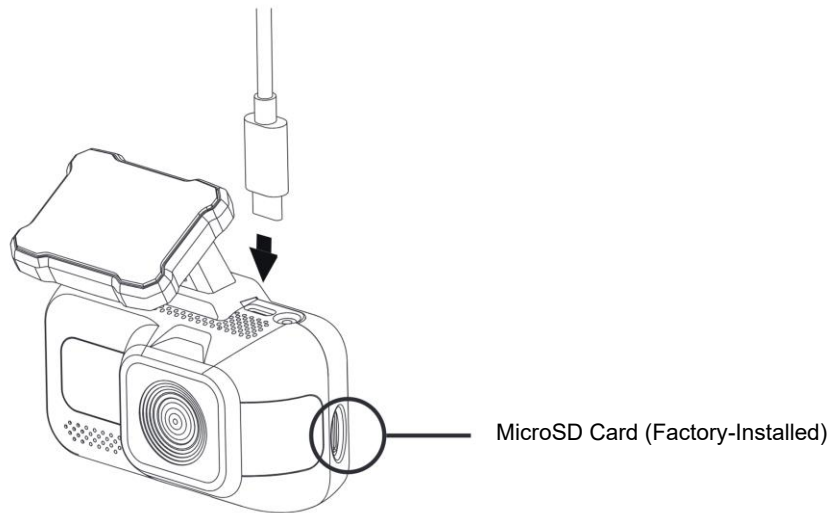


1.44" / 36.5mm

INSTALLING THE CAMERAS

1. Remove the protective film from the display screen. Connect the USB-C power cable to the input port on the Dashcam.

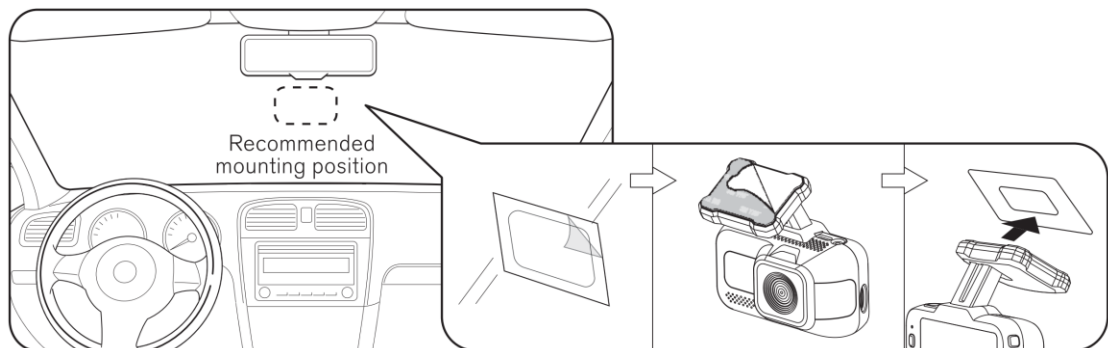
NOTE: Please test the Dashcam by connecting it to a power source before mounting.



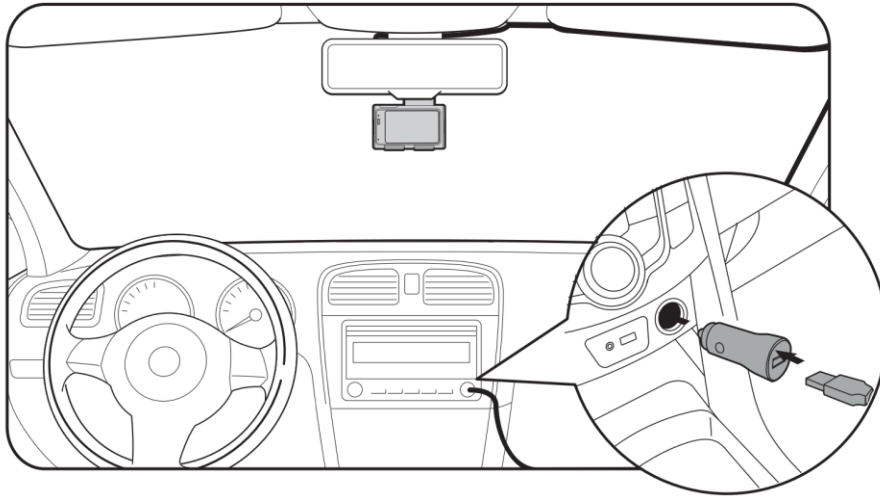
2. Mount the Dashcam onto the windshield.

- Apply the adhesive film onto the cleaned windshield and remove the protective film.
- Peel off the 3M VHB™ tape backer from the windshield mount and affix the Dashcam to the center of the adhesive film.

NOTE: To optimize the accuracy of AI calibration, we recommend placing the Dashcam at the center of your windshield, right behind your rear view mirror.

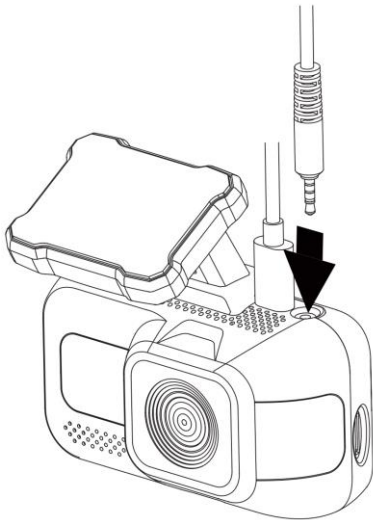


3. Route the power cable through the headliner and pillars inside your vehicle. To ensure it doesn't obstruct the driver while driving, we recommend passing it through the passenger side.

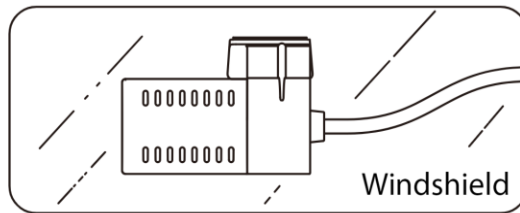
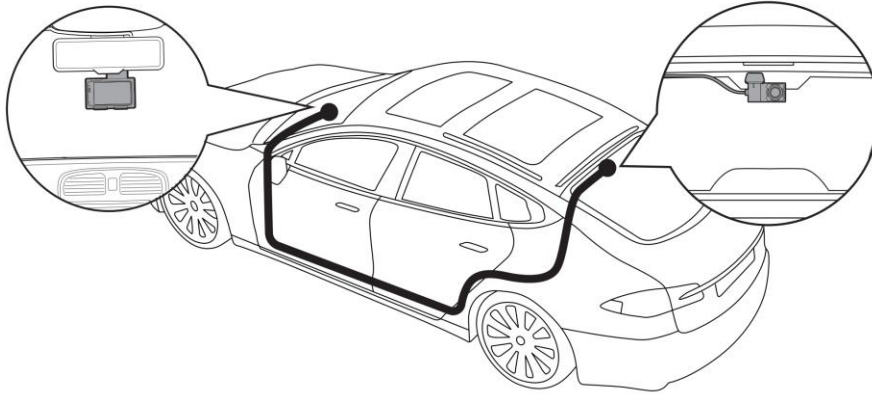


Plug the cable into the power adapter then into your 12/24V outlet (cigarette lighter).

4. Plug the Rear Camera into the AV-IN port on the Dashcam.



5. Mount the Rear Camera on the rear window inside your vehicle. Adjust the camera to your desired angle. Route and hide the power cable in your vehicle.



CAUTION: Please position the cable to the right while installing the Rear Camera to ensure proper orientation of captured images.

CONFIGURING THE MENU SETTINGS

Initial Setup

Set the date & time before using the Dashcam. The date stamps that appear on all future recordings will follow this setting. You may also sync the date & time to your phone by connecting the Dashcam to the YADA Drive APP.



Auto-Calibration

The Dashcam offers Advanced Driver Assistance System (ADAS) function that uses G-Sensor to scan the road while you drive. During the initial use, the device will perform calibration automatically to enhance the accuracy of detecting safety events.

Auto-calibration takes up to 15 minutes to complete once the following conditions are met:

- Driving on a straight and level road
- Vehicle speed is greater than 13 MPH (20 KM/H)
- Ensuring a clear view of the sky for GPS signal reception
- Avoid switching lanes in order for the system to recognize the lane markings



The  icon will appear in live view when calibration is completed. If you have the Rear Camera connected, the  icon will appear as well.



WARNING: Please ensure that you complete the auto-calibration process. Failure to do so may result in inaccurate data, potentially affecting your safety and the performance of advanced features while driving.



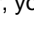

NOTE: Recalibration is required in case of transferring the Dashcam to a different vehicle. Reset the Dashcam to factory defaults under "System Setting" (refer to page 21), then repeat the calibration process.

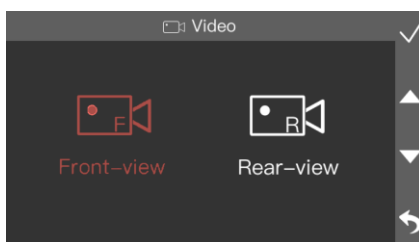
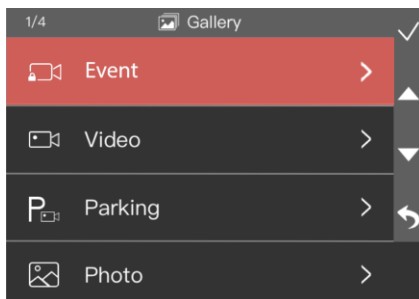
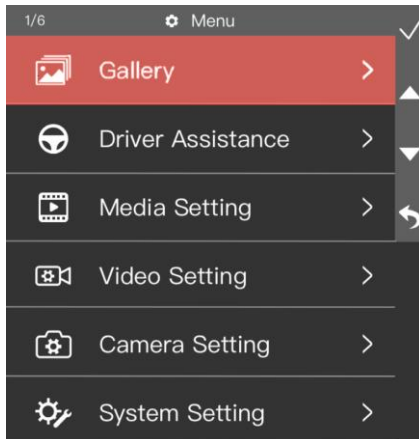
Video Mode

- This is the default recording setting. The Dashcam will start recording automatically once it is powered on.
- By default, videos are recorded in 1-minute segments and saved onto the MicroSD card. When the memory reaches capacity, new videos will overwrite the old ones.
- Switch view: click ↺ to toggle between ADAS and front display. If the Rear Camera is connected, you can also toggle to rear or picture-in-picture display.
- Click 🎤 to turn audio recording on/off.
- Start/Stop recording: press and hold 📷.
- Click 📷 to take a photo.
- Lock video: click the event recording button to start an emergency video recording. The footage will be stored in the "Event" folder.

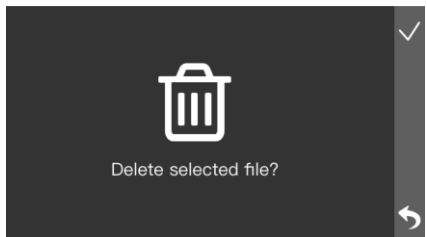
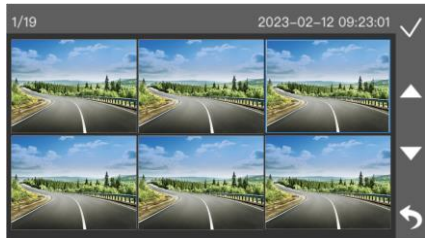


Gallery Mode

- Click  to open menu and select “Gallery”.
- Utilize  and  to cycle through “Event”, “Video”, “Parking” and “Photo” folders, then click  to enter.
- In each folder, you can select between browsing front and rear camera footages or photos if the Rear Camera is connected.

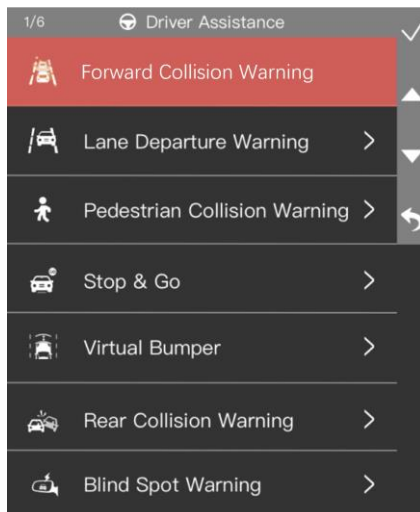


- Utilize ▲ and ▼ to browse through the previews, then click ✓ to view the file in full screen.
- During video playback, click || to pause and ▶ to resume the video.
- Click x1 to adjust video speed to x 2, x 4 or x 8.
- Click 🗑️ to delete the current file, then click ✓ to confirm the erase.



Advanced Driver Assistance System (ADAS)

- To adjust the Advanced Driver Assistance System settings, select “Driver Assistance” in menu.
- Set the level of sensitivity for each function between High, Mid, Low and OFF.



1. Forward Collision Warning

Choose from the following activation speeds:

- 20 MPH
- 25 MPH
- 30 MPH
- 30 KM/H
- 40 KM/H
- 50 KM/H

The Dashcam calculates an estimated safe following distance between your vehicle and the vehicle ahead while driving above the speed you select. When the distance falls below 2.7 seconds, visual and audio alerts will be issued.

NOTE: Please set your desired speed unit before adjusting the activation speed.



2. Lane Departure Warning

Choose from the following activation speeds:

- 40 MPH
- 45 MPH
- 50 MPH
- 60 KM/H
- 70 KM/H
- 80 KM/H

The Lane Departure Warning system provides alerts when your vehicle deviates from the driving lane at a speed over the selected threshold.

NOTE: Please set your desired speed unit before adjusting the activation speed.



3. Pedestrian Collision Warning

The Dashcam tracks moving and stationary pedestrians in close proximity to your vehicle. When the distance to the pedestrian ahead falls below 1.2 seconds, and your vehicle's speed is between 0.7 MPH and 40 MPH (1 KM/H and 60 KM/H), an alert will sound and an on-screen warning will appear.



4. Stop & Go

Stop & Go system lets you know when traffic starts to move. When your vehicle has stopped for more than 5 seconds, and the vehicle within 6 meters ahead departs for more than 1 second, the Dashcam will issue both visual and sound reminders.



5. Virtual Bumper

The Virtual Bumper system helps prevent minor collisions and scratches when parking or maneuvering in tight spaces. When the distance to the vehicle ahead falls below 0.7 seconds, and your vehicle's speed is between 0.7 MPH and 20 MPH (between 1 KM/H and 30 KM/H), the system provides real-time visual and audible feedback to avoid contact.



6. Rear Collision Warning

The Rear Collision Warning system calculates the real-time distance between your vehicle and the vehicle behind. When driving at a speed greater than 20 MPH (30 KM/H), and your vehicle is less than 2.7 seconds away from the vehicle behind, audible and visual warnings will be generated.

NOTE: Feature only available when the Rear Camera is connected.



7. Blind Spot Warning

The Blind Spot Warning system monitors approaching vehicles in adjacent lanes and warns if you try to pull out. The detection range increases with higher speeds up to 12.5 meters.

Preliminary Alert

When your vehicle's speed exceeds 7 MPH (10 KM/H) and another vehicle approaches from your left rear, orange warning light on the left will stay on. If the vehicle approaches from your right rear, green warning light on the right will stay on.


Secondary Alert

When your vehicle's speed exceeds 20 MPH (30 KM/H) and another vehicle approaches from behind on either side, the warning light will remain on with an alert sounding every 3 seconds.

NOTE: Feature only available when the Rear Camera is connected.



Media Setting

Click  to open menu and navigate to "Media Setting".	
Keypad Tone	ON or OFF.
Video Volume	High, Mid or Low.
Startup Sound	ON or OFF.
Alarm Sound Setting	Customize the alert system on your AI Dashcam, either by turning it off or choosing between an alarm sound or a voice alert.
Anti Flicker	50Hz or 60Hz.
Date Stamp	ON or OFF.

Video Setting

Navigate to "Video Setting" in menu.	
Resolution	4K, 2K (1440P) or FHD (1080P).
G-Sensor	High, Mid, Low or OFF.
Parking Monitor	ON or OFF. (Feature ONLY available when the Dashcam is hardwired.)
Loop Record	1 Min, 3 Mins or 5 Mins.
Audio Recording	ON or OFF.

Camera Setting

Navigate to "Camera Setting" in menu.	
Resolution	12M (4608x2592), 8M (3840x2160) or 5M (3072x1728)

System Setting

Navigate to "System Setting" in menu.	
Screen Save	1 Min, 3 Mins, 5 Mins or OFF. (Screen will dim to a digital clock interface after the specified time you select.)
WiFi	ON or OFF.
Date & Time	Set the date and time.
Date Format	Select your desired date format.
Digital Clock	ON or OFF.
Plate Stamp Setting	Enter your vehicle license plate number here. When you set this to ON, your plate number will show on all recorded media files alongside the date and YADA logo stamp.
Speed Unit	MPH or KM/H.
Format	Select to erase all data stored on the MicroSD card.
Default Setting	Reset settings to factory defaults.
Device Info	Show current firmware version.
Regulatory Info	Show regulation related information.

DOWNLOADING THE APP



The auto-sync feature in the YADA Drive APP allows you to

- 1) Synchronize the Dashcam's time with your phone's time,
- 2) Manage the Dashcam's functions from your phone, and
- 3) View and download recorded videos.

To access this feature, scan the QR code on the right or search for "YADA Drive" on the APP Store or Google Play. Download and install the APP.



Compatible with iPhone, iPad, Mac and iPod touch with iOS 11 or higher.



Compatible with devices with Android™ 7.0 or higher.

SETTING UP THE APP

Auto-sync with the Dashcam

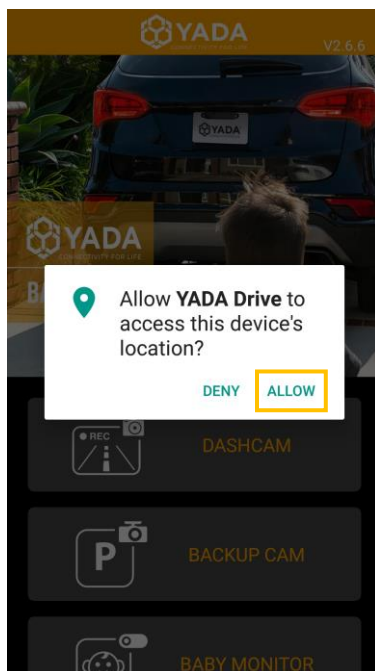
1. Open the Dashcam's menu and navigate to "System Setting".
2. Go to "WiFi". The designated QR code will appear on the Dashcam.

NOTE: Make sure that WiFi is ON.

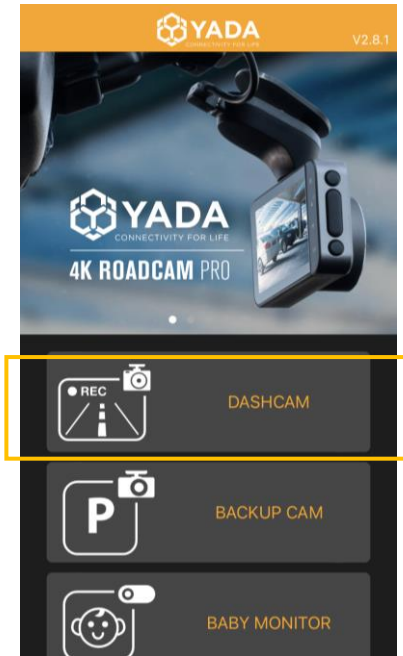


Android Device

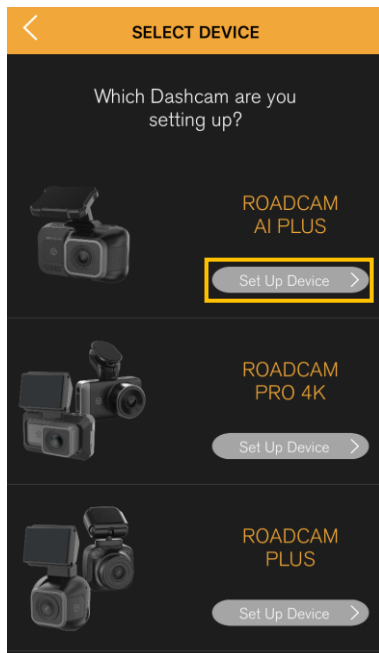
3. Run the YADA Drive APP. Click "Allow" in the pop-up message when prompted to allow the APP to access your location.



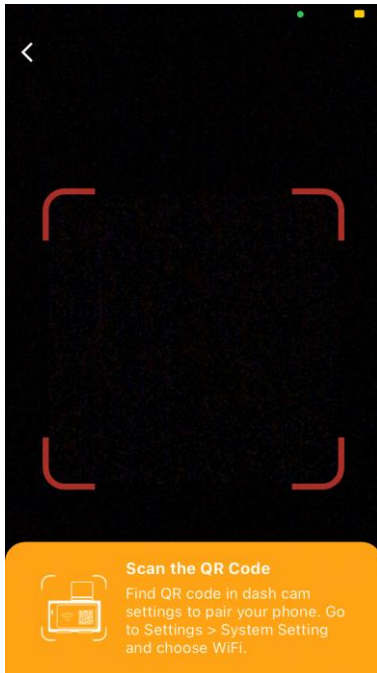
4. Select the "DASHCAM" category.



5. Select ROADCAM AI PLUS and click "Set Up Device".

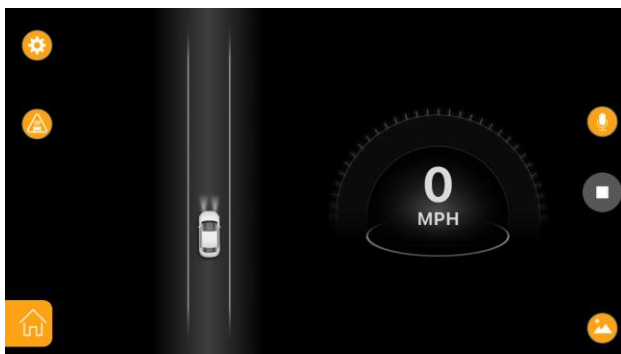


6. Scan the QR code on the Dashcam.



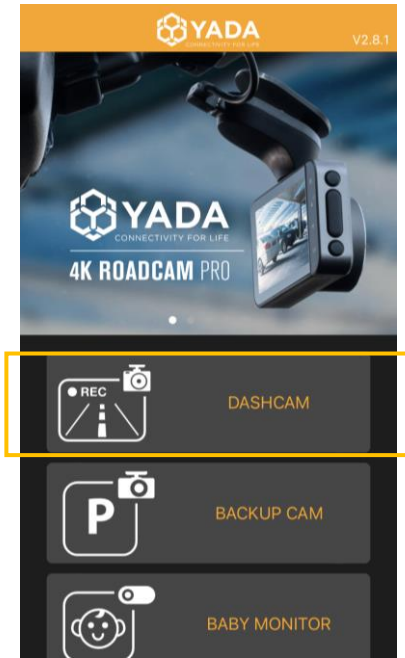
7. Once connected, you will be able to see the Dashcam's live view through the APP.

NOTE: After the initial sync, the APP remembers your Dashcam's network so that you will be automatically directed to the live view the next time you join, without the need for manual reconnection.

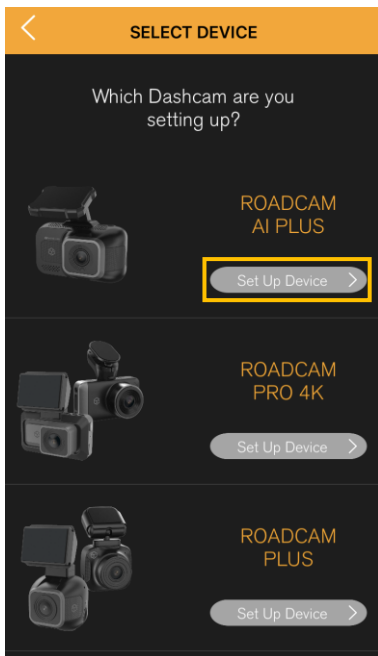


iOS Device (Follow Steps 1-2 from previous instructions)

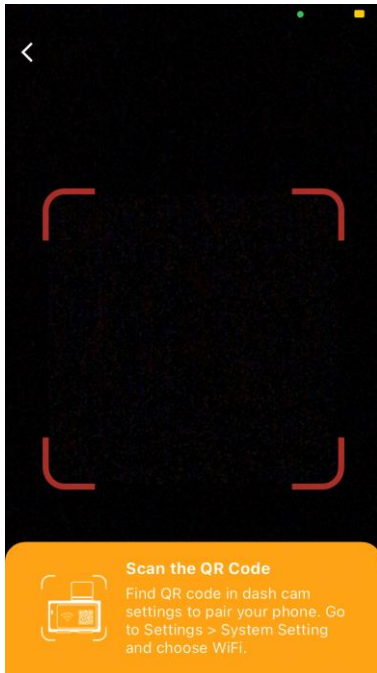
3. Please make sure Bluetooth, Location Services and Local Network Access are enabled on your device.
4. Run the YADA Drive APP and select the “DASHCAM” category.



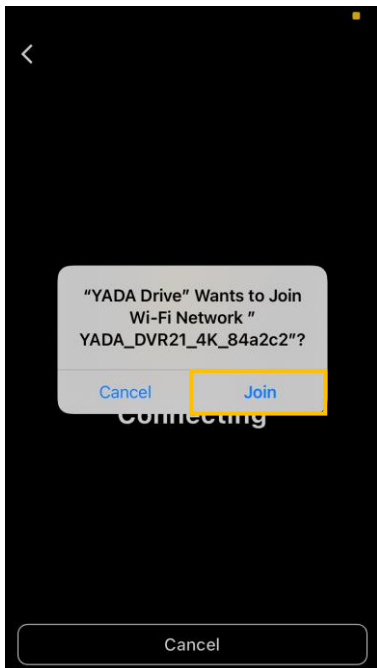
5. Select ROADCAM AI PLUS and click “Set Up Device”.



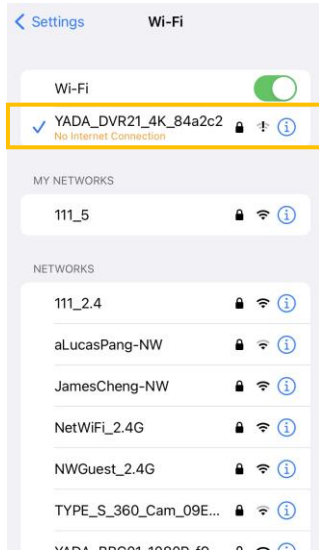
6. Scan the QR code on the Dashcam.



7. Click "Join" in the pop-up message when prompted to connect to the Dashcam's WiFi network.

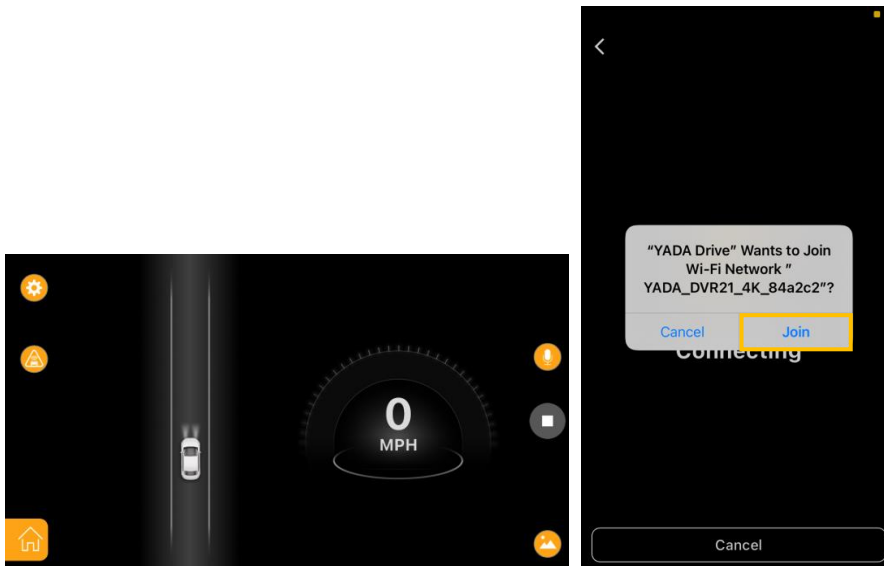


8. (Optional) If there is any issue with the auto pairing, exit the APP and navigate to the WiFi setting page on your device. Connect to "YADA_DVR21_4K_xxxxx" with the default password "12345678", then return to the APP.



9. Once connected, you will be able to see the Dashcam's live view through the APP.

NOTE: After the initial sync, the APP remembers your Dashcam's network so that you can simply click "Join" to reconnect next time.



ADDITIONAL FEATURES

Automatic ON / OFF

When the Dashcam is connected to the vehicle's power, it will power on and start recording when the vehicle engine starts. When the engine is off, the Dashcam will stop recording and power off automatically.

Smart Incident Recording

When the G-Sensor detects a sudden impact such as collision, it'll automatically lock and store the footage in the "Event" folder so that it doesn't get overwritten by the loop record feature.

NOTE: The G-Sensor sensitivity can be adjusted in the video setting page according to actual needs.

FAQs

- 1) Problem: The Dashcam is unable to take pictures or record videos.

Solution: Please try formatting the MicroSD card (Menu – System Setting – Format).

- 2) Problem: The Dashcam is showing that the memory card is full.

Solution: Please 1) Switch the G-Sensor to "Mid" or "Low", 2) Take the MicroSD card out and clear the "Event" folder manually via your computer.

- 3) Problem: Message showing "The file is crashed" or "SD card error".

Solution: Please try formatting the MicroSD card (Menu – System Setting – Format).

- 4) The image or video looks foggy.

Solution: Please 1) Make sure that you've removed the protective film cover on the camera lens, and 2) Try wiping the camera lens.

- 5) Question: Can I buy and use my own MicroSD memory card?

Answer: Yes, but please make sure that you purchase one that's U3 rated with the max capacity of 512GB.

NOTE: The Dashcam is intended to be powered on when the vehicle is running. The built-in supercapacitor's primary purpose is to ensure the Dashcam shuts down correctly when you turn off the vehicle, rather than running the Dashcam extensively. For everyday use, ensure that the Dashcam remains connected to your vehicle's power source continuously.

SAFETY INFORMATION

IMPORTANT SAFETY INSTRUCTIONS

1. **SAVE THESE INSTRUCTIONS** – This manual contains important safety and operating instructions of the 12/24V cigarette lighter adapter for Model BT533642.
2. Before using the product, read all instructions and cautionary markings.
3. Do not expose cigarette lighter adapter to rain, moisture, or snow.
4. Use of an attachment not recommended or sold by the product manufacturer may result in a risk of fire, electric shock, or injury to persons.
5. To reduce risk of damage to cigarette lighter connector and cord, pull by cigarette lighter connector rather than cord when disconnecting cigarette lighter adapter.
6. Make sure cord is carefully secured so that it will not be stepped on, tripped over, or otherwise subjected to damage or stress.
7. Do not operate cigarette lighter adapter with damaged cord or cigarette lighter connector – replace it immediately.
8. Do not operate cigarette lighter adapter if it has received a sharp blow, been dropped, or otherwise damaged in any way; take it to a qualified serviceperson.
9. Do not disassemble cigarette lighter adapter; take it to a qualified serviceperson when service or repair is required. Incorrect reassembly may result in a risk of electric shock or fire.
10. To reduce risk of electric shock, unplug cigarette lighter adapter before attempting any maintenance or cleaning. Turning off controls will not reduce this risk.

WARNING: A failure to read and follow these warnings and instructions may result in a serious accident, including damaged property or a serious injury, including loss of life.

- The AI Dashcam and Rear Cam are designed as an aid to the driver in detecting large stationary objects to help avoid damaging the vehicle. However, you, the driver, must use it safely and properly. Use of the AI Dashcam and Rear Cam is not a substitute for safe, proper and legal driving.
- Never depend on the AI Dashcam and Rear Cam entirely when driving and backing up. The image on the screen is different from actual conditions. Objects viewed in the AI Dashcam display screen differ from actual distance because a wide-angle lens is used.
- If you use Rear Camera, never back up while looking only at the screen. You should always check behind and around the vehicle when backing up just as you would if the vehicle did not have the Rear Camera. Always make sure your intended path is clear. If you back up while looking only at the monitor, you may hit a vehicle, pedestrian, bicyclist, child, pet or other object resulting in injury or death. Always back up slowly.
- The area displayed by the AI Dashcam and Rear Cam is limited. The AI Dashcam does not display objects that are out of the AI Dashcam's field of view. The area displayed on the screen may vary according to vehicle orientation or road conditions. The Rear Camera does not display objects that are close to or below the bumper, underneath the vehicle, or objects out of the camera's field of view. The area displayed on the screen may vary according to vehicle orientation or road conditions.
- Be sure to check the camera's position and mounting angle before each use.

- Do not strike the AI Dashcam and Rear Cam. They are precision instruments. Otherwise, they may malfunction or cause damage resulting in a fire or an electric shock.
- This product will only provide images of items that are within the field of view of the AI Dashcam and Rear Cam. Thus, it is imperative that the AI Dashcam and Rear Cam should be kept clean and unobstructed.
- Adhere to all applicable traffic laws and motor vehicle regulations applicable to the device.
- Consult local laws and regulations for any restrictions on installation or use.
- Never allow children to play with the device. Small parts may be a choking hazard.
- There is a plastic cover over the AI Dashcam and Rear Cam. Do not scratch the cover when cleaning dirt or snow from it.
- If the temperature changes rapidly, the system may not operate normally.
- When strong light directly enters a camera, objects may not be displayed clearly.
- The screen may flicker under fluorescent light.
- The colors of objects on the AI Dashcam may differ from those of the actual objects.
- Do not use alcohol or thinner to clean the camera. This will cause discoloration. To clean the camera, wipe with a clean cloth dampened with mild cleaner diluted with water and then wipe with a dry cloth.

Safety Around and Behind Other Vehicles

Using AI Dashcam and Rear Cam is not enough to completely overcome a vehicle's blind spot. Many preventable injuries and deaths occur in driveways or parking lots when drivers do not see children, pets, or others near their vehicles. Here are a few safety tips that will help you to avoid an accident:

- Walk completely around your vehicle before getting in. Check for kids, toys, and pets before entering the vehicle and starting the engine.
- Know where children are. Have children stand in a place where they are in full view.
- Be aware of young children. Young children are small and hard to see.
- Parents, caregivers and all adults need to be vigilant in supervising children, especially when children are in the yard, driveway or parking lot playing near parked cars.
- Roll down your window so you will be able to hear what is happening outside your vehicle.
- Owners of SUVs, trucks, and vans need to take extra care to avoid hitting or running over a child.
- Teach children to move away from a vehicle whenever it is started.

MAINTENANCE & WARRANTY

Cleaning

- If dirt, rain or snow attaches to the camera, the display screen may not clearly display objects. If water droplets, snow or mud adhere to the camera lens, rinse with water and wipe with a dry cloth.
- Do not use alcohol, benzene or thinner to clean the camera. This will cause discoloration. To clean the camera, wipe with a clean cloth dampened with mild cleaner diluted with water and then wipe with a dry cloth.

Warranty

YADA LIMITED WARRANTY

YADA warrants, to the original purchaser, that its products are free from defects in material and workmanship for 1 year from the date of original purchase. Where permitted by law, YADA's liability shall be limited to that set forth in this limited express warranty. This limited express warranty shall be the exclusive remedy of the purchaser and YADA makes no other warranty of any kind aside from the limited express warranty stated above.

NOTE: Warranty only applies for North American customers of purchases made in North America.

CONDITIONS OF WARRANTY

If during the 1 year warranty period your new product is found to be defective, YADA will repair such defect, or replace the product, without charge for parts or labor subject to the following conditions:

1. All repairs must be performed by YADA.
2. All warranty claims must be accompanied by a copy of the sales receipt or bill of sale.
3. The equipment must not have been altered or damaged through negligence, accident, improper operation, or failure to follow the product instructions for installation, use, or care.
4. The replacement of parts is excluded from the warranty when replacement is necessary due to normal wear and tear.
5. Repair or replacement parts supplied by YADA under this warranty are protected only for the unexpired portion of the original warranty.
6. This is a "repair or replace" warranty only, and does not cover the costs incurred for the installation, removal or reinstallation of the product, or damage to any mobile phone device or vehicle.

OWNER'S RESPONSIBILITIES:

YADA will make every effort to provide warranty service within a reasonable period of time. SHOULD YOU HAVE ANY QUESTIONS ABOUT SERVICE RECEIVED OR IF YOU WOULD LIKE ASSISTANCE IN OBTAINING SERVICE, PLEASE CALL TOLL FREE 1.866.294.9244 DURING REGULAR BUSINESS HOURS MONDAY THROUGH FRIDAY 8:00 AM TO 5:00PM.

NOTE: Toll Free # is for North America Customers ONLY. See Customer service section for customer contact numbers for other regions/offices.

For customer service and technical support, please call us at 1.866.294.9244. If at that time it is determined that a replacement unit is needed, the support representative will issue a Return Authorization and instruct on how to get a new unit. YADA makes no other warranty of any kind aside from the limited express warranty stated herein.

DISCLAIMER OF WARRANTIES, INCLUDING WARRANTY OF MERCHANTABILITY AND WARRANTY OF FITNESS FOR PARTICULAR PURPOSE: EXCEPT AS SPECIFICALLY SET FORTH HEREIN, NO WARRANTY OR

REPRESENTATION, EXPRESS OR IMPLIED, IS MADE AS TO THE ROADCAM AI PLUS. EXCEPT AS EXPRESSLY SET FORTH HEREIN, YADA AND/OR ITS AFFILIATES EXPRESSLY DISCLAIMS, WITHOUT LIMITATION, ANY STATUTORY WARRANTIES AND ALL IMPLIED WARRANTIES, INCLUDING ANY IMPLIED WARRANTY OF MERCHANTABILITY OR FITNESS FOR A PARTICULAR PURPOSE.

YADA and/or its affiliates do not guarantee or promise that the user of Roadcam AI Plus will not be in an accident or otherwise not collide with an object and/or person. Our Roadcam AI Plus is not intended in any way to be a substitute for careful and cautious driving or for the consistent adherence to all applicable traffic laws and motor vehicle safety regulations.

The Roadcam AI Plus is not intended to be a substitute for rearview mirrors or for any other motor vehicle equipment mandated by law. Even when properly installed, our Roadcam AI Plus has a limited field of vision and does not provide a comprehensive view of the rear area of the vehicle.

YADA and/or its affiliates are not responsible for a user's intended or actual use of the Roadcam AI Plus. In no event shall YADA and/or its affiliates have any liability for any losses (whether direct or indirect, in contract, tort or otherwise) incurred in connection with the Roadcam AI Plus, including but not limited to damaged property, personal injury and/or loss of life. Neither shall YADA and/or its affiliates have any liability for any decision, action or inaction taken by any person in reliance on the Roadcam AI Plus, or for any delays, inaccuracies and/or errors in connection with the Roadcam AI Plus and its functioning.

YADA and/or its affiliates shall have no responsibility or liability for damage and/or injury resulting from accidents occurring with vehicles having the installed, and YADA and/or its affiliates, the manufacturer, distributor and seller shall not be liable for any injury, loss or damage, incidental or consequential, arising out of the use or intended use of the product.

GENERAL INFORMATION

Customer Service/Contact

IF YOU ARE EXPERIENCING ANY ISSUES WITH THE PRODUCT DURING OPERATION, DO NOT RETURN THE PRODUCT TO THE STORE. CONTACT YADA DIRECTLY FOR INSTRUCTIONS ON HOW TO RETURN/EXCHANGE THE PRODUCT.

FCC Compliance Statement:


This device complies with Part 15 of the FCC rules. Operation is subject to the following two conditions: (1) This device may not cause harmful interference, and (2) this device must accept any interference received, including interference that may cause undesired operation.

WARNING: Changes or modifications to this unit not expressly approved by the party responsible for compliance could void the user's authority to operate the equipment. The manufacturer is not responsible for any radio or TV interference caused by unauthorized modifications or change to this equipment. Such modifications or change could void the user's authority to operate the equipment.

NOTE: This equipment has been tested and found to comply with the limits for a Class B digital device, pursuant to part 15 of the FCC Rules. These limits are designed to provide reasonable protection against harmful interference in a residential installation. This equipment generates, uses and can radiate radio frequency energy and, if not installed and used in accordance with the instructions, may cause harmful interference to radio communications. However, there is no guarantee that interference will not occur in a particular installation. If this equipment does cause harmful interference to radio or television reception, which can be determined by turning the equipment off and on, the user is encouraged to try to correct the interference by one or more of the following measures:

- Reorient or relocate the receiving antenna.
- Increase the separation between the equipment and the receiver.
- Connect the equipment into an outlet on a circuit different from that to which the receiver is connected.
- Consult the dealer or an experienced radio/TV technician for help.

This equipment complies with FCC RF radiation exposure limits set forth for an uncontrolled environment. In order to avoid the possibility of exceeding the FCC radio frequency exposure limits, human proximity to the antenna shall not be less than 20cm during normal operation.

 **WARNING:** This product can expose you to chemicals including Di(2-ethylhexyl)phthalate (DEHP) and Diisononyl Phthalate (DINP), which are known to the State of California to cause cancer and birth defects or other reproductive harm. For more information go to www.P65Warnings.ca.gov.

3M VHB™ is a trademark of 3M Company.
Android is a trademark of Google Inc.
iPhone, iPad, Mac and iPod touch are trademarks of Apple Inc.

Roadcam AI Plus
4K AI Dashcam & Rear Cam Set
BT533642
Responsible Party:
YADA
2975 Red Hill Ave., Ste. 100,
Costa Mesa, CA 92626
Tel: 1.866.294.9244



Product code / Code de produit / Código del producto : BT533642

Register this product within 30 days of purchase to receive one **(1) additional year** of warranty coverage (beyond the standard 1-year warranty), along with special product offers and announcements.

Enregistrez ce produit dans les 30 jours suivant l'achat pour recevoir une couverture **supplémentaire de 1 AN** (au-delà de la garantie standard d'un an), ainsi que des offres et des annonces spéciales.

Registre este producto dentro de los 30 días siguientes a la compra para recibir un **(1) año adicional** de cobertura de garantía (más allá de la garantía estándar de un año), junto con ofertas de productos y anuncios especiales.

www.letsyada.com/register



Please contact our customer service before returning this product to the store. Our friendly representatives are happy to help with any questions or concerns you have.

Veillez communiquer avec notre service à la clientèle avant de retourner le produit au magasin. Nos représentants se feront un plaisir de vous assister pour toute question ou préoccupation.

Póngase en contacto con nuestro servicio a clientes antes de regresar este producto a la tienda. A nuestros amables representantes les dará mucho gusto ayudarlo con cualquier pregunta o inquietud que tenga.

Mon-Fri, 8am-5pm PST / Lundi au vendredi, 8h à 17h HNP / Lun-vie, 8 a. m. a 5 p. m. Hora del Pacífico
customercare@horizon-brands.com / 1.866.294.9244