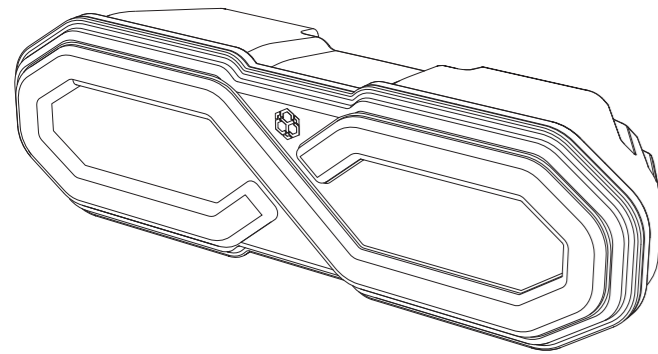




LED CHASE LIGHT

LM533858

Care & Use Instructions



Important, retain for future reference:
Read carefully

WARNINGS

IMPORTANT SAFETY INSTRUCTIONS

1. SAVE THESE INSTRUCTIONS— This manual contains important safety and operating instructions.
2. Before using this product, read all instructions and cautionary markings.
3. Do not expose the bare wires to rain, moisture, or snow.
4. Use of an attachment not recommended or sold by the manufacturer may result in a risk of fire, electric shock, or injury to persons.
5. Do not operate with damaged Chase Light – replace it immediately.
6. Do not operate the Chase Light if it has received a sharp blow, been dropped, or otherwise damaged in any way; take it to a qualified serviceperson.
7. Do not disassemble the Chase Light; take it to a qualified serviceperson when service or repair is required. Incorrect reassembly may result in a risk of electric shock or fire.
8. To reduce risk of electric shock, disconnect the Chase Light before attempting any maintenance or cleaning. Turning off controls will not reduce this risk.

CAUTIONS

1. Do not install or use product if it, in any way, impairs the safe operation of your vehicle.
2. Follow manufacturer's instructions to ensure the product is properly and safely installed.
3. Check your state or provincial laws before installing. Vehicle owner must comply with all applicable laws.
4. This product is intended for off-road purposes. Manufacturer and Seller assume no liability for installation or use, which are solely the responsibility of the purchaser.

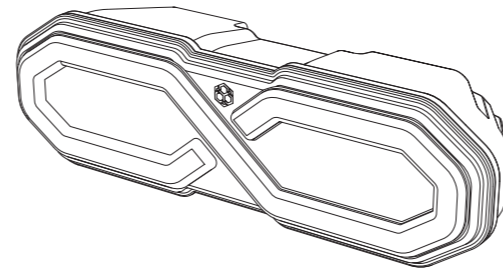
5. The Manufacturer and Seller are not responsible or liable for consequential, incidental, or indirect damages, whether to person or property, resulting from the installation or improper use of this product.

⚠ WARNING: This product can expose you to chemicals including Di(2-ethylhexyl)phthalate (DEHP) and Diisononyl Phthalate (DINP), which are known to the State of California to cause cancer and birth defects or other reproductive harm. For more information go to www.P65Warnings.ca.gov.

SPECIFICATIONS

Cable Length:	18"
LED Color:	Red & White
No. of Light Modes:	5
Voltage:	12V DC
Power Consumption:	12W
AMPS:	1A (12V)
Brake Light Lumens:	250 LM
Reverse Light Lumens:	360 LM
Vehicle Service Type:	UTV, ATV
LED Lifespan:	50,000 hours
IP Rating:	IP67-Waterproof
DOT Compliant:	Yes

PACKAGE INCLUDES



1 x 7" Chase Light



1 x Manual

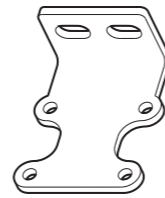


1 x Warranty Card

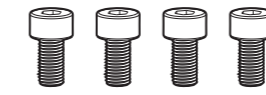


1 x 3mm Hex Allen Key for M4 Screw

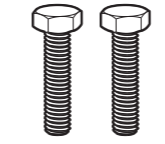
Surface Mount:



1 x L-Shaped Mounting Plate



4 x Hex Socket M4 Screws (L8)



2 x Hex Head M6 Screws (L25)



2 x M6 Washers

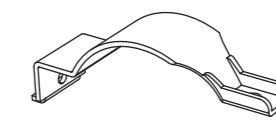


2 x M6 Spring Washers

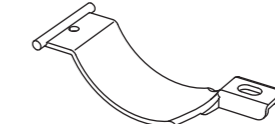


2 x M6 Nuts

Tube Mount:



1 x Upper Mounting Bracket



1 x Lower Mounting Bracket



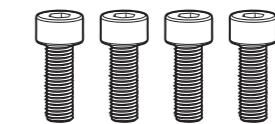
1 x Metal Plate



1 x Rubber Pad



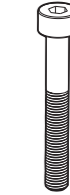
1x M4 Square Nut



4 x Hex Socket M4 Screws (L12)



1 x Hex Socket M4 Screw (L40)



1 x Hex Socket M4 Screw (L30)

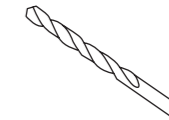


1x M4 Spring Washer

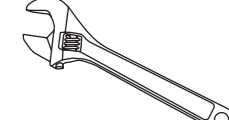


1x M4 Washer

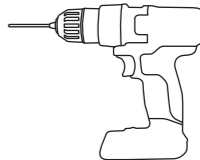
TOOLS NEEDED (NOT INCLUDED)



6.5mm Drill Bit



Wrench



Power Drill

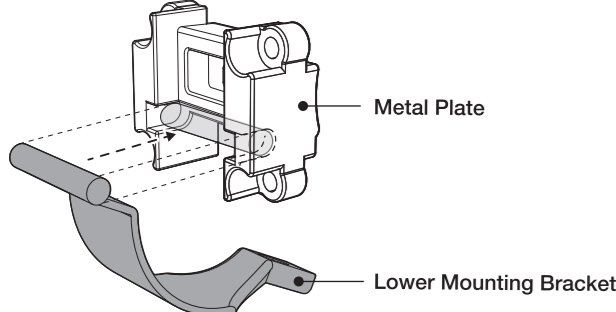


Phillips Head Screwdriver

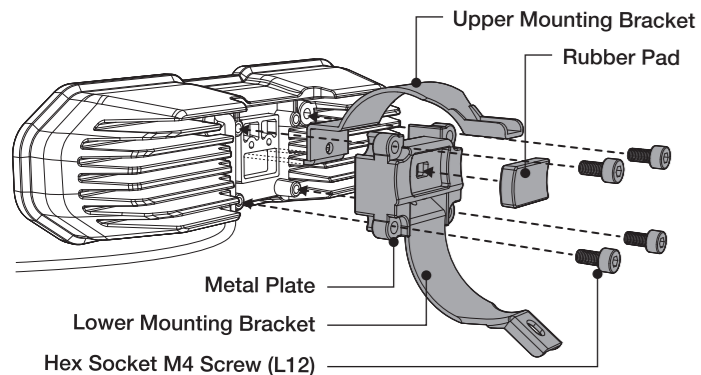
INSTALLATION

Option A – Fix on a tube using included Mounting Brackets

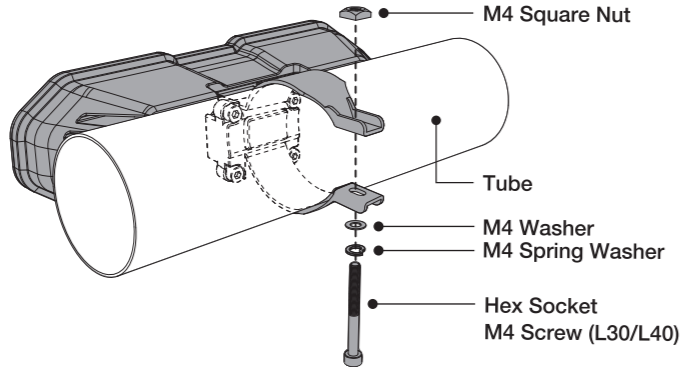
1. Insert the Lower Mounting Bracket into the slot on the Metal Plate.



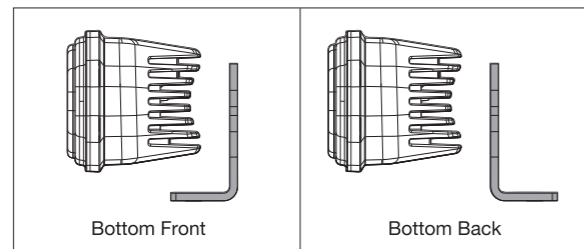
2. Align the Upper Mounting Bracket with the Metal Plate and Lower Mounting Bracket. Secure them onto the Chase Light using the Hex Socket M4 Screws (L12) with the 3mm Hex Allen Key included. Place the rubber pad into the aperture on the Metal Plate.



3. Mount the Chase Light on a tube with a 1.75" to 2" diameter. Use the Hex Socket M4 Screw (L30) for a 1.75" tube, or the Hex Socket M4 Screw (L40) for a 2" tube, along with the M4 Spring Washer, Washer and Square Nut.



Option B – Fix on a flat surface using included L-Shaped Mounting Plate

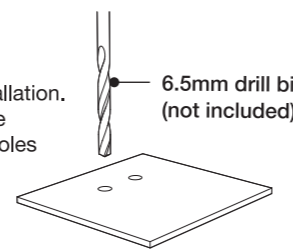


The L-Shaped Mounting Plate works in two different orientations. Select your preferred orientation and attach it to the Chase Light using the Hex Socket M4 Screws (L8). Tighten with the 3mm Hex Allen Key included.

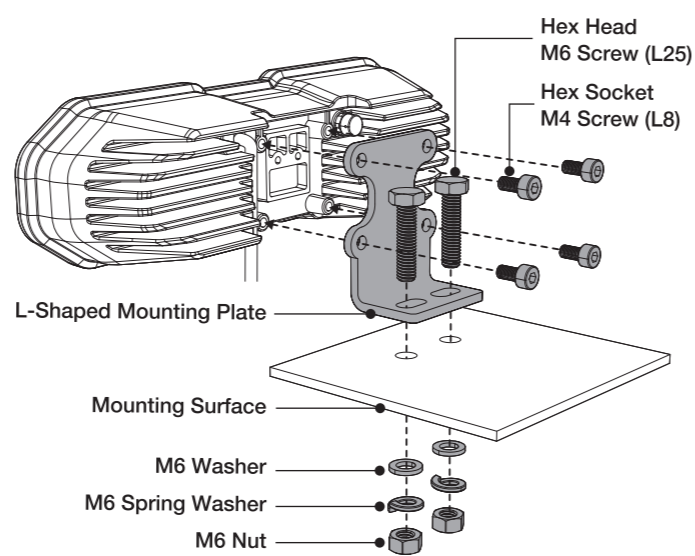
NOTE: To utilize the Courtesy/Cargo Light feature for license plate illumination, please select the bottom back mounting option, and ensure there is a minimum of 2" clearance from the license plate.

1. Choose a suitable mounting location for the Chase Light. Make sure the location is strong enough for mounting.

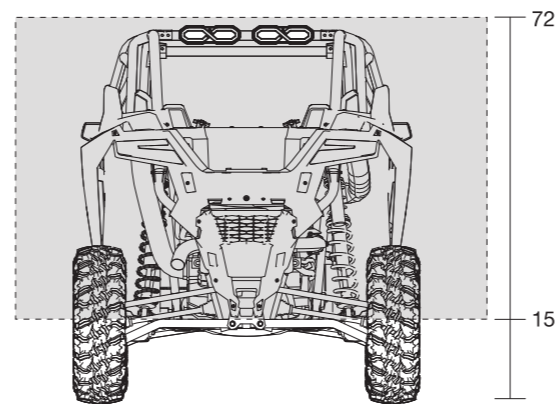
2. Mark two holes for a precise installation. Make sure nothing beneath will be damaged by drilling. Drill 2 pilot holes using a 6.5mm drill bit.



3. Secure the Chase Light to the surface using the M6 Hex Head Screws, Washers, Spring Washers and Nuts, then tighten with a wrench.



CAUTION: In accordance with DOT requirements, the brake light and running light must be mounted at a height of not less than 15" nor more than 72" above the road surface.



WIRING

1. Turn off your vehicle's ignition.
2. Hardwire the Chase Light to the vehicle's power sources as described below.

Blue Wire: Connect to reverse light (+)

Yellow Wire: Connect to 12V power source (+)

White Wire: Connect to brake light (+)

Red Wire: Connect to running light (+)

Green Wire: Connect to license plate light (+)

Black Wire: Connect to ground (-)

NOTE: Refer to your vehicle's service manual for a wire schematic detailing correct wire placement, or you can test the power sources using a multi-meter.

3. Refer to the table below for wire identification, corresponding function/light mode and priority. When wires are properly connected and multiple modes are active, the higher-priority mode overrides the lower-priority one.

Wire Color	Function/Light Mode	LED Status & Color	Priority Level
Blue	Reverse Light <small>*only available when reversing</small>	Solid white LED light	Highest
Yellow	Strobe Light <small>*only available when driving ahead</small>	Red LED light flashes	Second Highest
White	Brake Light	Solid red LED light	Next Highest
Red	Running Light	Dimmed red LED light	Lowest
Green	Courtesy/Cargo Light	White LED light beams downward	The Courtesy/Cargo Light operates independently, without being overlapped by other modes.
Black	Ground Connection	N/A	N/A

WARRANTY

YADA LIMITED WARRANTY

YADA warrants, to the original purchaser, that its products are free from defects in material and workmanship for 1 year from the date of original purchase. Where permitted by law, YADA's liability shall be limited to that set forth in this limited express warranty. This limited express warranty shall be the exclusive remedy of the purchaser and YADA makes no other warranty of any kind aside from the limited express warranty stated above.

NOTE: Warranty only applies for North American customers of purchases made in North America.

CONDITIONS OF WARRANTY

If during the 1 year warranty period your new product is found to be defective, YADA will repair such defect, or replace the product, without charge for parts or labor subject to the following conditions:

1. All repairs must be performed by YADA.
2. All warranty claims must be accompanied by a copy of the sales receipt or bill of sale.
3. The equipment must not have been altered or damaged through negligence, accident, improper operation, or failure to follow the product instructions for installation, use, or care.
4. The replacement of parts is excluded from the warranty when replacement is necessary due to normal wear and tear.
5. Repair or replacement parts supplied by YADA under this warranty are protected only for the unexpired portion of the original warranty.
6. This is a "repair or replace" warranty only, and does not cover the costs incurred for the installation, removal or reinstallation of the product, or damage to any mobile phone device or vehicle.

OWNER'S RESPONSIBILITIES:

YADA will make every effort to provide warranty service within a reasonable period of time. SHOULD YOU HAVE ANY QUESTIONS ABOUT SERVICE RECEIVED OR IF YOU WOULD LIKE ASSISTANCE IN OBTAINING SERVICE, PLEASE CALL TOLL FREE 1,866,294,9244 DURING REGULAR BUSINESS HOURS MONDAY THROUGH FRIDAY 8:00 AM TO 5:00PM.

NOTE: Toll Free # is for North America Customers ONLY. See Customer service section for customer contact numbers for other regions/offices.

For customer service and technical support, please call us at 1.866.294.9244. If at that time it is determined that a replacement unit is needed, the support representative will issue a Return Authorization and instruct on how to get a new unit. YADA makes no other warranty of any kind aside from the limited express warranty stated herein.

DISCLAIMER OF WARRANTIES, INCLUDING WARRANTY OF MERCHANTABILITY AND WARRANTY OF FITNESS FOR PARTICULAR PURPOSE: EXCEPT AS SPECIFICALLY SET FORTH HEREIN, NO WARRANTY OR REPRESENTATION, EXPRESS OR IMPLIED, IS MADE AS TO THE CHASE LIGHT, EXCEPT AS EXPRESSLY SET FORTH HEREIN, YADA AND/OR ITS AFFILIATES EXPRESSLY DISCLAIMS, WITHOUT LIMITATION, ANY STATUTORY WARRANTIES AND ALL IMPLIED WARRANTIES, INCLUDING ANY IMPLIED WARRANTY OF MERCHANTABILITY OR FITNESS FOR A PARTICULAR PURPOSE.

YADA and/or its affiliates are not responsible for a user's intended or actual use of the Chase Light. In no event shall YADA and/or its affiliates have any liability for any losses (whether direct or indirect, in contract, tort or otherwise) incurred in connection with the Chase Light, including but not limited to damaged property, personal injury and/or loss of life. Neither shall YADA and/or its affiliates have any liability for any decision, action taken based on relying on the stability or performance of the Chase Light. YADA and/or its affiliates, the manufacturer, distributor and seller shall not be liable for any injury, loss or damage, incidental or consequential, arising out of the use or intended use of the product.



2975 Red Hill Ave., Ste. 100, Costa Mesa, CA 92626, U.S.A.
1.866.294.9244 | customer@horizon-brands.com
©2023 Yada. All rights reserved.
www.letsyada.com

CONNECT WITH US    @letsyada

Made in Vietnam

ML-533858E_V1