

CLOUDNOLA

[www.cloudnola.com](http://www.cloudnola.com)



### **#Instruction Manual**

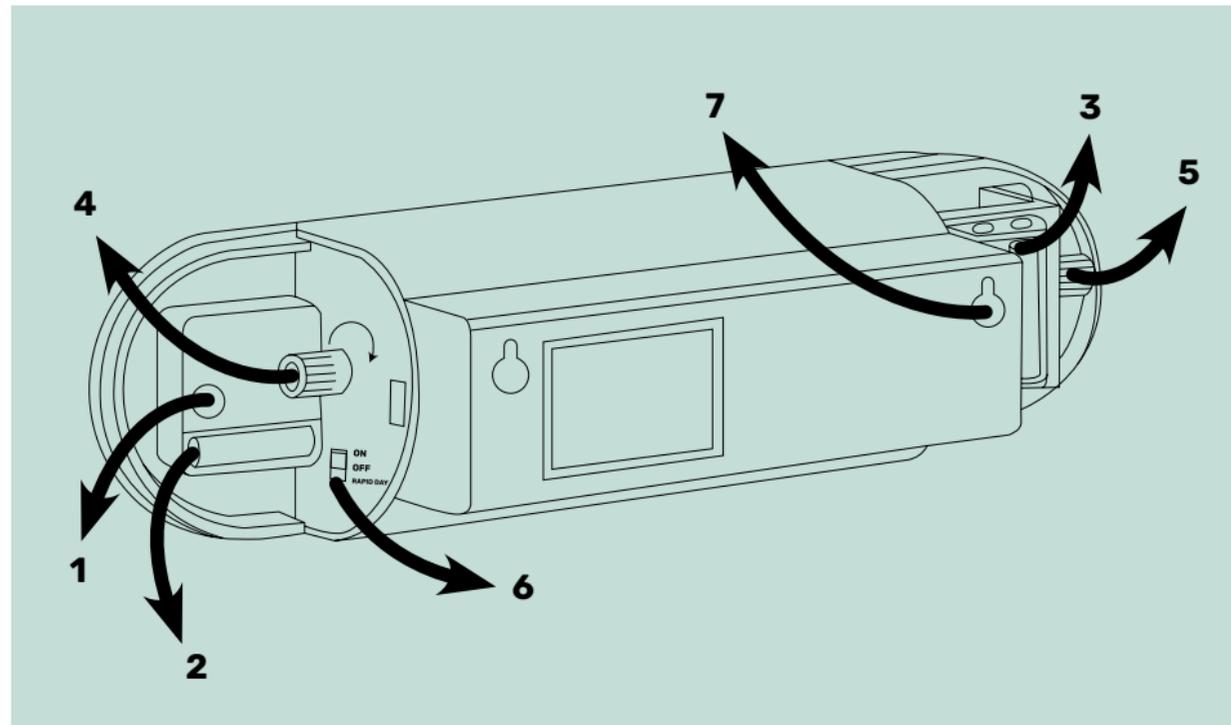
Please read this manual carefully  
before using the Date & Time Capsule

Date & Time Capsule designed by Cloudnola Studio





## INFORMATION





## MOUNTING TEMPLATE

<- 18 cm ->



± 0.4 cm

-> <-



### English

#### Components of Date & Time Capsule

1. Clock turn-knob
2. AA battery
3. AA battery
4. Week turn-knob
5. Month turn-knob
6. System switch
7. Clock hanging notch

#### A. Power adjustment-function

Please install three AA batteries in both side covers (2 & 3) for the activations of the system and the clock. Please make sure the proper connection and alignment of the positive (+) and negative (-) ends of the battery.

#### B. Clock time adjustments

The clock works the same as any other regular clocks. Turn the Clock turn-knob (1) to the correct time.

Adjustments for rapid testing of the signals:

Switch the power to "ON" (6).

There will be a STAND-BY signal every time the clock points at 11:30 during the adjustments.

Pause for 3-5 seconds upon hearing the sound of this signal, then proceed slowly with the next step.

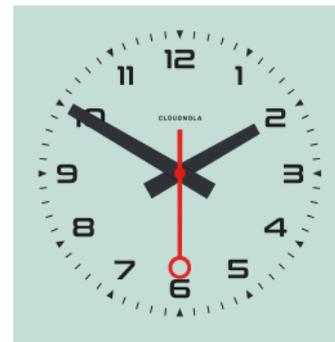
At 12:00, there will be an other signal, which is also accompanied with the movement of calendar movement occurs twice (AM and PM) a day. Pause for 3-5 seconds upon

hearing the signal, then proceed slowly with the next step once again.

At 12:00 second signal sounds and calendar movement begin.

You can move back and forth to test the signal sounds and calendar movements.

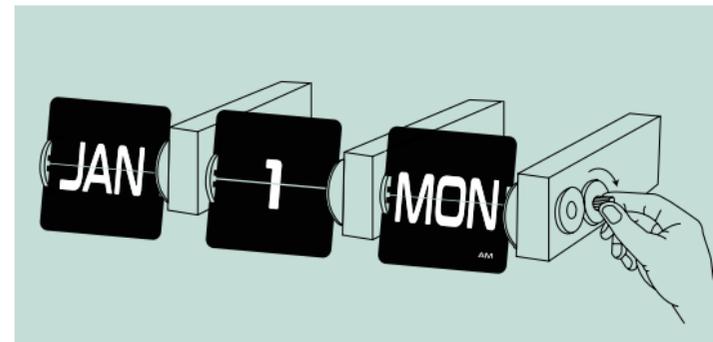
At 11:30, first (stand-by) signal occurs.



#### C. Adjustment of automatic calendar

When adjusting the calendar, turn the switch to "OFF" (6), in order from right to left (CLOCK, WEEK, DAY and MONTH):

Adjust the clock to the current time, adjust the WEEK next, (including AM or PM) by turning the WEEK turn-knob (4) clockwise as the arrow shown on the picture.



For adjusting the DAY, switch the power to "RAPID DAY" (6), when meets the current day, wait until the current date panel completes and in its position the turn switch to "OFF" (6).

Adjusting the MONTH by turning the MONTH turn-knob (5) anti-clockwise as the arrow shown on the picture.

When completed the adjustments in order by CLOCK, WEEK, DAY and MONTH, then turn the power switch to "ON" (6).

When the power is 'ON' and the calendar has not been moved correctly, please follow the steps from the beginning.

On February 29 of the leap year, it will jump right to March 1. Please follow the steps from the beginning, stop the set at February 29 and set the power "OFF" (6) for one day. Next morning will still remain the same, adjust to the correct WEEK date then turn the power to "ON" (6), and the auto-calendar clock will jump to March 1.

#### **IMPORTANT:**

- If the calendar flippers ever slip off the wheels, please open the front, clear case and put the loosen flipper(s) back to the wheel holes.
- Keep the unit away from heating ducts, fire places, humid or wet areas, or direct sunlight.
- Do not drop the unit and avoid heavy impacts.
- Please ensure batteries are installed properly.
- Do not use corrosive solution for cleaning and surface of the flip clock unit. Recommended cleaning solutions can be any one of the following: rubbing alcohol, soap or dish detergent.
- Batteries in all components should be changed at the same time, and are recommended to be replaced every year.



**Share it with  
others!  
#cloudnola**

PROBLEM	SOLUTIONS
Flip panels came off	<ol style="list-style-type: none"> <li>1. Open the unit case by unscrewing the screws.</li> <li>2. Carefully separate the front case from the back case.</li> <li>3. Insert loosened flip panel(s) back onto the wheel.</li> </ol>
Calendar does not flip	<ol style="list-style-type: none"> <li>1. Ensure the batteries are installed properly.</li> <li>2. Ensure all batteries installed are new and free from debris or residual plastic wrapping.</li> <li>3. Ensure the switch is in the ON position (available only on certain models)</li> </ol> <p><b>Advanced Trouble Shooting:</b> If the calendar still does not flip after you have completed the above steps. Please try the following:</p> <ol style="list-style-type: none"> <li>1. Manually adjust the time of the clock to 11:30.</li> <li>2. Starting from 11:30, slowly adjust the time clockwise (going forward) to 12:05, you should hear a slight noise from the motor, and the day of the week panel should flip (AM or PM).</li> <li>3. Continue to setup your flip clock using the set-up instructions.</li> </ol>
Leap year on February 29	<ol style="list-style-type: none"> <li>1. Allow the flip clock to proceed to March 1.</li> <li>2. Wait until March 1, and follow the standard set up instructions to display current date and time</li> </ol>

# Oh no! My Date & Time clock has a problem... What to do?

Check out our troubleshooting videos at YouTube!



YouTube Channel: Cloudnola