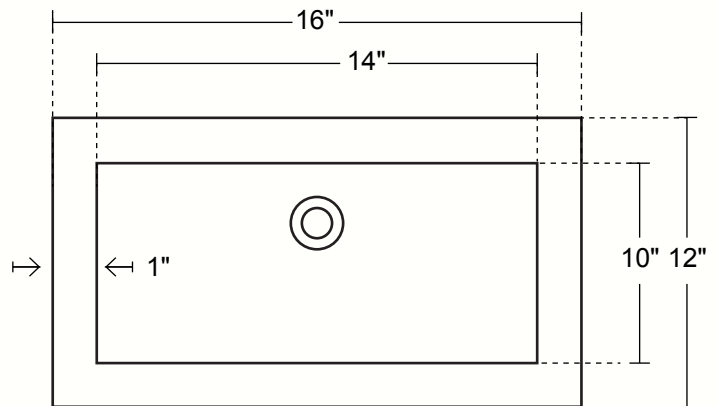


RECTANGULAR UNDERMOUNT BATHROOM SINK WITH ANGLED WALL



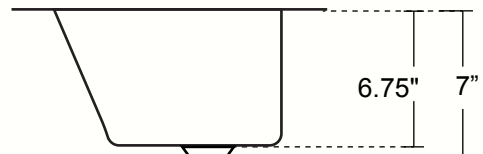
TOP VIEW



DIMENSIONS

Outside Dimensions = 16 x 12 x 7"
 Inside Dimensions = 14 x 10 x 6.75"
 Gauge = 16
 Drain = 1.5"
 Straight Rim : 1"

SIDE VIEW



INSTALLATION

Bathroom
 Undermount / Drop In

STANDARD FINISHES



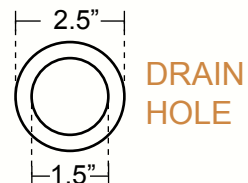
Cafe Viejo
 VS026CV



Natural
 VS026NA



Fuego
 VS026FU



DRAIN
 HOLE

Note: For Drains And Made to Order (MTO) Finishes Please Visit Our Online Store