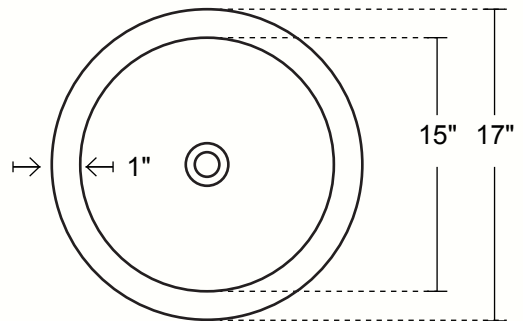


ROUND BATHROOM SINK WITH FLAT RIM



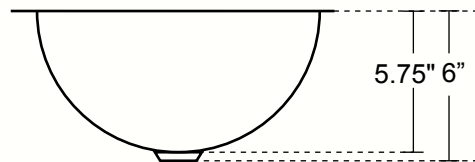
TOP VIEW



DIMENSIONS

Outside Dimensions = 17 x 6"
 Inside Dimensions = 15 x 5.75"
 Gauge = 18 (Hand Hammered Copper)
 Drain = 1.5"
 Flat Rim = 1"

SIDE VIEW



INSTALLATION

Bathroom
 Undermount / Drop In

STANDARD FINISHES



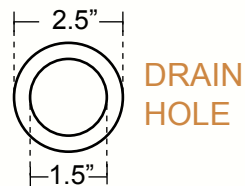
Cafe Viejo
 BS001CV



Natural
 BS001NA



Fuego
 BS001FU



DRAIN
 HOLE

Note: For Drains And Made to Order (MTO) Finishes Please Visit Our Online Store