



copper

PART #
SONOMA LARGE - BP010

RIVER SHAPE UNDERMOUNT BAR SINK



DIMENSIONS

Outside Dimensions = 51"x14"x4.5"
Gauge = 16 (Hand Hammered Copper)
Drain = 3.5"
Tolerance = +/- 1/2"
Flat Rim = 1.5"

INSTALLATION

Undermount
Drop-in

STANDARD FINISHES



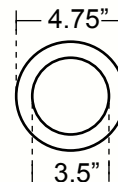
Cafe Viejo
BP010CV



Natural
BP010NA



Fuego
BP010FU



DRAIN
HOLE

Note: For Drains And Made to Order (MTO) Finishes Please Visit Our Online Store

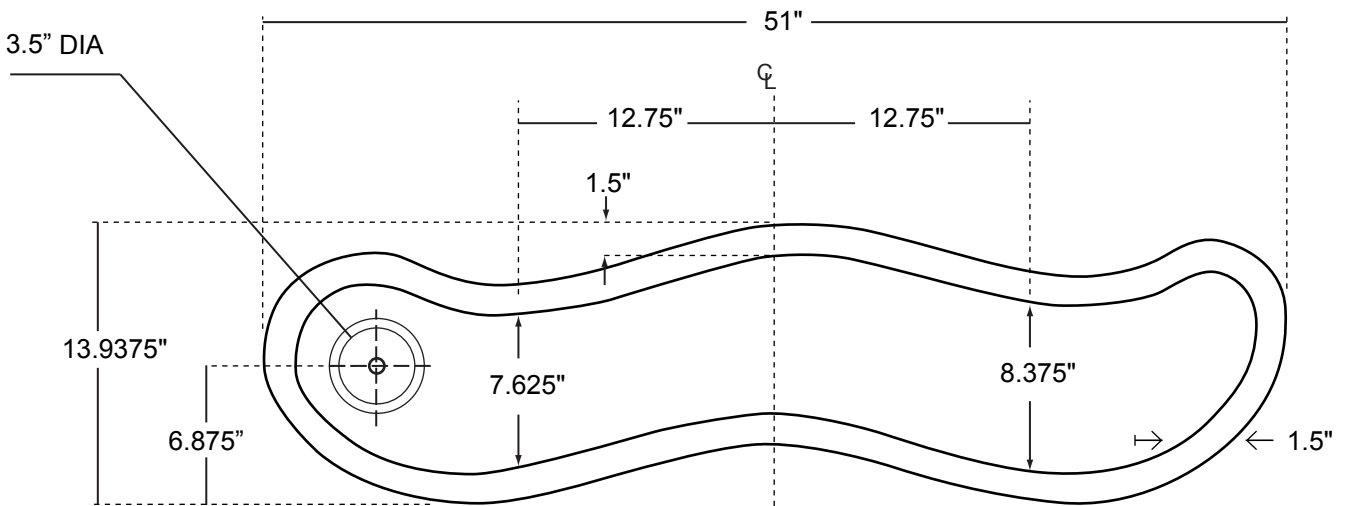


copper

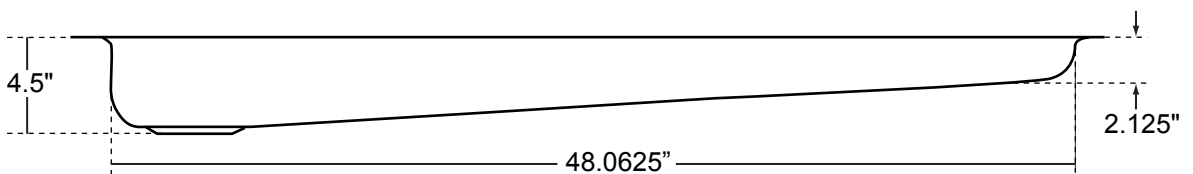
PART #
SONOMA LARGE - BP010

RIVER SHAPE UNDERMOUNT BAR SINK

TOP VIEW



SIDE VIEW



Note: For Drains And Made to Order (MTO) Finishes Please Visit Our Online Store