



copper

PART #  
SONOMA - BP009

## RIVER SHAPE UNDERMOUNT BAR SINK



### DIMENSIONS

Outside Dimensions = 28"x12.5"x4.5"  
Gauge = 16 (Hand Hammered Copper)  
Drain = 2"  
Tolerance = +/- 1/2  
Flat Rim = 1.5"

### INSTALLATION

Undermount  
Drop-in

### STANDARD FINISHES



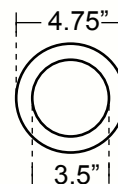
Cafe Viejo  
BP009CV



Natural  
BP009NA



Fuego  
BP009FU



DRAIN  
HOLE

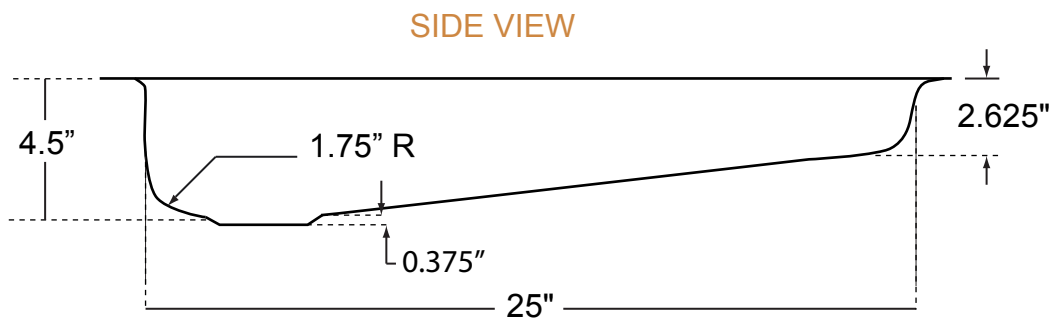
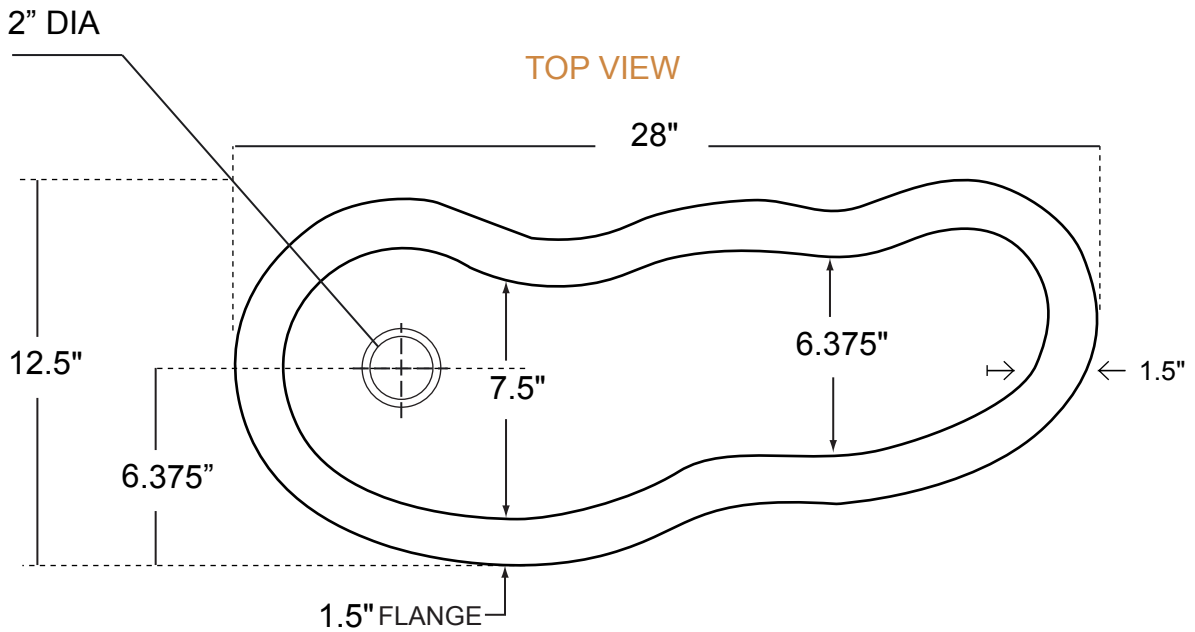
Note: For Drains And Made to Order (MTO) Finishes Please Visit Our Online Store



copper

PART #  
SONOMA - BP009

## RIVER SHAPE UNDERMOUNT BAR SINK



Note: For Drains And Made to Order (MTO) Finishes Please Visit Our Online Store