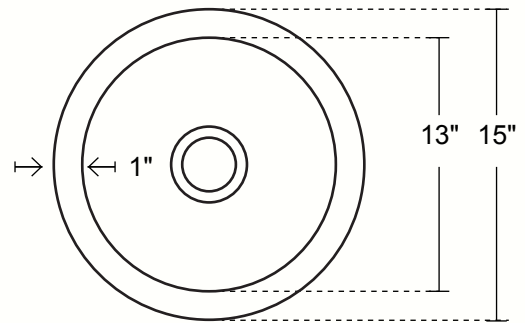


ROUND UNDERMOUNT BAR COPPER SINK WITH FLAT RIM



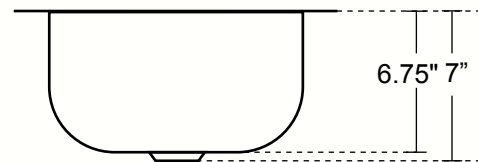
TOP VIEW



DIMENSIONS

- Outside Dimensions = 15 x 7"
- Inside Dimensions = 13 x 6.75"
- Gauge = 16 (Hand Hammered Copper)
- Drain = 3.5"
- Flat Rim = 1"

SIDE VIEW



INSTALLATION

- Undermount
- Drop In

STANDARD FINISHES



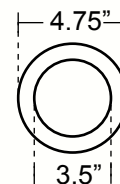
Cafe Viejo  
 BP001CV



Natural  
 BP001NA



Fuego  
 BP001FU



DRAIN  
 HOLE

Note: For Drains And Made to Order (MTO) Finishes Please Visit Our Online Store