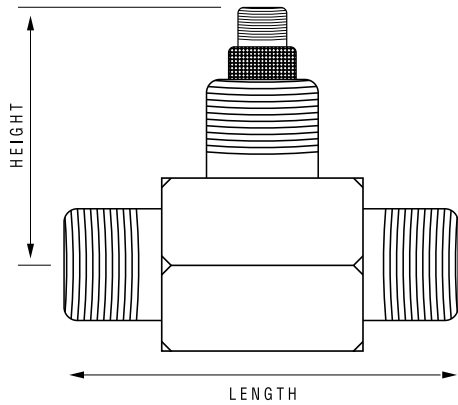


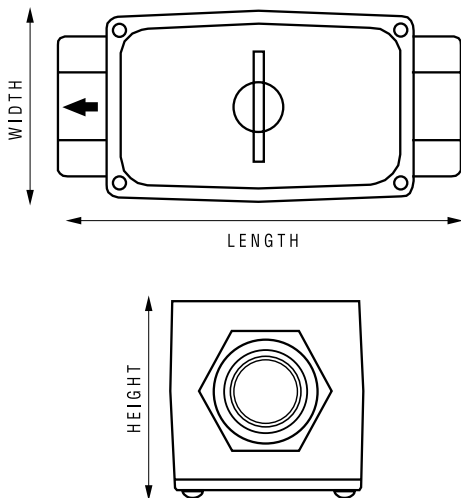
G Series Precision Meters



Size	NPT		Sanitary Clamp		Flanged*	
	Length inches (mm)	Height inches (mm)	Length inches (mm)	Height inches (mm)	Length inches (mm)	Height inches (mm)
1/2 in.	2.75 (70)	2.56 (65)	2.75 (70)	2.56 (65)	—	—
3/4 in.	3.25 (82)	2.62 (66)	3.25 (82)	2.62 (66)	5.50 (140)	2.00 (51)
1 in.	3.56 (90)	2.75 (70)	3.56 (90)	2.75 (70)	5.50 (140)	2.12 (54)
1-1/2 in.	4.59 (116)	3.00 (76)	4.59 (116)	3.00 (76)	6.00 (152)	2.50 (63)
2 in.	6.06 (154)	3.25 (82)	6.06 (154)	3.25 (82)	6.50 (165)	3.00 (76)
3 in.	10.00 (254)	3.50 (89)	—	—	10.00 (254)	3.75 (95)

* Height on flange meters, measures from center line to top of flange.

G2 Series Industrial Grade Meters

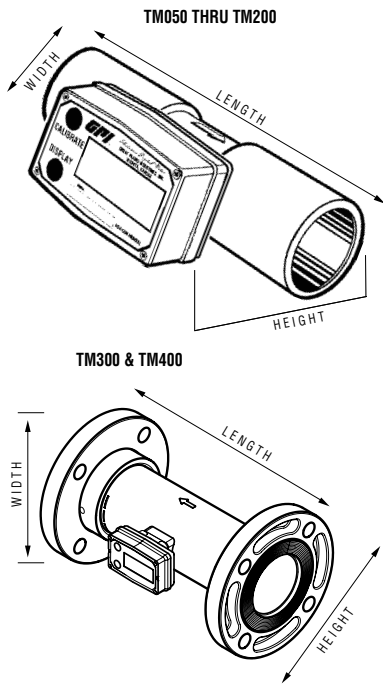


Model	Length inches (mm)	Height inches (mm)	Width inches (mm)	Model	Length inches (mm)	Height inches (mm)	Width inches (mm)
A05	4.2 (107)	1.8 (46)	2.0 (51)	H20	6.3 (160)	3.2 (81)	3.3 (84)
A07	4.3 (109)	2.0 (51)	2.0 (51)	P05	7.3 (185)	3.2 (81)	2.1 (53)
A10	4.5 (114)	2.2 (56)	2.0 (51)	P10	8.1 (206)	3.3 (84)	2.8 (71)
A15	5.3 (135)	2.8 (71)	2.7 (68)	S05	4.2 (107)	1.8 (46)	2.0 (51)
A20	6.3 (160)	3.2 (81)	3.3 (84)	S07	4.3 (109)	2.0 (51)	2.0 (51)
B05	4.2 (107)	1.8 (46)	2.0 (51)	S10	4.5 (114)	2.2 (56)	2.0 (51)
B07	4.3 (109)	2.0 (51)	2.0 (51)	S15	5.3 (135)	2.8 (71)	2.7 (68)
B10	4.5 (114)	2.2 (56)	2.0 (51)	S20	6.3 (160)	3.2 (81)	3.3 (84)
B15	5.3 (135)	2.8 (71)	2.7 (68)	S10F	6.75 (171)	4.25 (108)	4.25 (108)
B20	6.3 (160)	3.2 (81)	3.3 (84)	S15F	8.0 (203)	5.0 (127)	5.0 (127)
C05	7.3 (185)	3.2 (81)	2.1 (53)	S20F	9.50 (241)	6.0 (152)	6.0 (152)
C10	8.1 (206)	3.3 (84)	2.8 (71)	S05T	5.0 (127)	2.0 (51)	1.8 (46)
H05	4.2 (107)	1.8 (46)	2.0 (51)	S07T	5.0 (127)	2.0 (51)	2.0 (51)
H07	4.3 (109)	2.0 (51)	2.0 (51)	S10T	5.5 (140)	2.0 (51)	2.2 (56)
H10	4.5 (114)	2.2 (56)	2.0 (51)	S15T	6.5 (165)	2.7 (68)	2.8 (71)
H15	5.3 (135)	2.8 (71)	2.7 (68)	S20T	7.0 (178)	3.3 (84)	3.2 (81)

NOTE: 09 Display adds 0.67 in. (17 mm) to height.

NOTE: Dimensions are for reference only and may vary by model.

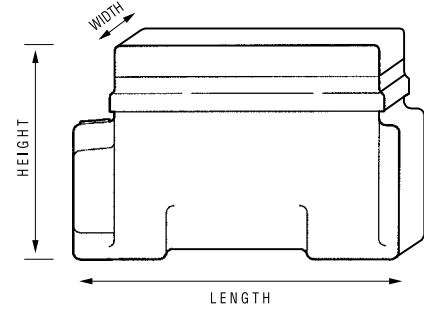
TM Meters



Model	Length* inches (mm)	Height** inches (mm)	Width inches (mm)
TM050	3.8 (96)	2.6 (66)	2.0 (51)
TM050-N	5.8 (147)	2.6 (66)	2.0 (51)
TM075	3.8 (96)	2.7 (68)	2.0 (51)
TM075-N	5.8 (147)	2.7 (68)	2.0 (51)
TM100	4.1 (104)	3.1 (79)	2.0 (51)
TM100-N	6.1 (155)	3.1 (79)	2.0 (51)
TM150	5.4 (137)	3.7 (94)	2.1 (53)
TM150-N	7.4 (188)	3.7 (94)	2.1 (53)
TM200	5.5 (140)	4.2 (107)	2.4 (61)
TM200-N	7.5 (190)	4.2 (107)	2.4 (61)
TM300 (Spigot)	11.5 (292)	5.34 (136)	3.5 (89)
TM400 (Spigot)	13.5 (343)	6.34 (161)	4.5 (114)
TM300 (NPT)	14.7 (373)	5.78 (147)	4.37 (111)
TM400 (NPT)	17.0 (432)	6.76 (172)	5.34 (136)
TM300 (Flange)	12.0 (305)	7.5 (190)	7.5 (190)
TM400 (Flange)	14.0 (356)	9.0 (229)	9.0 (229)

* Length guidelines are estimates; actual length can vary up to $\pm 1/2$ ".
 ** Display display adds 1.1 in. (28 mm) to height.

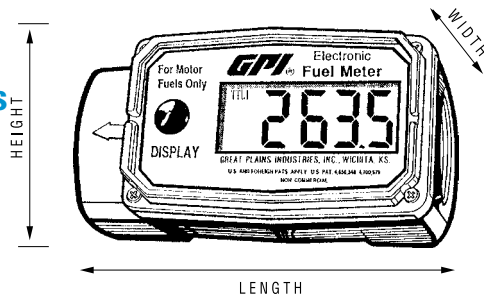
A1 Series Meters



Model	Length inches (mm)	Height inches (mm)	Width inches (mm)
A025	4.0 (102)	2.5 (63)	2.0 (51)
A100	4.0 (102)	2.5 (63)	2.0 (51)
A200	6.0 (152)	4.5 (114)	3.0 (76)
N025	4.0 (102)	2.5 (63)	2.0 (51)
N100	4.0 (102)	2.5 (63)	2.0 (51)

Economy Meter

01 Series

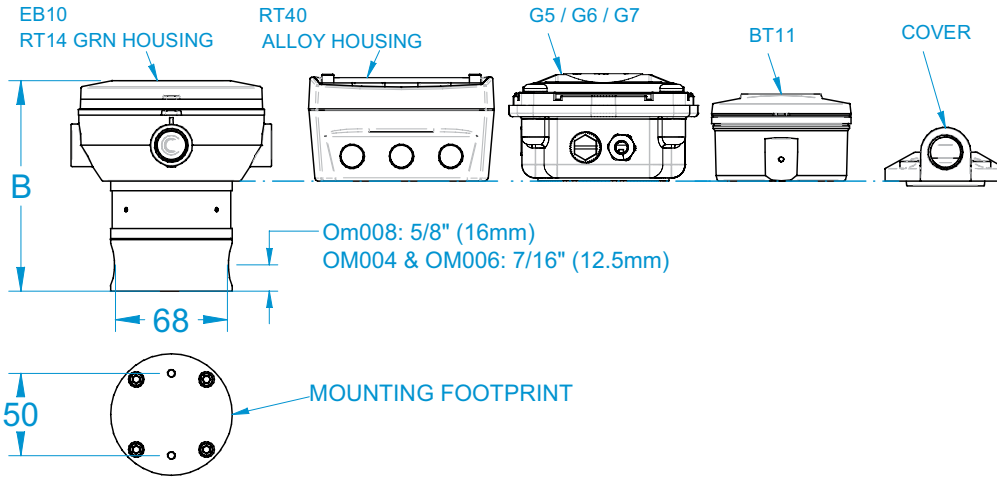
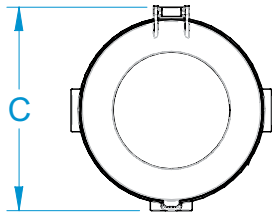


Model	Length inches (mm)	Height inches (mm)	Width inches (mm)
01A	4.0 (102)	2.5 (63)	2.0 (51)
01N	4.0 (102)	2.5 (63)	2.0 (51)

OM Series Oval Gear Meters

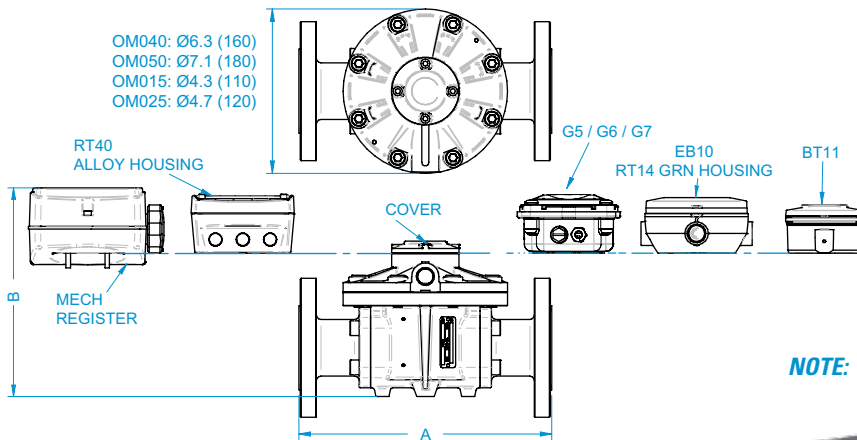
All dimensions are inches ± .079 (millimeters ±2mm)

OPTION	B			C
	OM004	OM006	OM008	
EB10 / RT14 GRN HOUSING	4.8 / 122	4.8 / 122	5.0 / 129	4.9 / 124
RT40 ALLOY HOUSING, G5 / G6 / G7	4.9 / 125	4.9 / 125	5.2 / 132	3.8 / 96
BT	4.4 / 113	4.4 / 113	4.7 / 120	3.7 / 94
COVER	3.6 / 92	3.6 / 92	3.9 / 99	2.8 / 72



All dimensions are inches ± .079 (millimeters ±2mm)

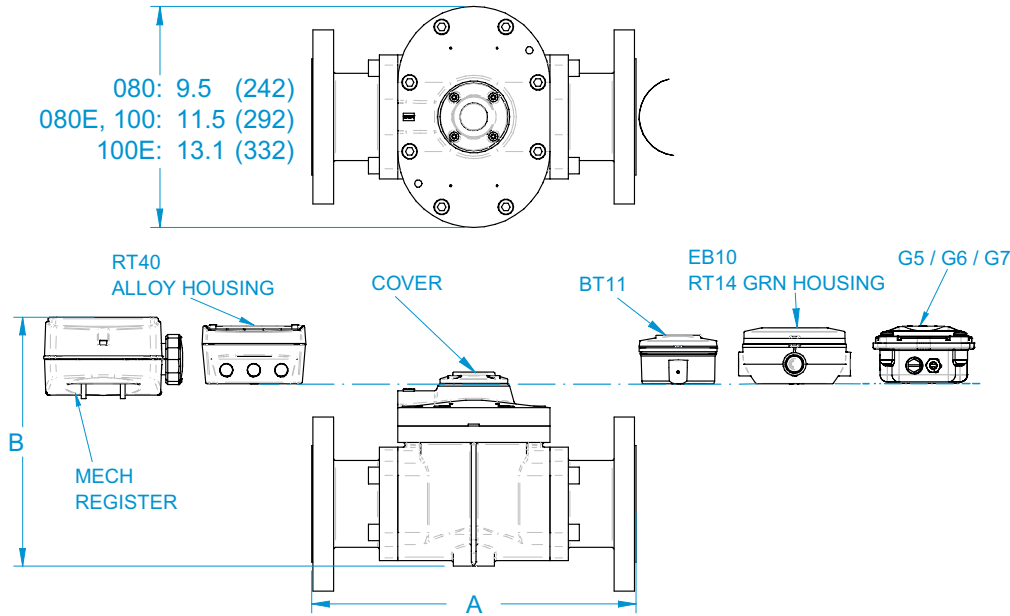
MODULAR FITTING	A						CONFIGURATION	B							
	OM015	OM025A	OM025S	OM040	OM050	OM050E		OM015A	OM015S	OM025A/P	OM025S	OM040A	OM040S	OM050	OM050E
A.N.S.I. 150 DIN16 JIS 10K	7.4 (189)	7.8 (198)	9.3 (237)	9.9 (252)	10.9 (277)	10.9 (277)	EB10/RT14 GRN Housing	6.0 (154)	5.8 (148)	6.6 (168)	6.5 (165)	7.9 (203)	7.6 (194)	8.6 (218)	10.5 (268)
							BT11 Register	5.7 (145)	5.5 (139)	6.3 (160)	6.2 (157)	7.8 (198)	7.3 (186)	8.3 (210)	10.2 (260)
							RT40 Alloy Housing, G5 / G6 / G7	6.2 (157)	5.9 (151)	6.7 (171)	6.6 (168)	8.1 (206)	7.8 (197)	8.7 (221)	10.7 (271)
B.S.P N.P.T.	4.3 (110)	5.4 (137)	6.9 (176)	7.4 (188)	8.3 (212)	8.3 (212)	Cover	4.2 (106)	3.9 (100)	4.7 (123)	4.6 (117)	6.1 (155)	5.7 (146)	6.7 (170)	8.6 (220)
							Mech. Register	7.0 (178)	6.9 (176)	7.4 (188)	8.4 (214)	8.9 (227)	8.7 (222)	9.3 (237)	11.3 (286)



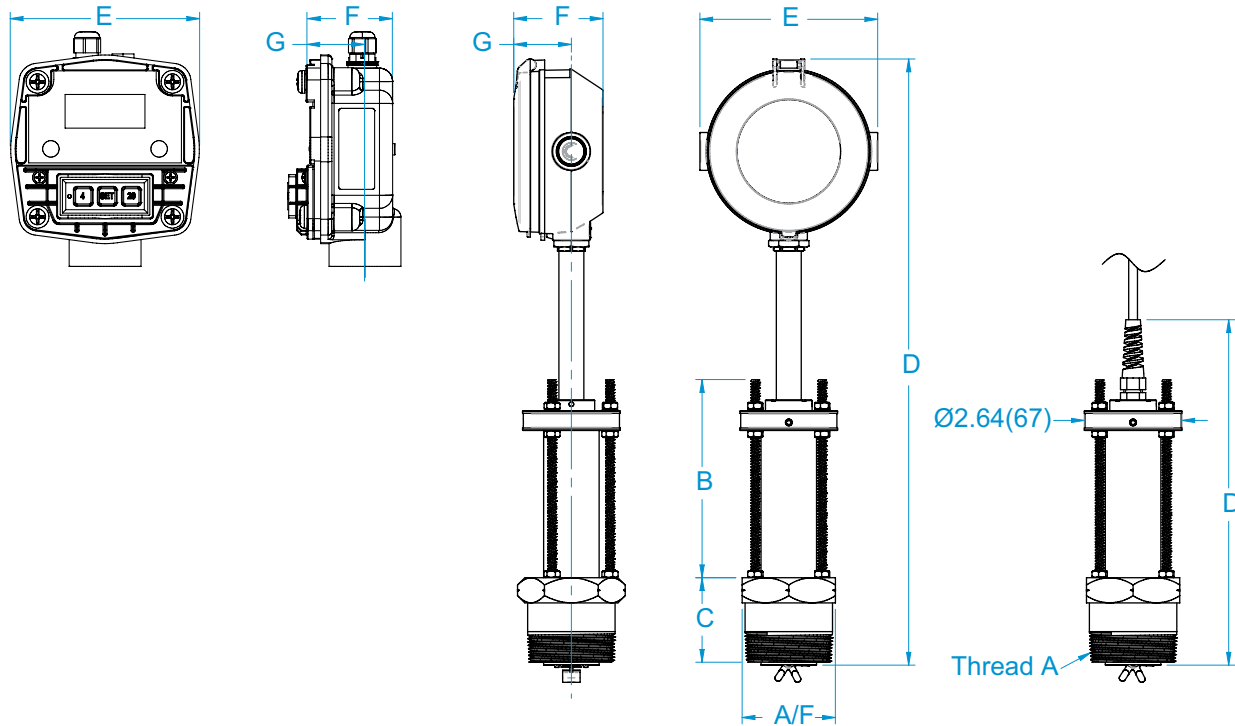
NOTE: Dimensions are for reference only and may vary by model.

All dimensions are inches ± .079 (millimeters ±2mm)

MODULAR FITTING	A				CONFIGURATION	B				
	OM080	OM080E	OM100	OM100E		OM080A	OM080S	OM080E	OM100	OM100E
A.N.S.I. 150 DIN16 JIS 10K	EB REGISTER / RT14 GRN HOUSING					10.2 / 260	10.1 / 257	10.9 / 277	12.7 / 322	15.7 / 399
	BT REGISTER					9.9 / 252	10.2 / 259	10.6 / 269	12.3 / 314	15.4 / 391
	RT40 REGISTER ALLOY HOUSING, G5 / G6 / G7					10.3 / 264	10.2 / 260	11.0 / 281	12.8 / 326	15.8 / 403
B.S.P. N.P.T	COVER					8.4 / 213	8.1 / 206	9.0 / 229	10.7 / 274	13.9 / 352
	MECH. REGISTER					10.6 / 270	N/A	11.3 / 288	13.1 / 333	16.4 / 416



DP Insertion Impeller Meter



Overall Dimensions

CONFIGURATION	DP490	DP525	All dimensions are inches ± .08 (millimeters ±2mm)		
A	1.5" BSP/NPT	2" BSP/NPT			
B	7.79 (198)	17.48 (444)			
C	1.5 (38)	2.28 (58)			
A/F	2.38 (60)	2.5 (64)			
		DP490	DP525	DP490 / DP525	
CONFIGURATION	D	D	E	F	G
Terminal Head	15.16 (385)	34.21 (869)	--	--	--
BT Register	15.51 (394)	34.65 (880)	3.35 (85)	2.09 (53)	--
RT40 Register	14.96 (380)	34.06 (865)	4.45 (113)	2.48 (63)	1.89 (48)
RT14/EB Register	16.34 (415)	35.43 (900)	4.80 (122)	2.40 (61)	--
Flying Lead	9.33 (237)	16.69 (424)	--	--	--
BT / RT14/EB Register	--	--	--	--	1.57 (40)
*GG510-DB, GX510-DB	17.54 (445-5)	36.63 (930.4)	4.2 (106.7)	2.50 (63.5)	1.7 (43.2)

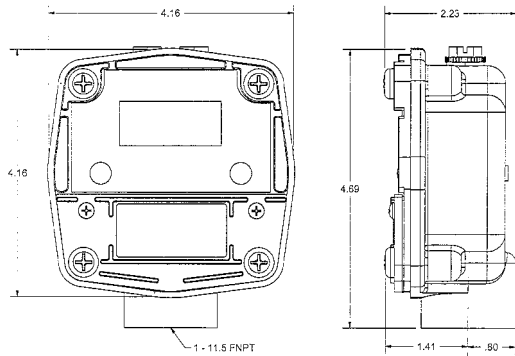
*Display Sold Separately

NOTE: Dimensions are for reference only and may vary by model.

Electronic Choice - Local & Remote

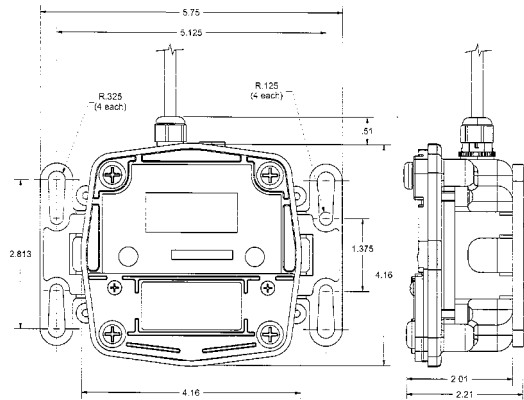
(Dimensions can vary by model.)

Local Model



Length inches (mm)	Height inches (mm)	Width inches (mm)
2.23 (57)	4.69 (119)	4.16 (106)

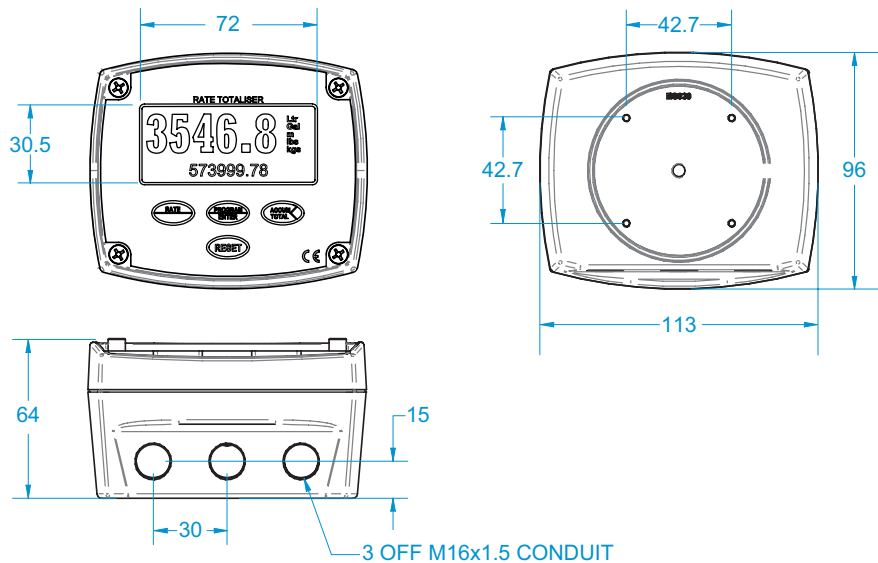
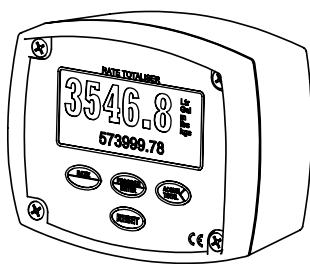
Remote Model



Length* inches (mm)	Height † inches (mm)	Width* inches (mm)
2.21 (56)	4.67 (119)	5.75 (146)

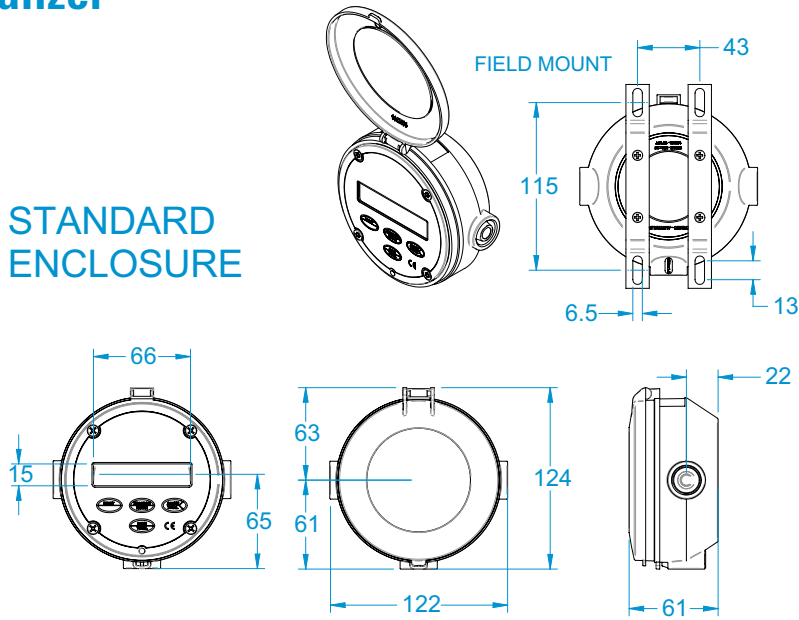
* Includes Mounting Bracket
 † Includes Strain Relief

RT40 Rate Totalizer



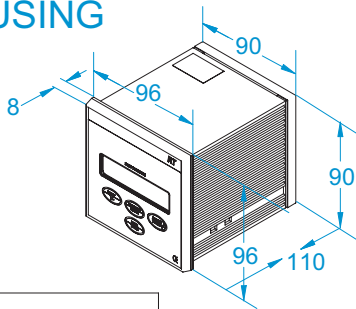
RT14 Rate Totalizer

STANDARD ENCLOSURE



EB10

DIN PANEL MOUNT HOUSING



CUTOUT DIMENSIONS
91mm x 91mm

FIELD ENCLOSURES

