

*Slayer*<sup>®</sup>

STEAM<sup>x</sup>

PARTS & ACCESSORIES LIST  
VERSION 1  
AUGUST 2019

# Parts Diagrams

Preventative Maintenance and appropriate water filtration will not only extend the life of your espresso machine, it will additionally maintain the output of high quality beverages. Only qualified service personnel should repair Slayer Espresso machines. Incorrect repair may result in injury and/or damage to the equipment. Please consult your distributor for a qualified Slayer service technician.

## CONTENTS

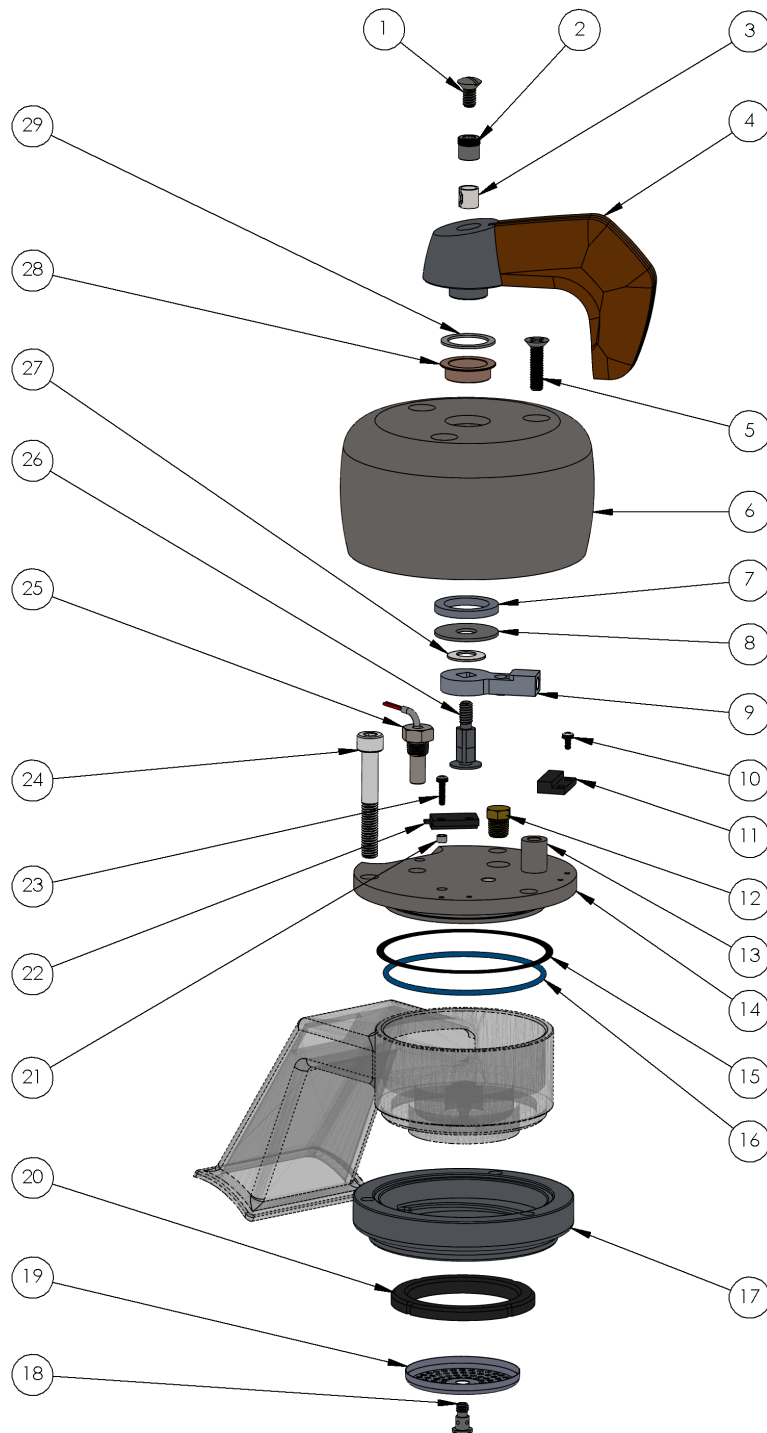
BREW GROUP HEAD COMPONENTS	3
BREW TANK COMPONENTS	5
STEAM TANK COMPONENTS	7
STEAM WAND COMPONENTS	9
STEAM ACTUATOR COMPONENTS - RIGHT/LEFT	11
HOT WATER WAND COMPONENTS	13
DRAIN CIRCUIT	15
WATER FILL CIRCUIT	17

STEAM CIRCUIT	19
HOT WATER CIRCUIT	21
DISPLAY COMPONENTS	23
ELECTRONICS PANEL COMPONENTS	25
PORTAFILTERS	27
PUMP COMPONENTS & LINES	29
DRIP TRAYS & CUP TRAYS	31
PANELS, RAILS, WINGS	33

- ⋮ Incorrect repair may result in injury and/or damage to the equipment.
- ⋮ Please consult your distributor for a qualified Slayer service technician.

# STEAM<sup>x</sup>

## BREW GROUP HEAD COMPONENTS



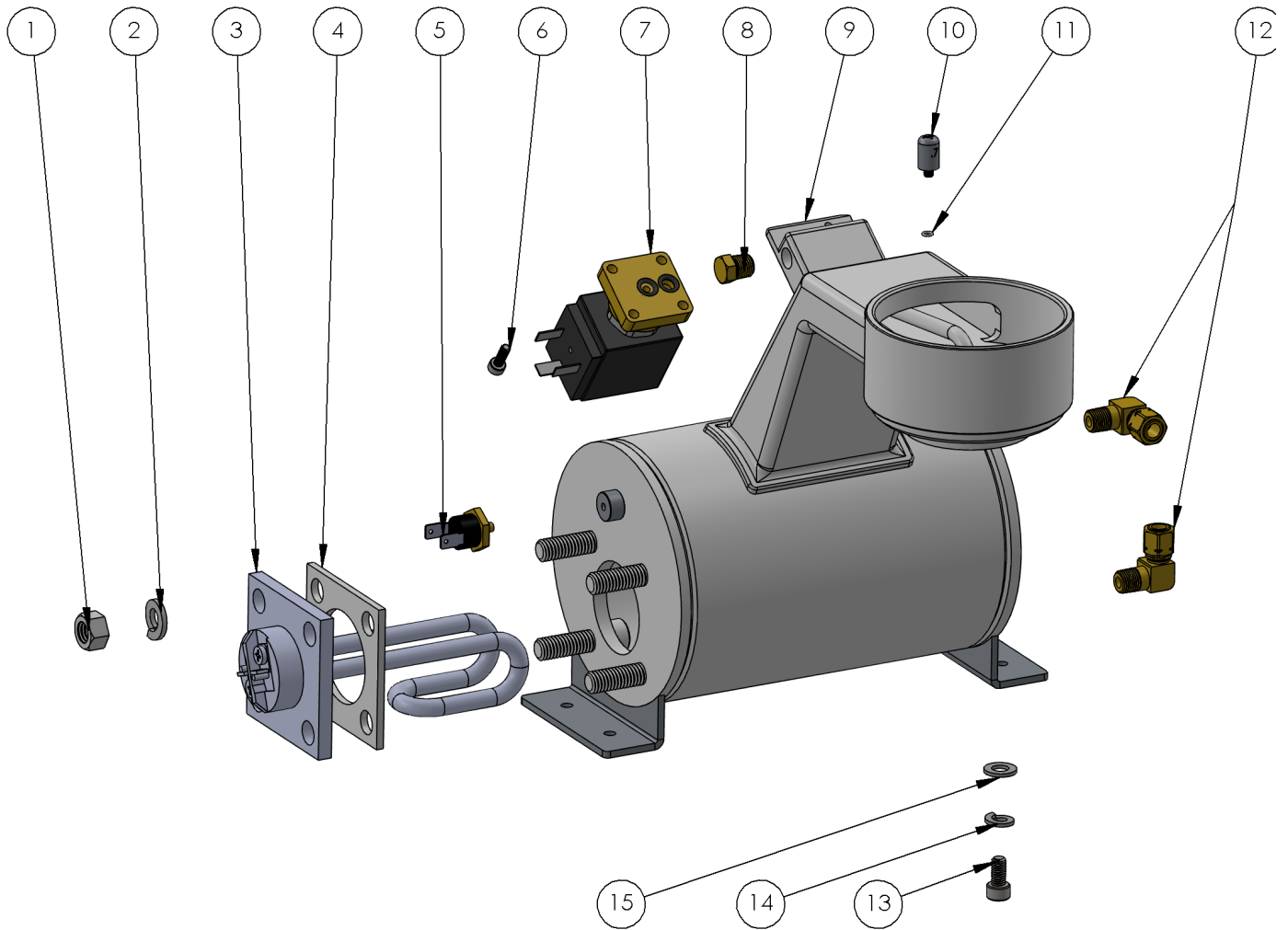
# STEAM<sup>x</sup>

## BREW GROUP HEAD COMPONENTS

ITEM NO.	PART NUMBER	DESCRIPTION
1	44000-36152	Stainless Steel Slotted Oval Head Screws, 1/4"-20 Thread Size, 1/2" Long, Polished Head
2	44000-50210	Insert Nut for Brew Handle, Stainless
3	44000-50190	Spacer for Group Handle
4	99005-56500	Brew Actuator Assembly, Slayer Steam, Duratex
5	44000-50260	Screw, Group Cover Mount, Polished Head
6	20000-16080	Group Cover
7	10000-16210	Spacer
8	44000-16220	Washer, Fender, 3/8 x 1.25 x 0.05, Stainless
9	99003-50051	Tongue Assembly
10	44000-36330	Screw and Washer for Magnet and Power Supply
11	30000-20032	Mag Switch, N/C, pinned
12	42000-34300	Fitting, Medium- Pressure, Threaded Pipe, 1/8 Pipe Size, Solid Hex-Head Plug, Brass
13	46000-50270	Stand Off for Group Cover
14	99004-16100	Brew Cap With Magnet
15	46000-50100	Gasket for Group Cap, Paper
16	46000-50090	O-Ring, FKM, 70 A, Group Cap
17	20000-56010	Bayonet Ring
18	46000-50080	Diffuser Screw, Stainless
19	46000-50073	Nano Coated Shower Screen - Custom Slayer
20	46000-56091	Gasket for Group Head, 6.1mm
21	44000-36000	Spacer for Inverted Mag Switch
22	30000-20042	Mag Switch, N/O, pinned
23	44000-36140	Screw and Washer for Inverted Magnet
24	44000-56000	Screw, Socket Head Cap, M8 Thread, 55mm Length, 1.25mm Pitch, Stainless
25	30005-20081	Thermistor, Steam - 3K3 NTC
26	10000-16161	Stem for Brew Actuator, V3
27	46000-50240	Belleville Disc Spring for Valve Assembly, Stainless
28	10000-16200	Bushing, Oilite
29	46000-53070	Gasket for Steam Valve Brew Actuator, 27mm, Teflon

# STEAM<sup>x</sup>

## BREW TANK COMPONENTS



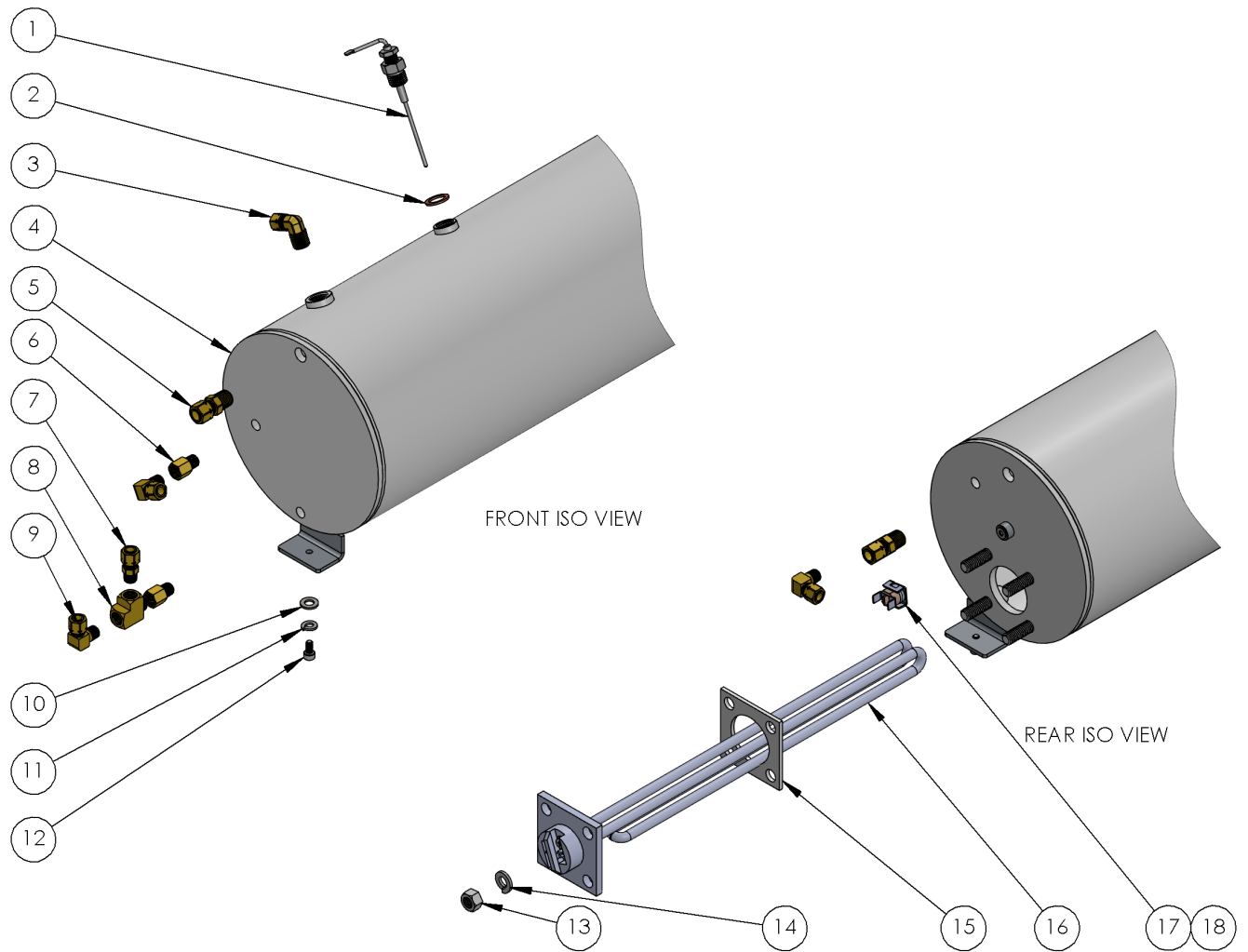
# STEAM<sup>x</sup>

## BREW TANK COMPONENTS

ITEM NO.	PART NUMBER	DESCRIPTION
1	44000-36080	Hex Nut, Element Mount
2	44000-36070	Lock Washer, Element Mount
3	30000-20130	Element, Brew, 600 Watt, 220V
4	30000-20140	Gasket, Element, Teflon
5	30000-20251	Thermostat, 110C
6	44000-36310	Screw, Socket Head Cap, M4 thread, 5mm Length, .7mm Pitch, Stainless
7	30000-20153	Valve, 3-way, Flange Mount, 2mm, 24v
8	42000-34300	Fitting, Medium- Pressure, Threaded Pipe, 1/8 Pipe Size, Solid Hex-Head Plug, Brass
9	15005-16061	Brew Tank, Slayer Steam
10	10000-16061	Giggleur, 0.7mm, V3
11	46000-10010	O-Ring for Jet Holder, 1 x 3
12	42000-34560	Fitting, 90 Deg Elbow for 1/4" Tube OD x 1/8" NPTF - M, Brass
13	44005-10012	18-8 Stainless Steel Socket Head Screw M6 x 1 mm Thread, 12 mm Long
14	44000-36110	Lock Washer, Tank Mount
15	46000-53040	Washer, Flat, M7 Screw Size, 14mm OD, 1.4mm-1.8mm Thick

# STEAM<sup>x</sup>

## STEAM TANK COMPONENTS



# STEAM<sup>x</sup>

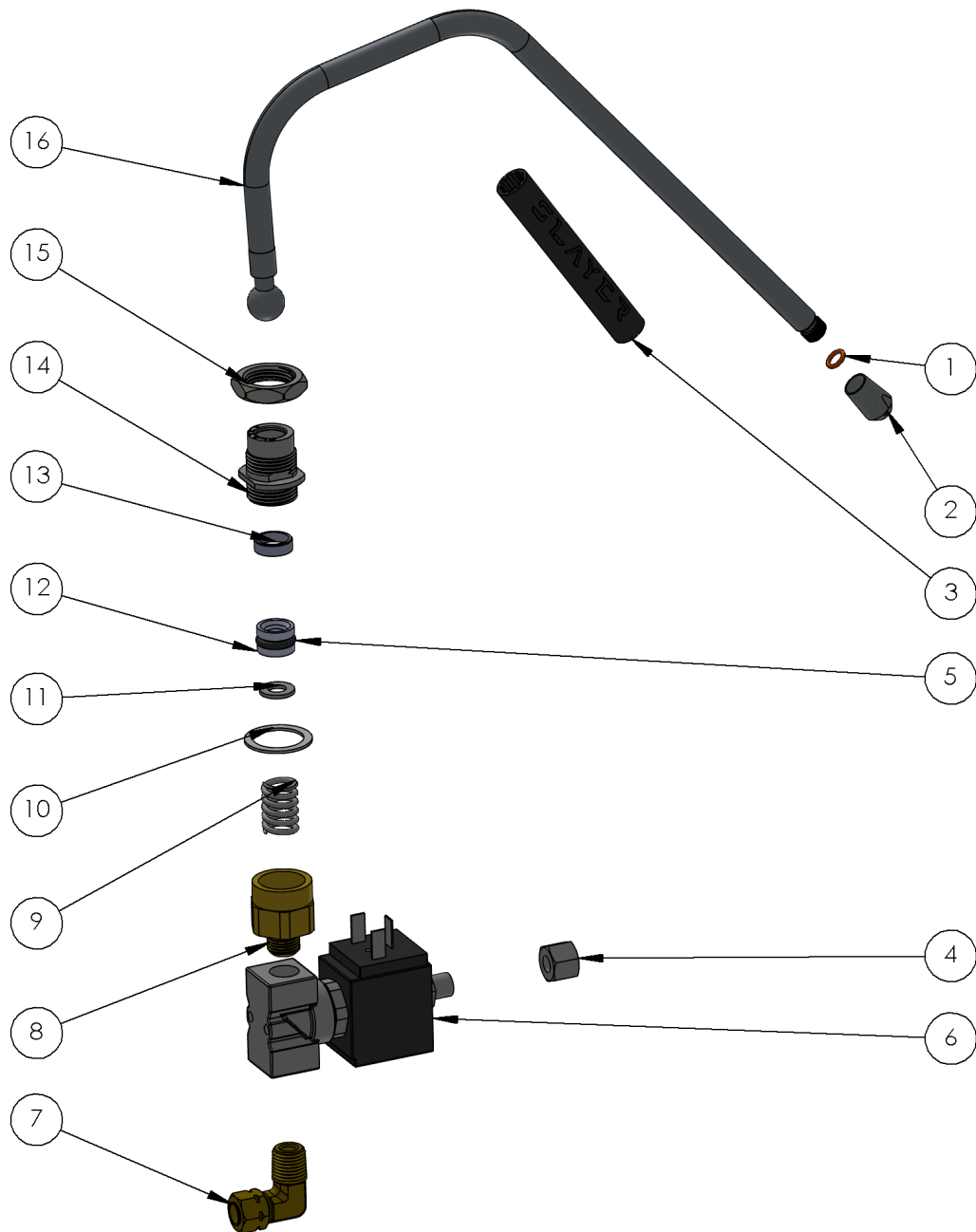
## STEAM TANK COMPONENTS

ITEM NO.	PART NUMBER	DESCRIPTION
1	30000-50170	Water Level Probe for Steam and Single Group
2	46000-50150	Gasket ,1/4", Copper for Anti Suction, Level Probe, Expansion Valve V3/Steam
3	42000-34702	Fitting, Easy-Align, Compression Tube, Elbow for 1/4" Tube OD x 1/4" - M Pipe, Brass
4	15005-12110	Steam Tank, Slayer Steam, 2 Group
	15005-13110	Steam Tank, Slayer Steam, 3 Group
5	42000-34510	Fitting, 5/16" Tube OD x 1/4" NPTF - M, Brass
6	42000-10040	Extension, Fitting, 1/8" - F x 1/8" - M
7	42000-34500	Fitting, 1/4" Tube OD x 1/8" NPTF - M, Brass
8	42000-34580	Fitting, Threaded Pipe, 1/8" Pipe Size, Tee, F x F x M, Nickel
9	42000-34560	Fitting, 90 Deg Elbow for 1/4" Tube OD x 1/8" NPTF - M, Brass
10	46000-53040	Washer, Flat, M7 Screw Size, 14mm OD, 1.4mm-1.8mm Thick
11	44000-36110	Lock Washer, Tank Mount
12	44000-36064	18-8 Stainless Steel Phillips Flat Head Screw, M5 x 0.8mm Thread, 10mm Long
13	44000-36080	Hex Nut, Element Mount
14	44000-36070	Lock Washer, Element Mount
15	30000-20140	Gasket, Element, Teflon
16	30000-20090	Element, Steam, 3500 Watt, 220V, 2 Group
	30000-20100	Element, Steam, 4500 Watt, 220V, 3 Group
17	30000-20261	Thermostat, 25A, 145C, Steam tank
18	44000-10030	Washer, Aluminum, 0.174" ID, 0.375" OD



# STEAM<sup>x</sup>

## STEAM WAND COMPONENTS



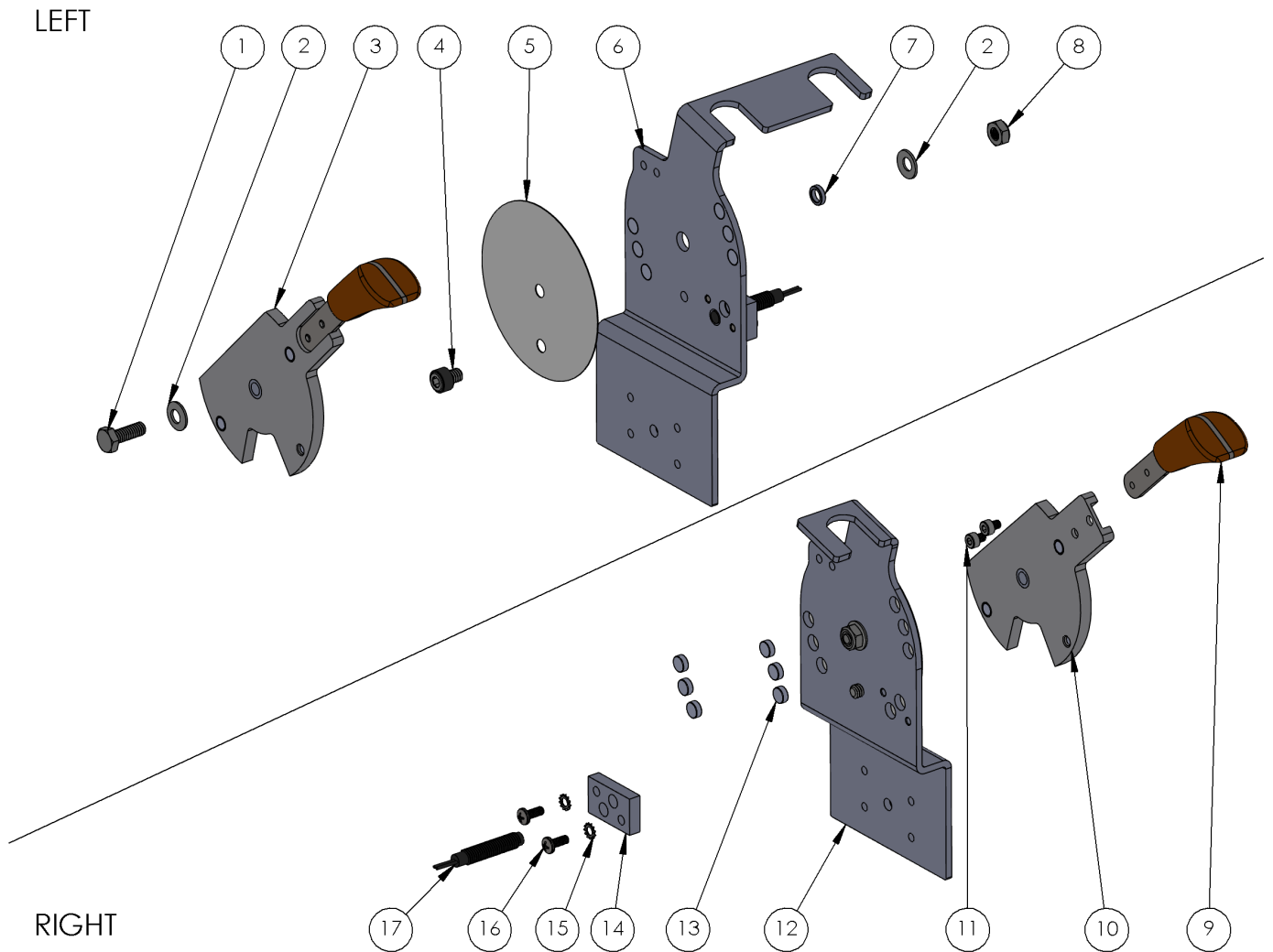
# STEAM<sup>x</sup>

## STEAM WAND COMPONENTS

ITEM NO.	PART NUMBER	DESCRIPTION
1	46000-50030	O-Ring for Steam Tip, 1.5 x 6
2	46000-50340	Steam Tip, 1.0mm, #0
	46000-50341	Steam Tip, 1.1mm, #1
	46000-50342	Steam Tip, 1.2mm, #2
	46000-50343	Steam Tip, 1.3mm, #3
	46000-50344	Steam Tip, 1.4mm, #4
	46000-50345	Steam Tip, 1.5mm, #5
3	46005-53170	Steam Wandom Grip - Slayer Branded
4	10000-10011	Plug, JIS, Female, 1/8", for 3-Way Valve
5	46000-53050	O-Ring for Peek Steam Valve Bushing
6	30000-20152	Steam X, 3 Way Solenoid, 24VDC COIL, 1/4" NPT
7	42000-34680	Fitting, Easy-Align, Compression Tube, Elbow for 5/16" Tube OD x 1/4 - M Pipe, Brass
8	46005-53010	Rear Block for Steam Assembly
9	46005-53030	Compression Spring for Steam Wand
10	46000-53070	Gasket for Steam Valve Brew Actuator, 27mm, Teflon
11	46000-53040	Washer, Flat, M7 Screw Size, 14mm OD, 1.4mm-1.8mm Thick
12	46005-53060	Bushing, 15 X 10.5mm Peek Plastic
13	46005-53110	Steam Seal, Peek Plastic
14	10005-10002	Steam, Wand Socket
15	10005-10008	Steam and Hot Water Lock Nut
16	40005-50330	Steam Wand, #3 Tip, Slayer Steam

# STEAM<sup>x</sup>

## STEAM ACTUATOR COMPONENTS - RIGHT/LEFT



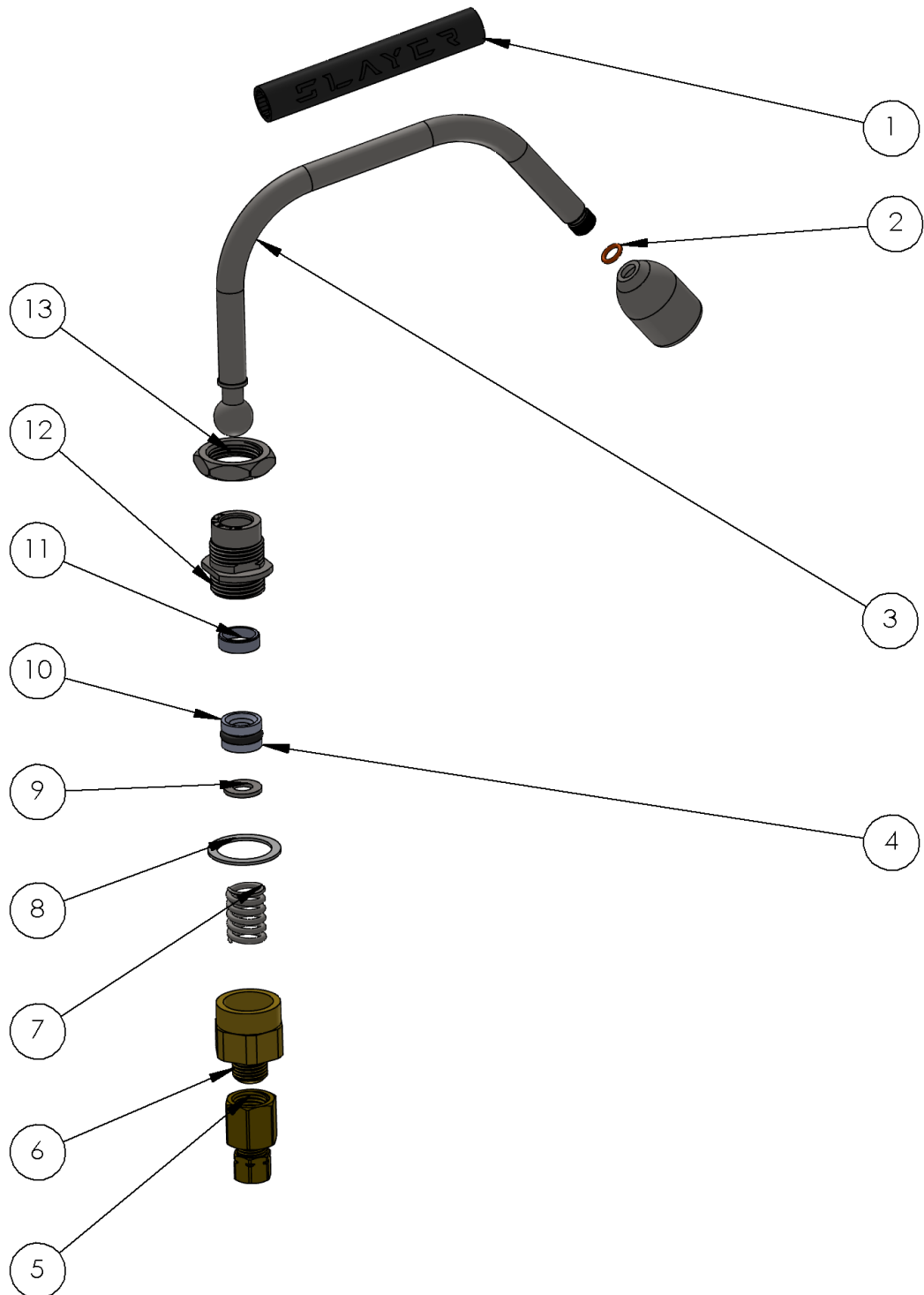
# STEAM<sup>x</sup>

## STEAM ACTUATOR COMPONENTS - RIGHT/LEFT

ITEM NO.	PART NUMBER	DESCRIPTION
1	44000-36102	Bolt, Hex Head, 1/4-20 x 3/4
2	44005-10320	Plastic Steam Actuator Disk Spring
3	99015-10004	Left Actuator Handle Assembly
4	44000-36260	Actuator, Steam, Stop Bolt, Short
5	46005-01010	Teflon Gasket
6	13005-30045	Chassis Brace, Left Front, Steam
7	10005-02010	Steam Actuator Bushing, Small
8	46005-10026	18-8 Stainless Steel Thin Nylon-Insert Locknut, 1/4"-20 Thread Size, packs of 50
9	99005-30036	Complete Duratex Steam Actuator Handle
10	99015-10003	Right Actuator Handle Assembly
11	44000-36310	Screw, Socket Head Cap, M4 thread, 5mm Length, .7mm Pitch, Stainless
12	13005-30009	Chassis Brace, Right Front, Steam
13	46003-50061	Slayer Steam Actuator Magnet, 5/16" x 1/8"
14	10005-03090	Magnetic Switch Mount
15	44005-10350	18-8 External-Tooth Lock Washer for M4 Screw
16	44005-10340	18-8 Phillips Rounded Head Screws M4 x 0.7 mm Thread 10 mm Long
17	30005-20031	Barrel Switch w/ Molex, N/C

# STEAM<sup>x</sup>

## HOT WATER WAND COMPONENTS



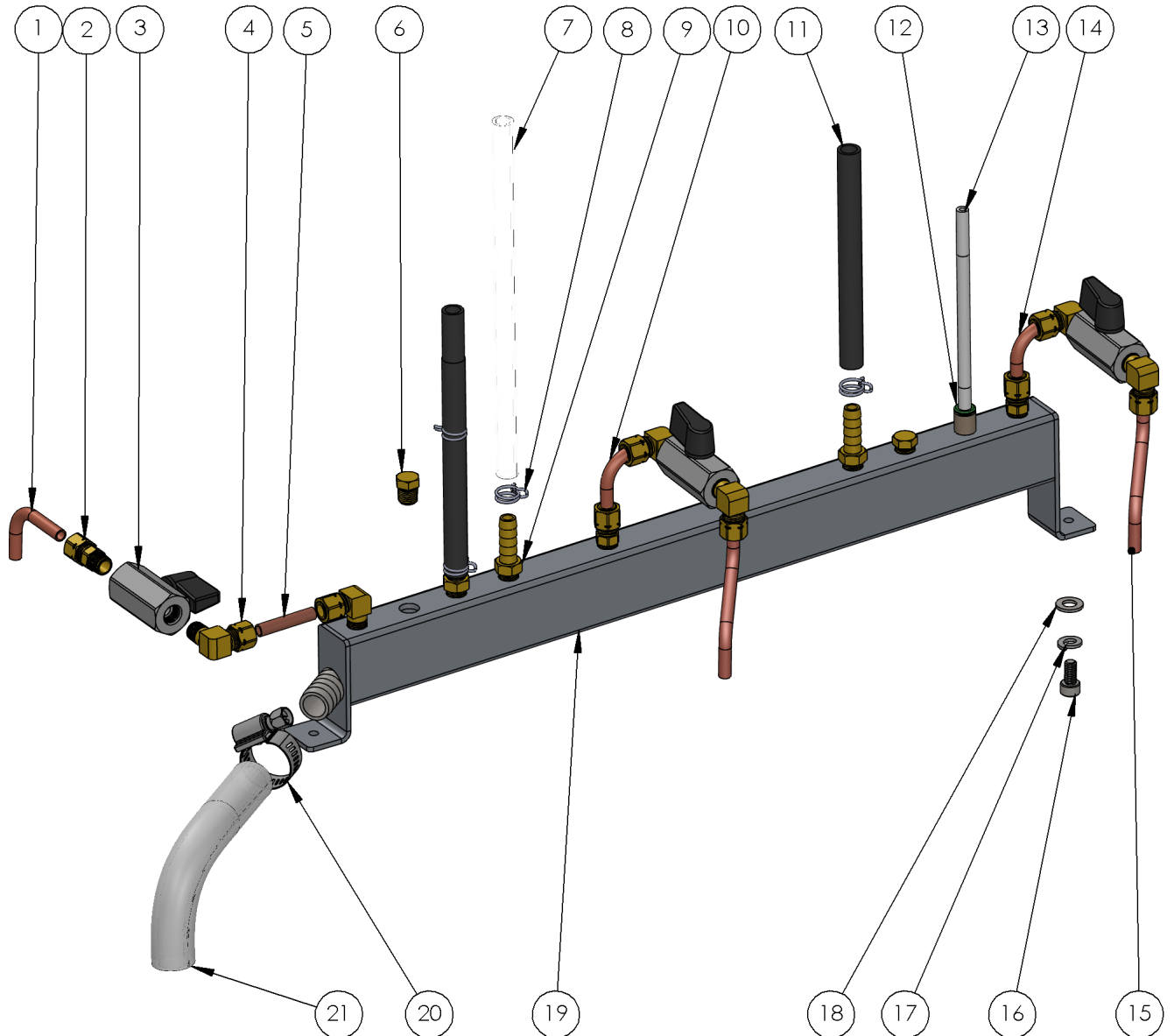
# STEAM<sup>x</sup>

## HOT WATER WAND COMPONENTS

ITEM NO.	PART NUMBER	DESCRIPTION
1	46005-53170	Steam Wandom Grip - Slayer Branded
2	46000-50030	O-Ring for Steam Tip, 1.5 x 6
3	40005-50330	Steam Wand, #3 Tip, Slayer Steam
4	46000-53050	O-Ring for Peek Steam Valve Bushing
5	42000-34710	Fitting, Easy-Align, Compression Tube, Straight Adapter for 1/4" Tube OD x 1/4 - F Pipe, Brass
6	46005-53010	Rear Block for Steam Assembly
7	46005-53030	Compression Spring for Steam Wand
8	46000-53070	Gasket for Steam Valve Brew Actuator, 27mm, Teflon
9	46000-53040	Washer, Flat, M7 Screw Size, 14mm OD, 1.4mm-1.8mm Thick
10	46005-53060	Bushing, 15 X 10.5mm Peek Plastic
11	46005-53110	Steam Seal, Peek Plastic
12	10005-10002	Steam, Wand Socket
13	10005-10008	Steam and Hot Water Lock Nut

# STEAM<sup>x</sup>

## DRAIN CIRCUIT



# STEAM<sup>x</sup>

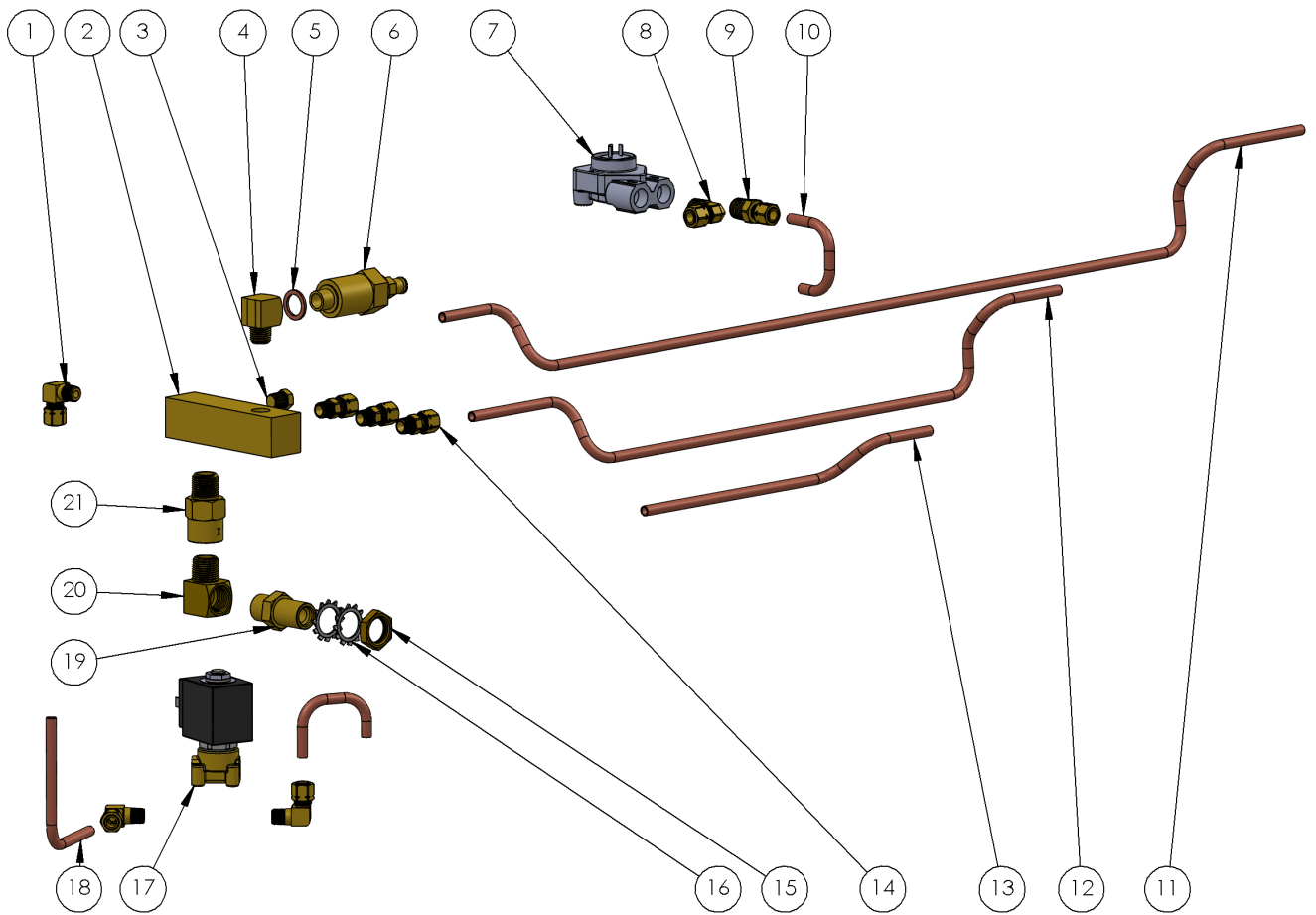
## DRAIN CIRCUIT

ITEM NO.	PART NUMBER	DESCRIPTION
1	40005-32100	Tube, Ball Valve to Drain
2	42000-34500	Fitting, 1/4" Tube OD x 1/8" NPTF - M, Brass
3	42000-50290	Ball Valve, 1/8" NPT
4	42000-34560	Fitting, 90 Deg Elbow for 1/4" Tube OD x 1/8" NPTF - M, Brass
5	40005-32060	Hot Water to Mix Valve Tube, Slayer Steam
6	42000-34300	Fitting, Medium- Pressure, Threaded Pipe, 1/8 Pipe Size, Solid Hex-Head Plug, Brass
7	40000-32150	High-Temperature Silicone Rubber Tubing, Soft, 5/16" ID, 7/16" OD, 1/16" Wall, White - Per Inch
8	44000-36290	Spring Clip for Single Group Drain, Small
9	42005-10000	Fitting, Barbed Hose, Adapter for 5/16" Hose ID x 1/8" NPTF - M Pipe, Brass
10	40005-32120	Ball Valve to Drain Tube
11	40000-32180	EPDM Rubber Tubing 5/16" ID, 7/16" OD - Per Inch
12	42000-34220	Fitting, Tube, Hex Socket Adapter for 1/4" Tube OD, 1/8" NPT M, Polybutylene & Nickel
13	40000-32050	Extreme-Temp Tubing, Teflon, Semi-Clear White 1/8" ID, 1/4" OD - Per Inch
14	40005-32120	Ball Valve to Drain Tube
15	40005-32050	Brew Tank to Ball Valve Tube
16	44005-10012	18-8 Stainless Steel Socket Head Screw M6 x 1 mm Thread, 12 mm Long
17	44000-36110	Lock Washer, Tank Mount
18	46000-53040	Washer, Flat, M7 Screw Size, 14mm OD, 1.4mm-1.8mm Thick
19	13005-20018	Drain Manifold, Steam, 2 Group
	13005-30018	Drain Manifold, Steam, 3 Group
20	40000-32060	Worm-Drive Hose Clamp, Non Slip Screw 1/2" to 1-1/16" Clamp Diameter Range, 9/16" Band Width
21	40000-32170	3-A Sanitary Clear PVC Vacuum Tubing 5/8" ID, 7/8" OD, 1/8" Wall Thickness



# STEAM<sup>x</sup>

## WATER FILL CIRCUIT



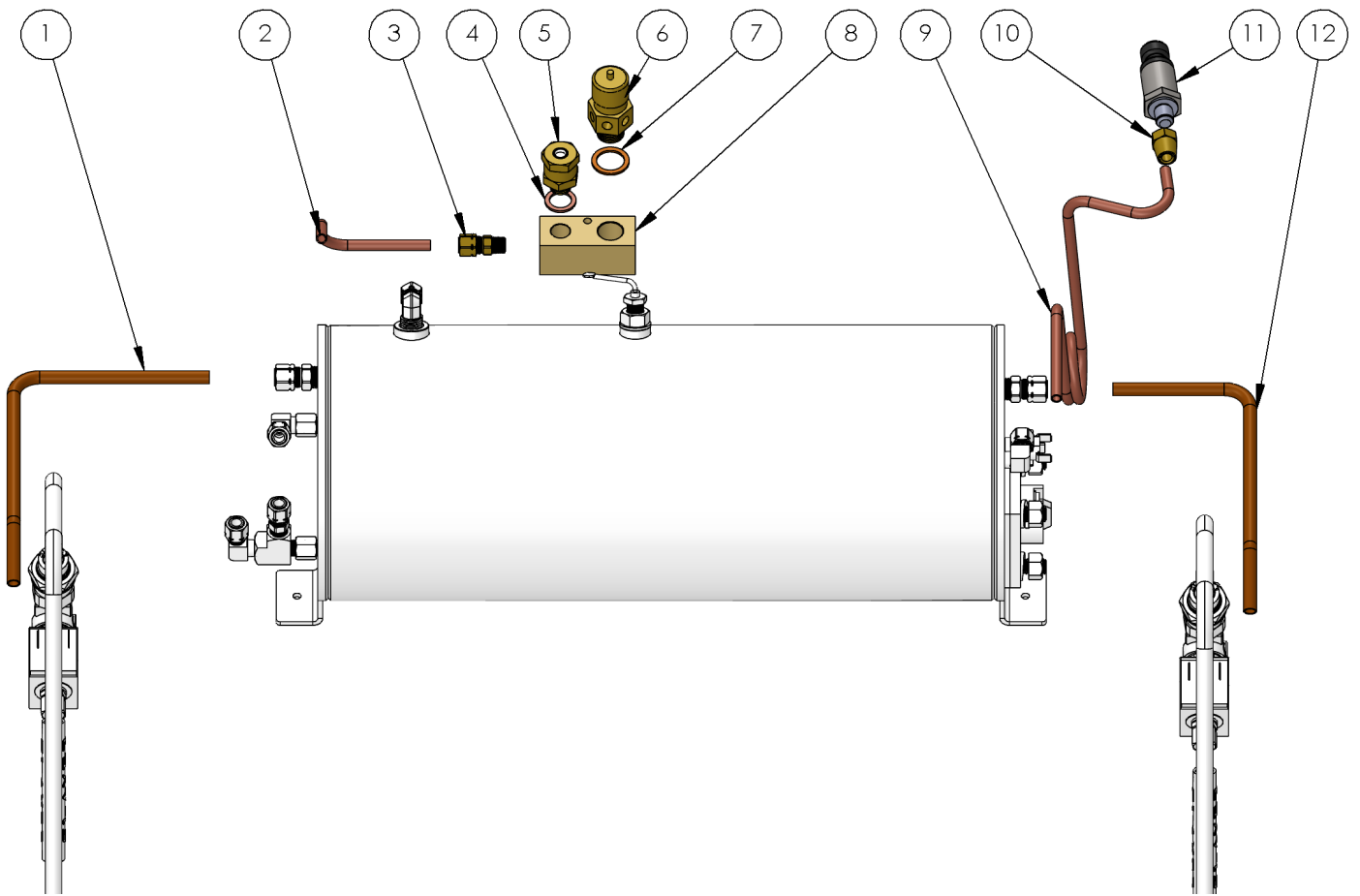
# STEAM<sup>x</sup>

## WATER FILL CIRCUIT

ITEM NO.	PART NUMBER	DESCRIPTION
1	42000-34560	Fitting, 90 Deg Elbow for 1/4" Tube OD x 1/8" NPTF - M, Brass
2	10005-03050	Water Inlet Manifold, Steam
3	42000-34300	Fitting, Medium- Pressure, Threaded Pipe, 1/8 Pipe Size, Solid Hex-Head Plug, Brass
4	42004-34510	Fitting, Medium-Pressure, Threaded Pipe, 1/4 Pipe Size, M x F Elbow, Brass
5	46000-50150	Gasket ,1/4", Copper for Anti Suction, Level Probe, Expansion Valve V3/Steam
6	46000-50110	Expansion Valve
7	30005-21200	Flow Meter
8	42000-34702	Fitting, Easy-Align, Compression Tube, Elbow for 1/4" Tube OD x 1/4 - M Pipe, Brass
9	42000-34700	Fitting, Easy-Align, Compression Tube, Straight Adapter for 1/4" Tube OD x 1/4 - M Pipe, Brass
10	40005-32110	Flow Meter Tube
11	40005-32010	Water Inlet Tube, Slayer Steam, Group 3
12	40005-32020	Water Inlet Tube, Slayer Steam, Group 2
13	40005-32030	Water Inlet Tube, Slayer Steam, Group 1
14	42000-34500	Fitting, 1/4" Tube OD x 1/8" NPTF - M, Brass
15	44000-10010	Brass Nut - 3/8 BSPP
16	44000-36360	Washer, External Tooth, Star, 3/8
17	30000-20195	Solenoid Valve, 2-Way, 1/8" NPT, 2.5mm, 24v Steam Tank Fill
18	40005-32040	Steam Fill Tube, Long
19	42000-10010	Extension, Fitting, 3/8"
20	42004-34500	Fitting, Medium-Pressure, Threaded Pipe, 3/8 Pipe Size, M x F Elbow, Brass
21	46005-34620	Check Valve, 3/8" NPT, Slayer Steam

# STEAM<sup>x</sup>

## STEAM CIRCUIT



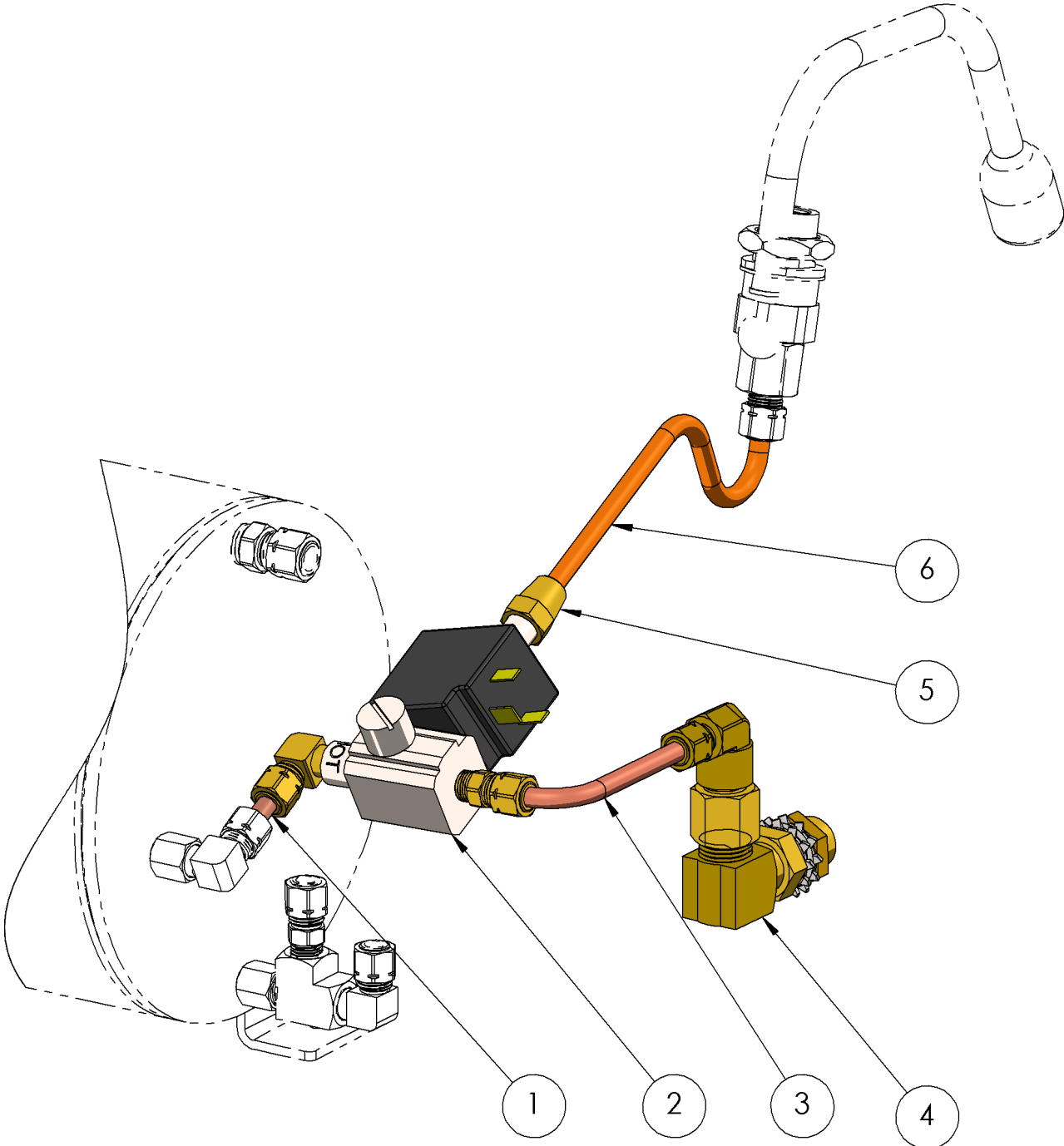
# STEAM<sup>x</sup>

## STEAM CIRCUIT

ITEM NO.	PART NUMBER	DESCRIPTION
1	40005-32210	Left Steam Out Tube, Steam X
2	40005-32170	Steam Manifold Tube
3	42000-34500	Fitting, 1/4" Tube OD x 1/8" NPTF - M, Brass
4	46000-50150	Gasket ,1/4", Copper for Anti Suction, Level Probe, Expansion Valve V3/Steam
5	46000-50140	Anti-Suction/Vacuum Valve, 1/4"
6	46000-50120	PRV, 2.5 Bar
7	46000-50130	Gasket for PRV, 3/8", Copper
8	10005-03030	PRV Manifold, Steam
9	40015-32002	Honeywell Pressure Transducer Tube
10	44000-36220	Fitting, 45 Degree, Flared, Short Nut for 1/4" Tube OD, Brass
11	99005-17000	Steam Transducer Assembly
12	40005-32220	Right Steam Out Tube, Steam X

# STEAM<sup>x</sup>

## HOT WATER CIRCUIT



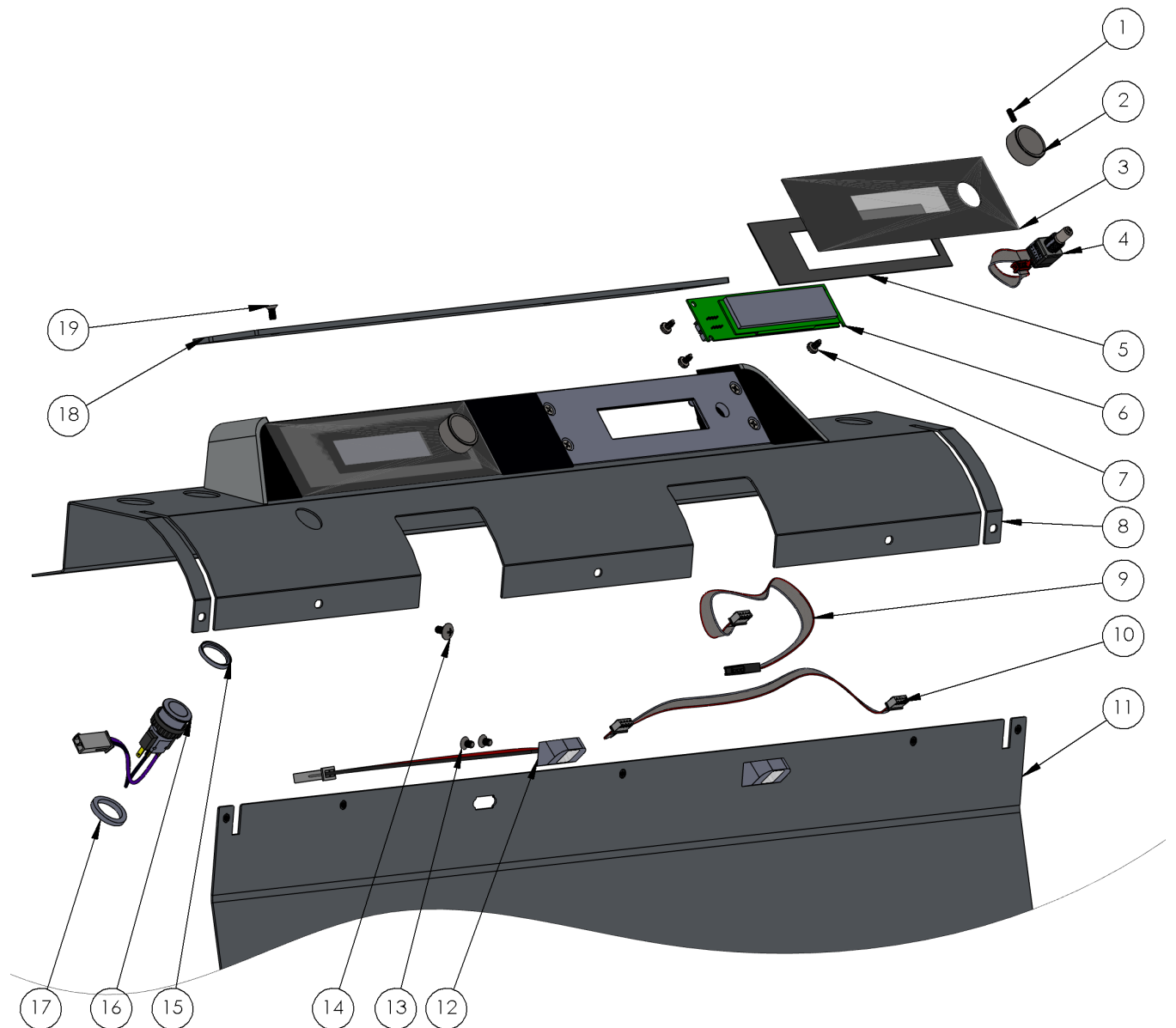
# STEAM<sup>x</sup>

## HOT WATER CIRCUIT

ITEM NO.	PART NUMBER	DESCRIPTION
1	40005-32060	Hot Water to Mix Valve Tube, Slayer Steam
2	99005-20351	Hot Water Assembly, Steam
3	40005-32120	Ball Valve to Drain Tube
4	99005-34670	Cold Mix Water Inlet Assembly
5	44000-36220	Fitting, 45 Degree, Flared, Short Nut for 1/4" Tube OD, Brass
6	40005-10016	Outlet Tube, Mixed Water

# STEAM<sup>x</sup>

## DISPLAY COMPONENTS



# STEAM<sup>x</sup>

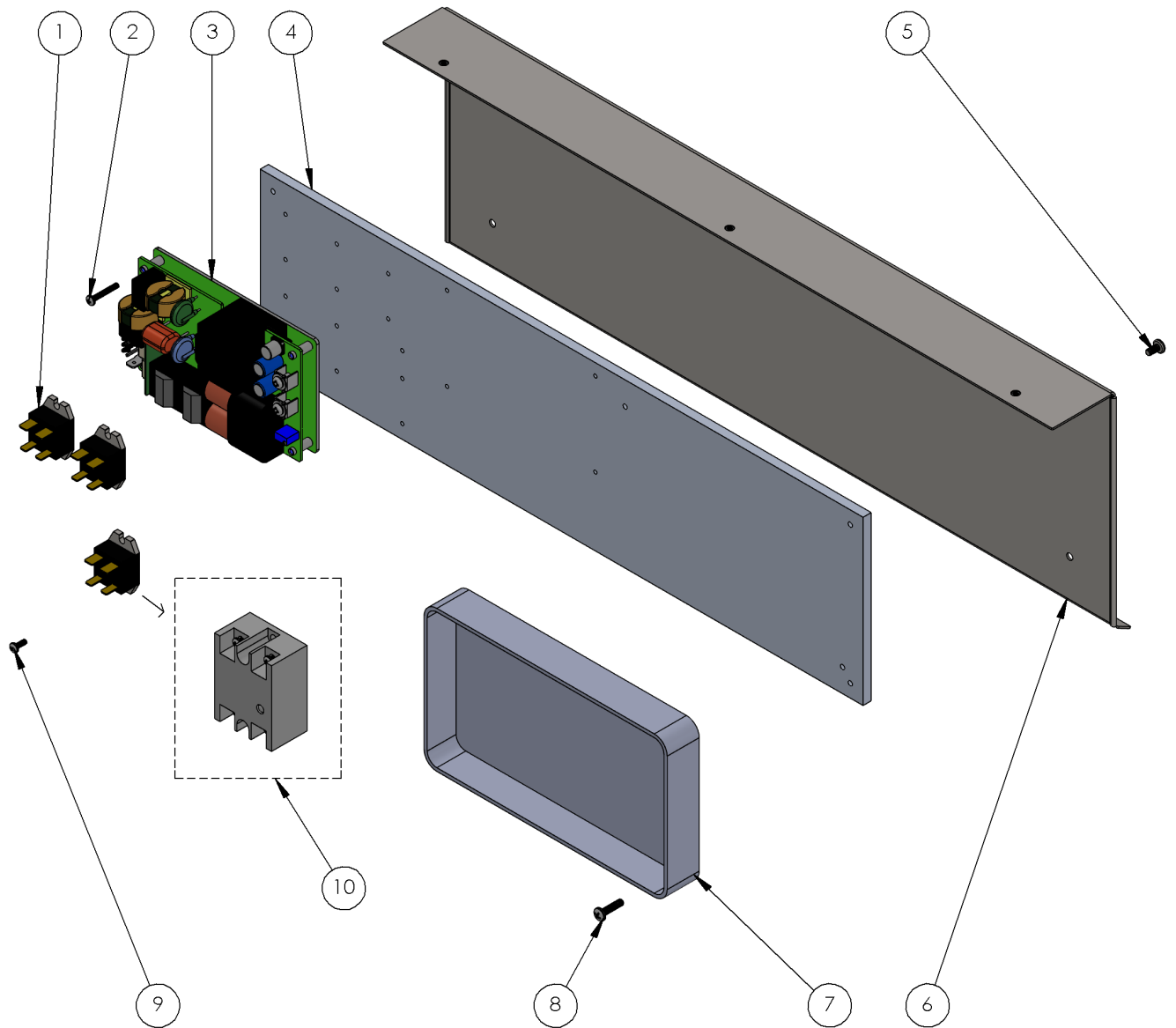
## DISPLAY COMPONENTS

ITEM NO.	PART NUMBER	DESCRIPTION
1	44005-10220	Set Screw, M3 Size, 8mm Length, 0.5mm Pitch, Stainless
2	10005-03010	Encoder Knob, Steam, Stainless
3	26005-10000	Display Glass, Slayer Steam
4	30005-03010	Optical Encoder
5	46005-21010	VHB on Backing Board For Display Screen
6	30005-60110	OLED Display Assembly, 100x20 Blue, Slayer Steam
7	44005-10380	Screw, Self Tapping, 6-32 x 1/4" Phillips Head
8	13005-20026	Front Panel, Upper, Steam, 2 Group
	13005-30026	Front Panel, Upper, Steam, 3 Group
9	30005-10120	Display Interface Cable
10	30005-10110	Display Jumper Cable
11	44005-10080	Metric 18-8 Stainless Steel Truss Head Phillips Machine Screw M4 Size, 8mm Length
12	13005-20025	Front Panel, Lower, Steam, 2 Group
	13005-30025	Front Panel, Lower, Steam, 3 Group
13	44005-10160	18-8 Stainless Steel Phillips Flat Head Screw, M4 x 0.7 mm Thread, 6 mm
14	99005-10200	Shot Light Assembly, Steam
15	10005-03070	Button Ring, Upper, Steam
16	30005-20341	Momentary Push Button, Hot Water, Wired
17	10005-03080	Button Ring, Lower, Steam
18	13005-20052	Display Cover, Upper Panel, Steam, 2 Group
	13005-30052	Display Cover, Upper Panel, Steam, 3 Group
19	44005-10211	Screw, Flat Head Phillips, M4 Size, 8mm Length, .7mm Pitch, Stainless



# STEAM<sup>x</sup>

## ELECTRONIC PANEL COMPONENTS



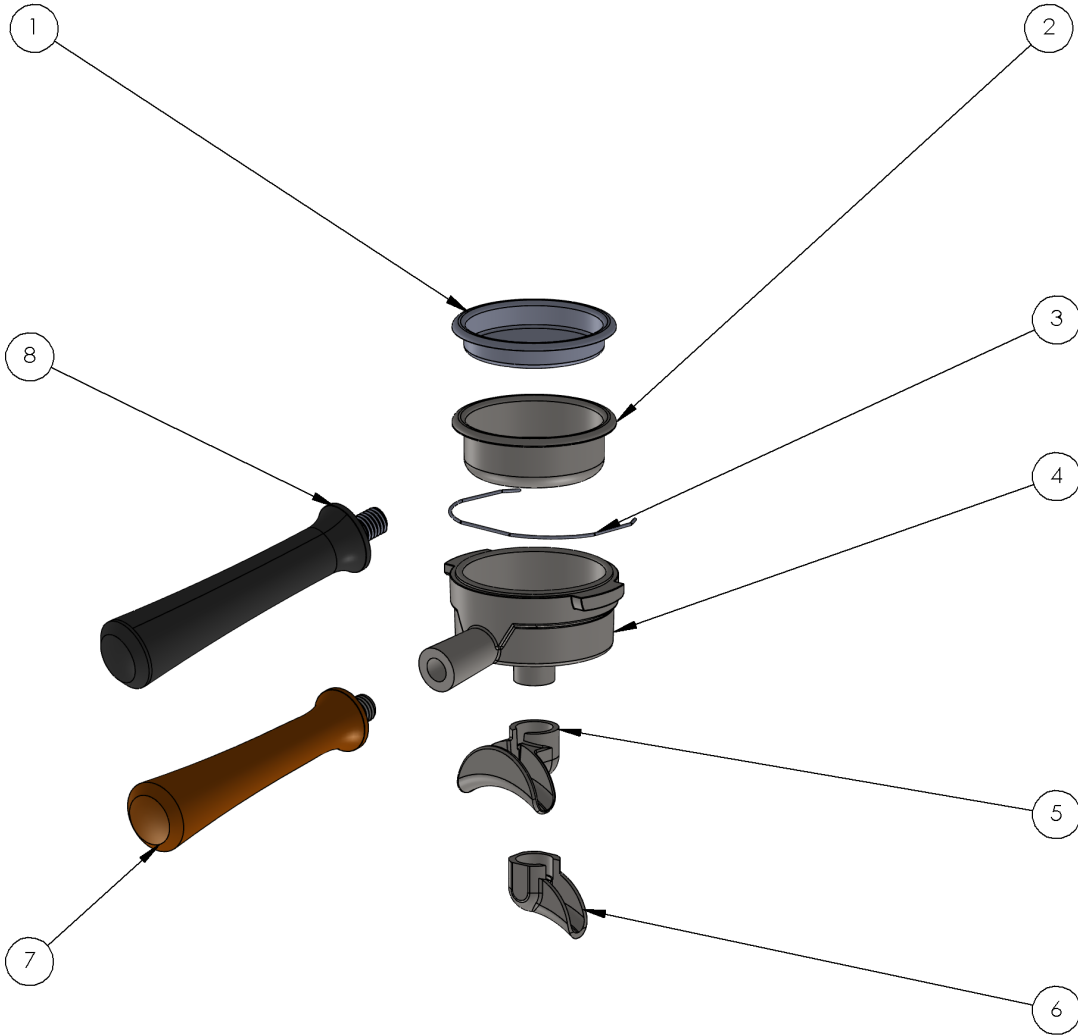
# STEAM<sup>x</sup>

## ELECTRONIC PANEL COMPONENTS

ITEM NO.	PART NUMBER	DESCRIPTION
1	30000-20011	20 Amp Solid State Relay, 24V
2	44004-36141	Screw, Pan Head Phillips, M3 Size, 20mm Length, .5mm Pitch, Stainless
3	30000-20003	Power Supply, Cosel, 500 Watt
4	10005-20005	Sub Plate, Electronics, Slayer Steam, 2/3 Group
5	44004-36141	Screw, Pan Head Phillips, M3 Size, 20mm Length, .5mm Pitch, Stainless
6	13005-20027	Electrical Shield, Assembly, Steam, 2 Group
	13005-30027	Electrical Shield, Assembly, Steam, 3 Group
7	30005-10080	Main Brain, Slayer Steam
8	44005-10370	Rounded Head Screws M4 x 0.7 mm 16 mm Long
9	44005-10390	Screw, M3-0.5x8.0, PHMS, Phillips,18-8
10	30000-20050	Solid State Relay, 40 Amp

# STEAM<sup>x</sup>

## PORTAFILTERS



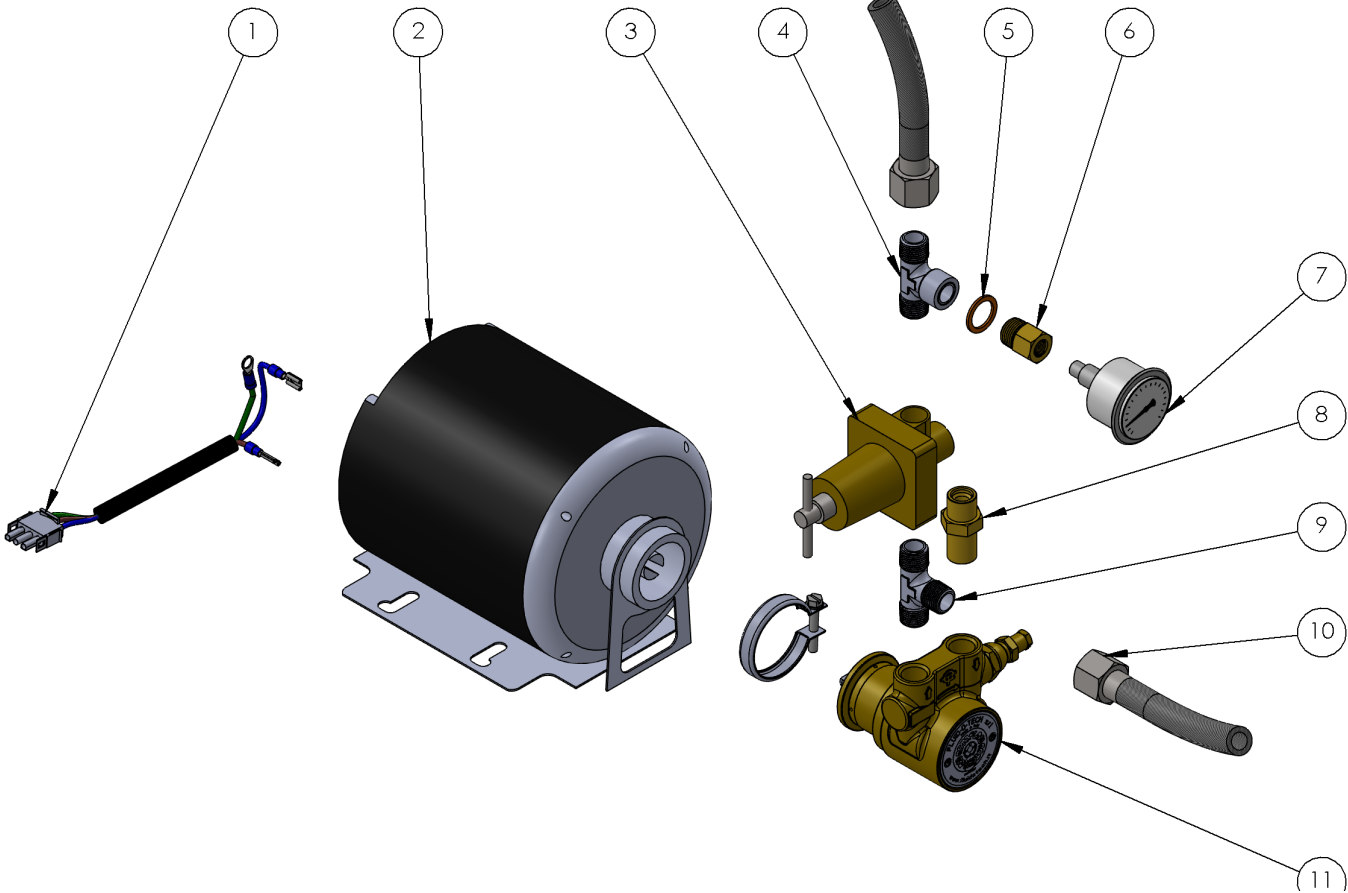
# STEAM<sup>x</sup>

## PORTAFILTERS

ITEM NO.	PART NUMBER	DESCRIPTION
1	46000-56100	Blind Portafilter Basket
2	46000-56551	Single Basket, Espresso, Steam
	46000-56552	Double Basket, Steam, w/Slayer Logo
	46000-56063	Triple Basket, Espresso, Steam
3	46000-56160	Portafilter Locking Spring, 1.20 mm, Stainless
4	46000-56120	Spouted Portafilter, Body Only
5	46000-56130	Portafilter Double Spout, Spout Only
6	46000-56131	Portafilter Single Spout, Spout Only
7	99005-56040	Duratex Portafilter Handle Assembly
8	24015-10011	Portafilter Handle, Soft Touch with Slayer Logo
*	46000-60020	Slayer Cleaner 566g (20oz)
*	SLAYER CLEANER NOT SHOWN IN IMAGE	
<b>COMPLETE PORTAFILTERS</b>		
	86005-50000	Duratex Naked Portafilter
	86005-50001	Duratex Single Spouted Portafilter
	86005-50002	Duratex Double Spouted Portafilter

# STEAM<sup>x</sup>

## PUMP COMPONENTS & LINES



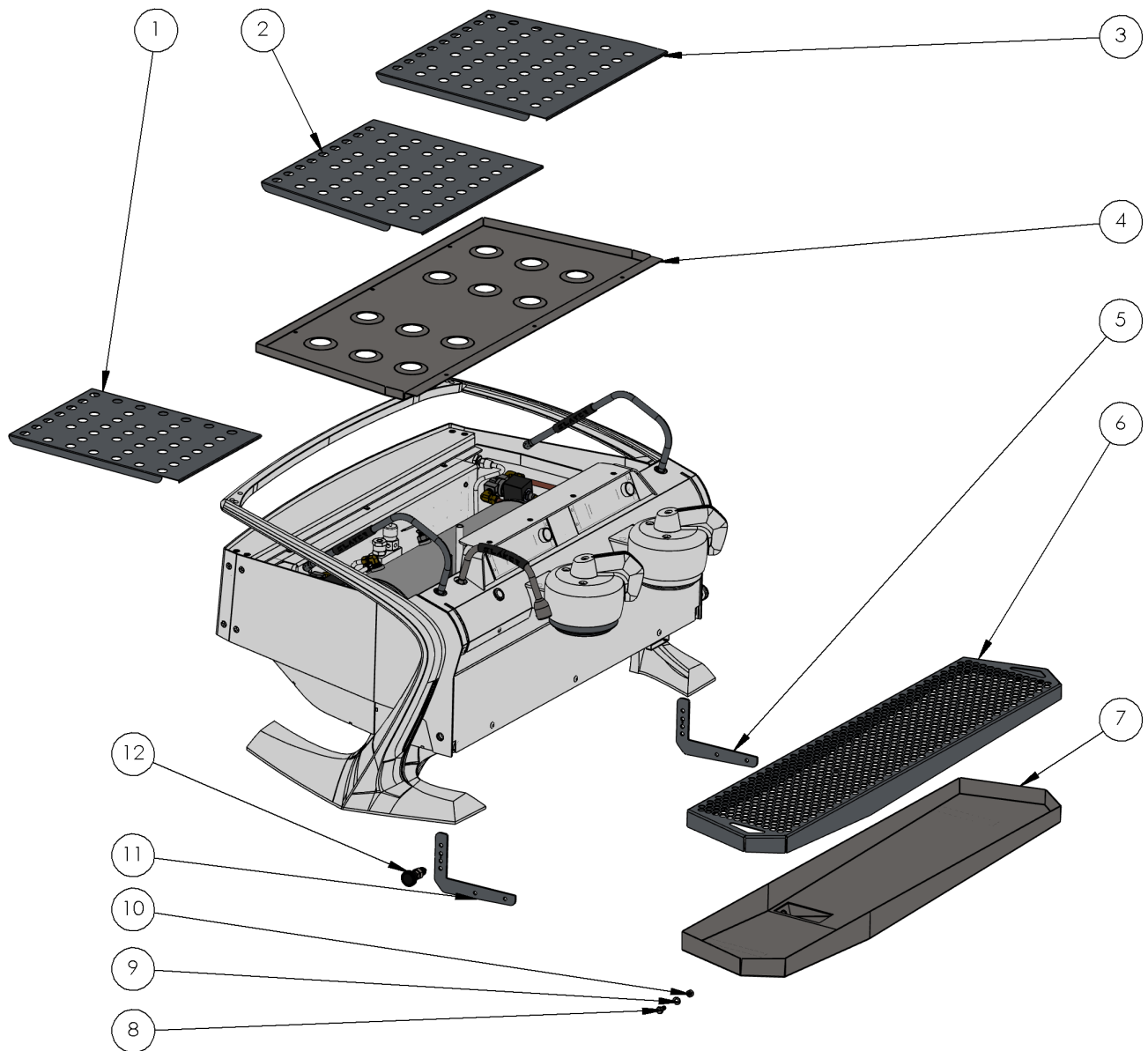
# STEAM<sup>x</sup>

## PUMP COMPONENTS & LINES

ITEM NO.	PART NUMBER	DESCRIPTION
1	30000-20446	Harness, Motor, 2/3 Group, CE
	30000-20470	Harness, Motor, 2/3 Group, UL
2	30000-58020	Motor, 1/3 HP, Wired for 220V
3	30000-58060	Pressure Regulator
4	42000-10050	Tee Fitting, M-F-M, 3/8" BSPT Male, 3/8" BSPP Female
5	46000-50130	Gasket for PRV, 3/8", Copper
6	42000-10060	Reducer, 3/8" - M x 1/8" - F
7	46000-50320	Brew Gauge, 20BAR Custom Printed Slayer Logo
8	42000-10010	Extension, Fitting, 3/8"
9	42000-10030	Tee Fitting, 3/8 M/M/M
10	40005-10010	Stainless Steel Hose, 3/8" Fc x CFc 2000mm
11	30000-58030	Pump, 45 GPH

# STEAM<sup>x</sup>

## DRIP TRAYS & CUP TRAYS



# STEAM<sup>x</sup>

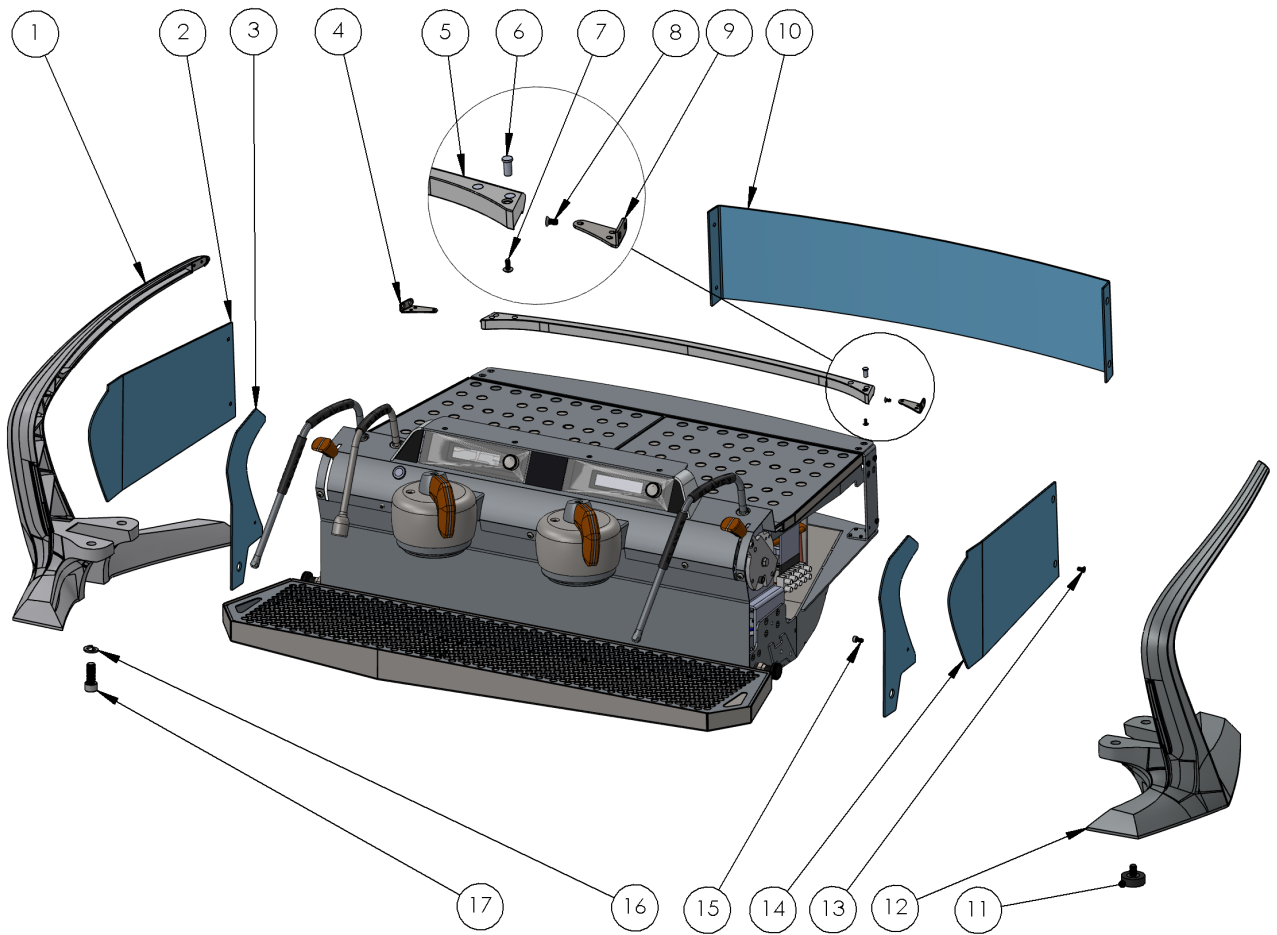
## DRIP TRAYS & CUP TRAYS

ITEM NO.	PART NUMBER	DESCRIPTION
1	13005-30035	Cup Tray, Cover, Center, Steam
2	13005-30034	Cup Tray, Cover, Left, Steam
3	13005-30033	Cup Tray, Cover, Right, Steam
4	13005-20029	Cup Tray, Lower, Steam, 2 Group
	13005-30029	Cup Tray, Lower, Steam, 3 Group
5	13005-30039	Drip Tray, Adjustable Rail, Right, Steam
6	13005-20038	Drip Tray, Cover, Steam, 2 Group
	13005-30038	Drip Tray, Cover, Steam, 3 Group
7	13005-20037	Drip Tray, Lower, Steam, 2 Group
	13005-30037	Drip Tray, Lower, Steam, 3 Group
8	44005-10030	Screw, Hex Head Cap, M6 Thread, 1mm Pitch, 10mm Long, Fully Threaded, Stainless
9	44000-36110	Lock Washer, Tank Mount
10	44005-10050	Hex Nut, M6x1 Thread Size, 10mm Wide, 5mm High, Stainless
11	13005-30040	Drip Tray, Adjustable Rail, Left, Steam
12	44005-50080	Spring Pin



# STEAM<sup>x</sup>

## PANELS, RAILS, WINGS



# STEAM<sup>x</sup>

## PANELS, RAILS, WINGS

ITEM NO.	PART NUMBER	DESCRIPTION
1	20205-11000	Wing Support, Left, Steam - Chrome
2	13005-30016-46	Side Panel, Left Rear, Steam - "BONE BEIGE"
	13005-30016-47	Side Panel, Left Rear, Steam - "CRIMSON RED"
	13005-30016-48	Side Panel, Left Rear, Steam - "SEATTLE SKY BLUE"
	13005-30016-49	Side Panel, Left Rear, Steam - "GALAXY BLACK"
3	13005-30044-46	Side Panel, Front, Steam - "BONE BEIGE"
	13005-30044-47	Side Panel, Front, Steam - "CRIMSON RED"
	13005-30044-48	Side Panel, Front, Steam - "SEATTLE SKY BLUE"
	13005-30044-49	Side Panel, Front, Steam "GALAXY BLACK"
4	13005-20047	Cup Tray Rail Clip, Left, Steam, 2 Group
5	10005-20015	Cup Rail, Duratex, Slayer Steam, 2 Group
	10005-10015	Cup Rail, Duratex, Slayer Steam, 3 Group
6	10005-03020	Nut, Cup Rail, Slayer Steam
7	44005-10017	M3 x 8 Truss Head Screw
8	44005-10211	Screw, Flat Head Phillips, M4 Size, 8mm Length, .7mm Pitch, Stainless
9	13005-20047	Cup Tray Rail Clip, Left, Steam, 2 Group
10	13005-20090-46	Back Panel, Steam, 2 Group - "BONE BEIGE"
	13005-20090-47	Back Panel, Steam, 2 Group - "CRIMSON RED"
	13005-20090-48	Back Panel, Steam, 2 Group - "SEATTLE SKY BLUE"
	13005-20090-49	Back Panel, Steam, 2 Group - "GALAXY BLACK"
	13005-30090-49	Back Panel, Steam, 3 Group - "GALAXY BLACK"
	13005-30090-46	Back Panel, Steam, 3 Group - "BONE BEIGE"
	13005-30090-47	Back Panel, Steam, 3 Group - "CRIMSON RED"
	13005-30090-48	Back Panel, Steam, 3 Group - "SEATTLE SKY BLUE"

# STEAM<sup>x</sup>

11	46000-50180	Rubber Foot, Slayer Espresso 1/2/3 Group
12	20205-10000	Wing Support, Right, Steam - Chrome
13	44000-36064	18-8 Stainless Steel Phillips Flat Head Screw, M5 x 0.8mm Thread, 10mm Long
14	13005-30015-49	Side Panel, Right Rear, Steam - "GALAXY BLACK"
	13005-30015-46	Side Panel, Right Rear, Steam - "BONE BEIGE"
	13005-30015-47	Side Panel, Right Rear, Steam - "CRIMSON RED"
	13005-30015-48	Side Panel, Right Rear, Steam - "SEATTLE SKY BLUE"
15	44005-10100	Screw, Socket Head Cap, M5 Thread, 10mm Length, .8mm Pitch, Stainless
16	44005-10043	18-8 Stainless Steel Split Lock Washer for M12 Screw Size, 12.7 mm ID, 21.1 mm OD
17	44005-10110	Screw, Socket Head Cap, M12 Thread, 30mm Length, 1.75mm Pitch, Stainless
*	24005-10010	Slayer Decal, Urethane Dome, Clear
*	SLAYER DECAL NOT SHOWN IN IMAGE	