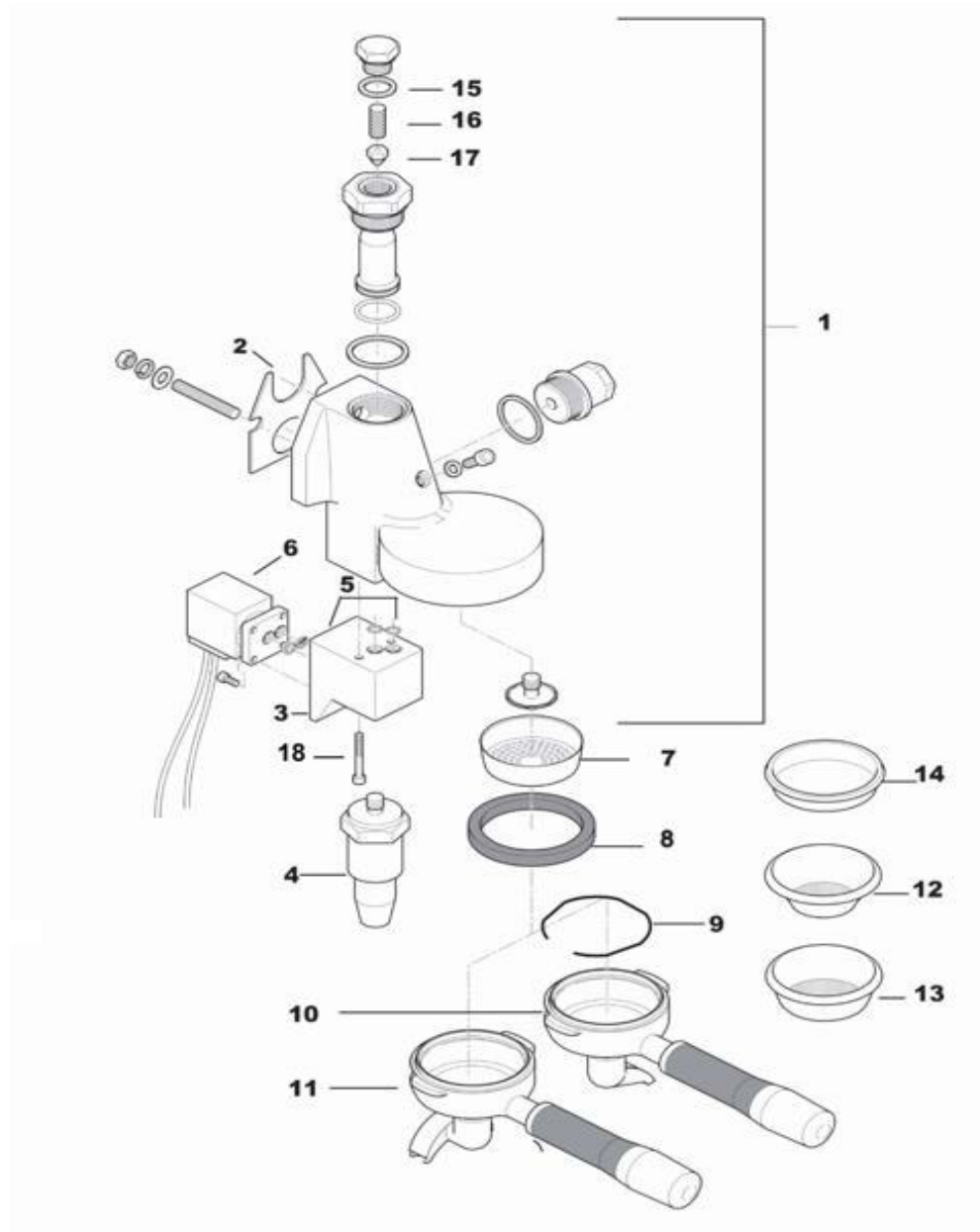


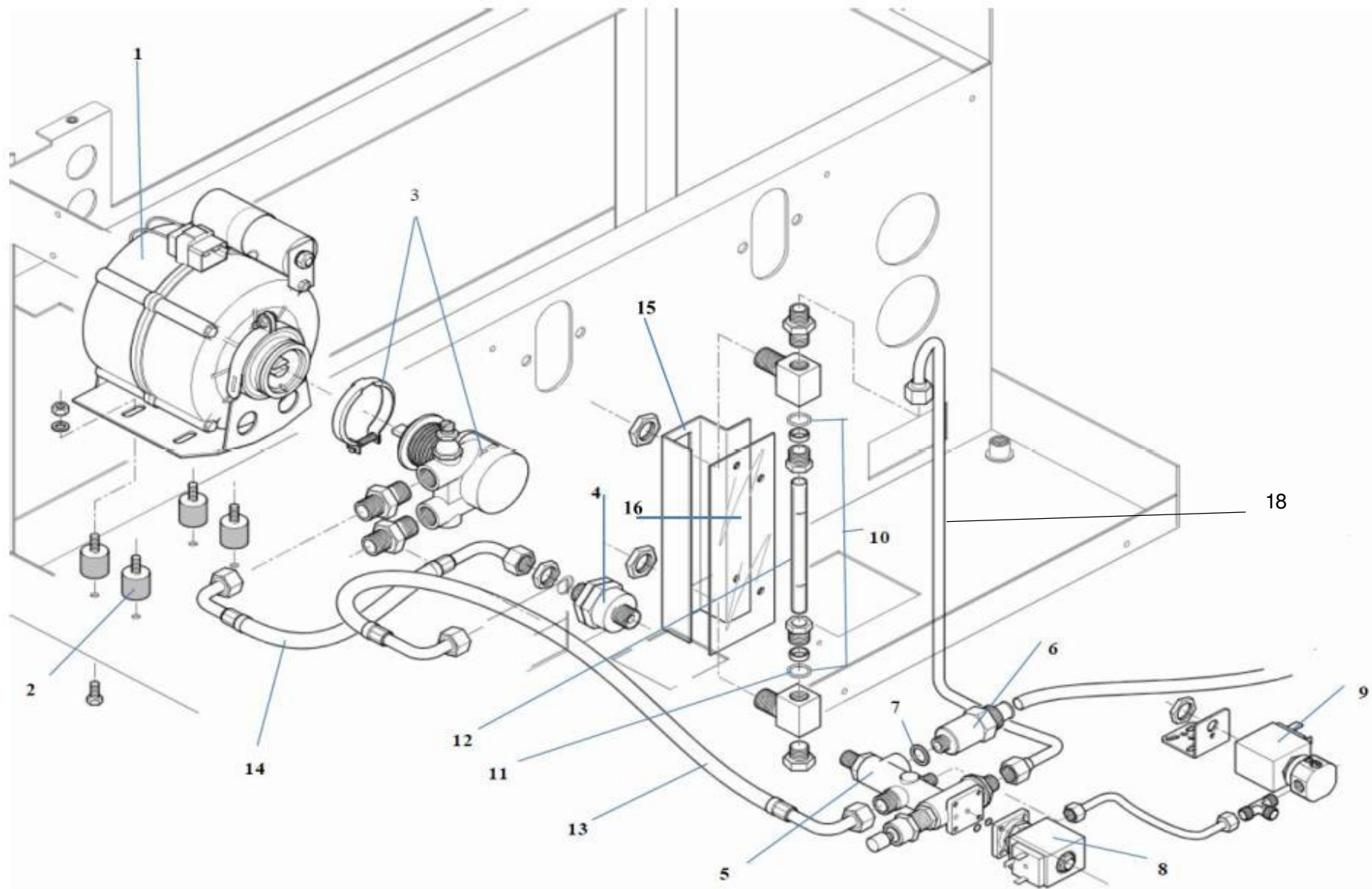


**RE A**  
**Spare parts catalogue**

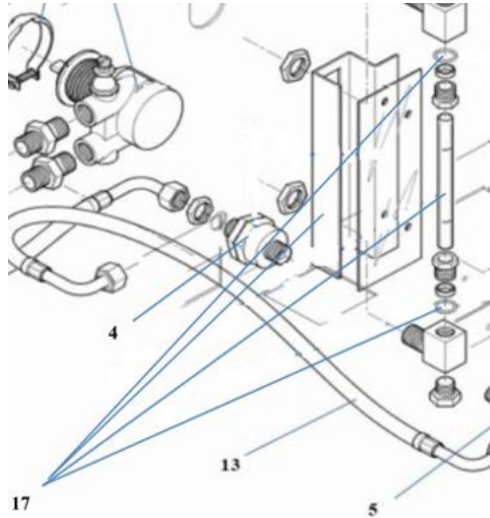
**Ed. 10.2016**



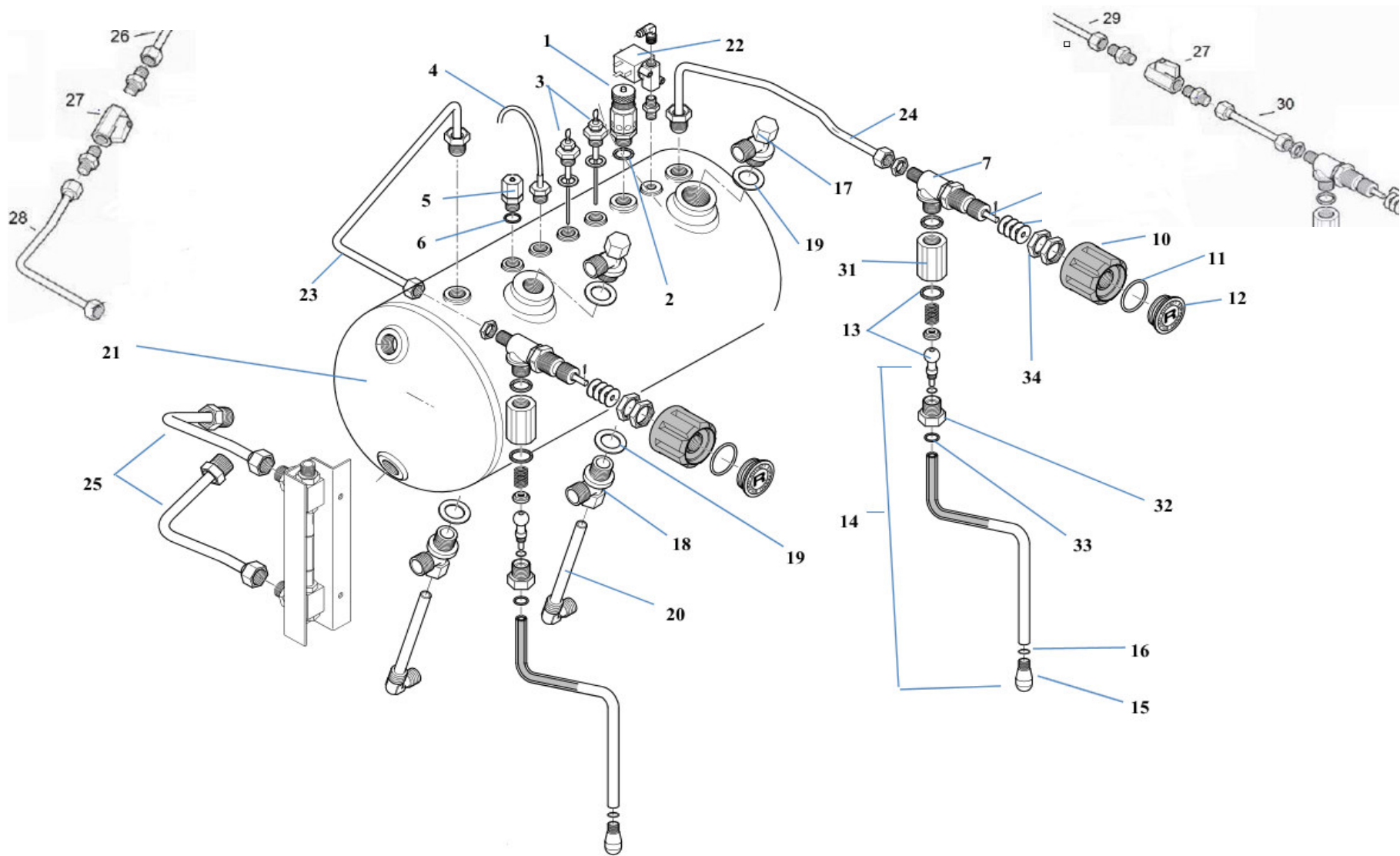
Pos.	#	Description	
1	M229904782	Group complete	
2	C449900767	Gasket	
3	M229904734	Group block	Till / bis / jusqu'à C1209
3	M229905023	Group block	From/ ab /à partir de C1210
4	M529904698	Cylinder	
5	C449900786	OR	
6	M199904761	Group solenoid valve	Till / bis / jusqu'à C1209
6	M199905792	Group solenoid valve	From /ab/ à partir de C1210
7	C519900103	Shower foil	
8	C449900229	Group gasket	
9	C619900098	Filter spring	
10	A699905020	One cup filter holder with filter basket	
11	M699904832	Two cup filter holder with basket	
12	C610003902	1 cup filter basket	
13	C610003901	2 cup filter basket	
14	C619900106	Blind filter	
15	C469900420	Gasket	
16	C619900554	Filter	
17	C229900549	Flow restrictor 0,8	
18	M319904830	Screw	



Pos.	#	Description	
1	M199904779	Pump motor	
2	M499904781	Shock absorber	
3	M229904780	Pump 2 and 3 group	
3	M229904820	Pump 4 group	
4	M229904811	Water inlet connector	
5	M229904813	Valve block	
6	R999904983	Expansion valve	
7	A269904417	Gasket	
8	M199905793	Solenoid valve	
9	M199905794	Solenoid valve water tempering	
10	R999904982	Sight glass assembly	From/ab/à partir de # C1506
11	R999904984	OR	From/ab/à partir de # C1506
12	M699904845	Sight glass	From/ab/à partir de # C1506
13	M219904694	Hose	
14	M219904694	Pump hose	
15	M009904689	Bracket	From/ab/à partir de # C1506
16	M439904693	Plexi-protection	
17	R999904982	Sight glass (pos. 12+13+15)	Before//Bis /Jus'au # C1506...
18	M279904892	Boiler fill pipe for ALTO (tall cup)	
18	M219904745	Boiler fill pipe for normal cups height	



Please order and install with machines before serial # C1506...:  
 Pos. 17 Parts code R999904982 which includes pos. 11, 12 and 15

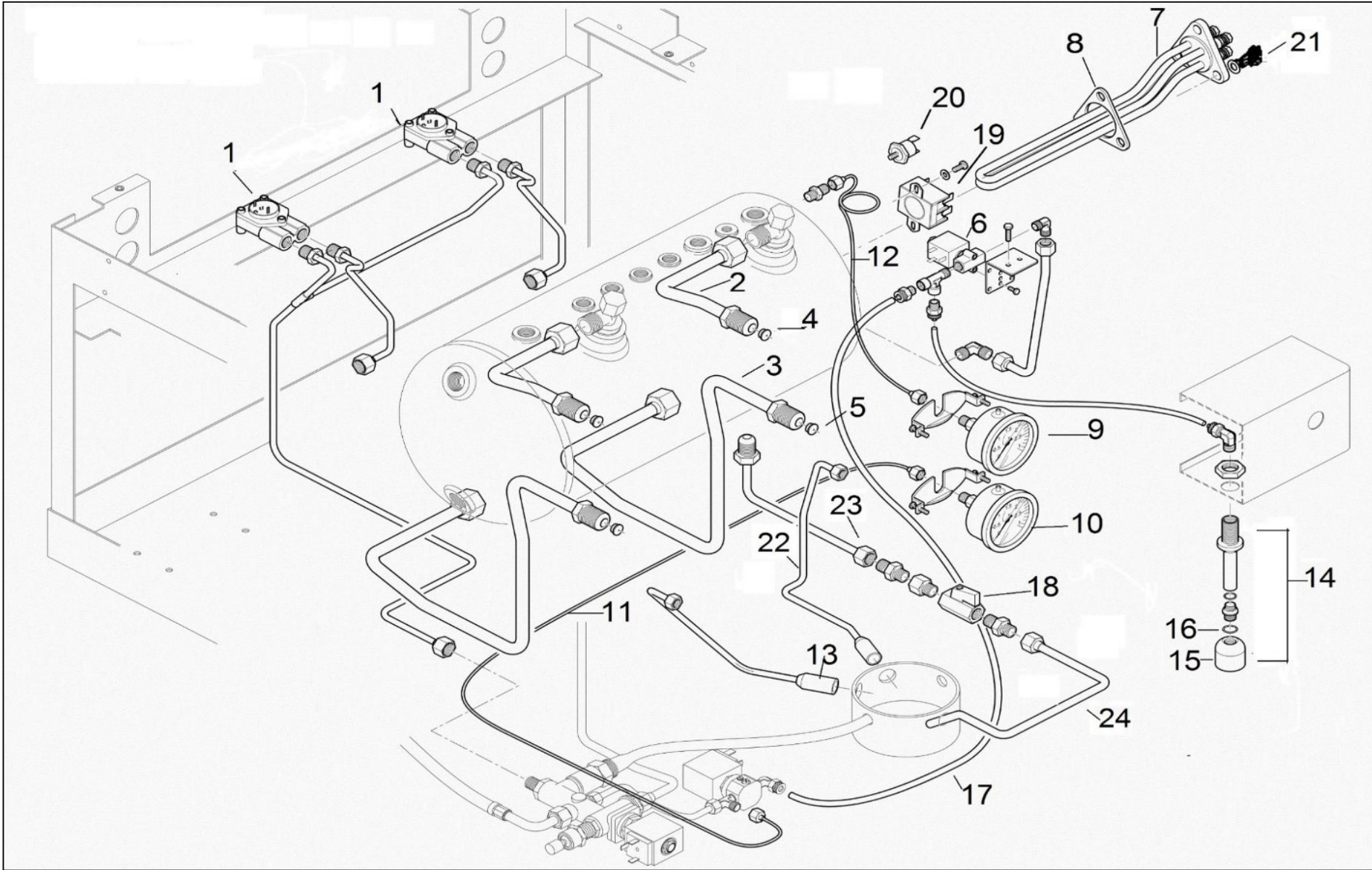


**Position 4 (NTC probe) is replaced by pressure transducer (+ connection pipe + cable) as of serial # C1508...**

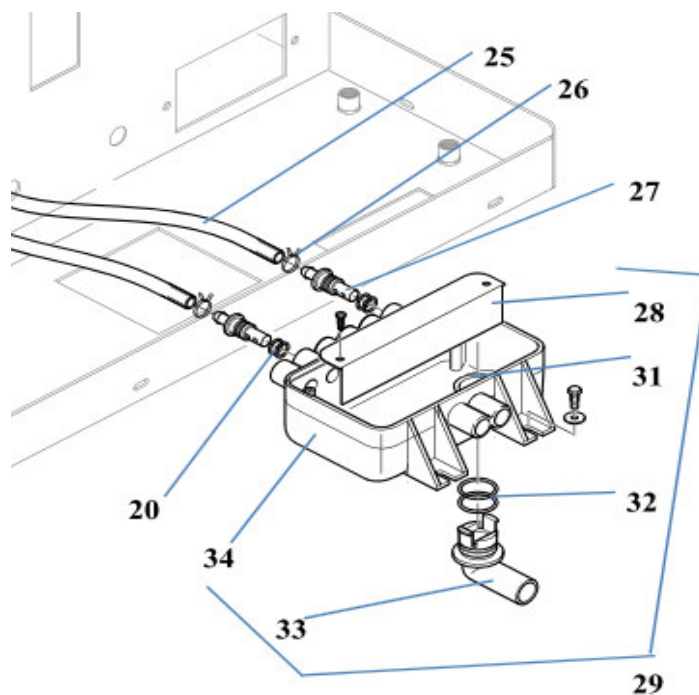
Pos.	#	Description	
1	M229905110	Safety valve	
2	A449904331	Gasket 3/8	
3	M199904821	Boiler level probe	
4	A119905081	NTC probe	Till /bis / jusqu'à C1507.....
<b>4</b>	<b>M199905422</b>	<b>Pressure transducer</b>	From/ ab/à partir de C1508...
	<b>M199905423</b>	<b>Cable for pressure transducer</b>	From/ ab/à partir de C1508...
	<b>M279905424</b>	<b>Pipe for pressure transducer</b>	From/ ab/à partir de C1508...
5	A219905510	Vacuum breaker valve	
6	A269904417	Gasket 1/4	
7	M229904785	Valve <i>(use with handle M839904786)</i>	Till /bis / jusqu'à C1404...
	M229905536	Valve <i>(use with handle M839905537)</i>	From/ ab/ à partir de C1408...
8	R999904985	Pin	
9	R999904986	Washer	
10	M839904786	Steam handle <i>(use with valve M229904785)</i>	Till /bis / jusqu'à C1404...
	M839905537	Steam handle <i>(for valve M229905536)</i>	From/ ab/ à partir de C1408...
11	M499904818	OR	
12	M529904704	Cover steam handle	
13	R999904987	Kit for steam wand	
14	R999904733	Steam wand (complete)	
15	M219904706	Steam tip	
16	C400002022	OR	
17	M279904702	Fitting	
18	M279904703	Fitting	
19	M479904826	Copper gasket	
20	M279904699	Injector	
21	M279904735	2 gr boiler	
21	M279904737	3 gr boiler	
21	M279904975	4 gr boiler	
22	M199905795	Solenoid valve Parker	
23	M219904744	Steam pipe left	Till / bis / jusqu'à C1212...
24	M219904743	Steam pipe right	Till / bis / jusqu'à C1212...
25	M219904741	Level pipe	
31	M229904705	Steam valve extension	
32	R229905519	Fitting	
33	M269905540	OR	
34	M229905141	Spacer	

Pos.	#	Description	
		<b>Interception valve</b> Pos. 26,27,28 replace of Pos. 23 Pos. 27, 29, 30 replace pos.24	From/ab/à partir de C1301
26	M279904932	Pipe boiler to valve left	
27	M229904791	Valve	
28	M279904934	Pipe valve to steam tap left	Till / bis / jusq'à C1305...
28	M279905136	Pipe valve to steam tap left	From/ab/à partir de C1306
29	M279904933	Pipe boiler to valve right	Till / bi s/ jusq'à C1305...
29	M279905137	Pipe boiler to valve right	From/ab/à partir de C1306
30	M279904935	Pipe valve to steam tap right	Till / bis / jusq'à C1305...
30	M279905138	Pipe valve to steam tap right	From/ab/à partir de C1306



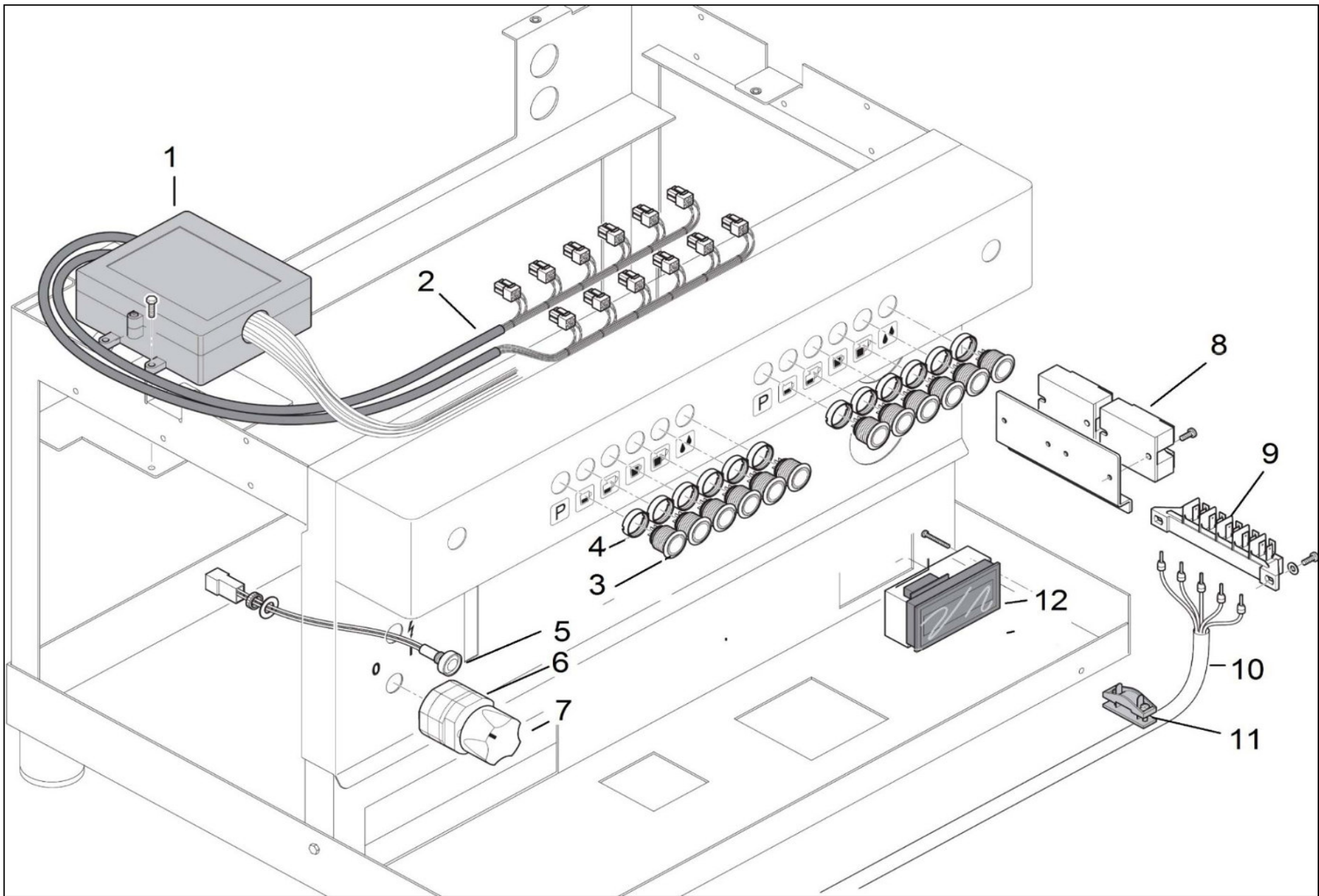


Pos.	#	Description	
1	M229904783	Flowmeter	
2	M219904739	Pipe	
3	M219904740	Pipe	
4	M529904815	Restrictor 2,5 mm	
5	M529904817	Restrictor 3,5 mm	
6	M199905791	Hot water solenoid valve Parker	
7	M199904768	2 gr heating element W3000	
7	M199904769	2 gr heating element W4000	
7	M199904770	2 gr heating element W5000	
7	M199904771	3 gr heating element W4000	
7	M199904772	3 gr heating element W5000	
7	M199904773	4 gr / 3 gr heating element W6000	
8	M469904774	Heater gasket	
9	M299904778	Boiler pressure gauge	
10	M299904777	Pump pressure gauge	
11	M219904747	Capillary pipe to pump pressure gauge	
12	M219904748	Capillary pipe to boiler pressure gauge	
13	M229904814	Fitting	Till / bis / jusqu'à C1311...
14	M219905728	Hot water wand	
15	C227700536	Hot water nozzle	
16	C400003008	OR	
17	C269900300	Teflon pipe	
18	M229904791	Boiler drain valve	
19	M199904767	Safety thermostat heater	
20	M199904766	Thermostat 93°C	
21	M499905019	Heating element cover	
22	M529905042	Pipe	Till / bis / jusqu'à C1311...
23	M219904755	Boiler drain pipe high drip tray	
23	M279904700	Boiler drain pipe low drip tray	
24	M219904756	Pipe tap to drain tray 2 group	Till / bis / jusqu'à C1311...
24	M219904757	Pipe tap to drain tray 3 group	Till / bis / jusqu'à C1311...
24	M279905508	Pipe from tap to drain tray 2 group	From/ ab /à partir de C1312
24	M279905509	Pipe from tap to drain tray 3 group	From/ ab /à partir de C1312



New drain tray assembly from serial # C1312..

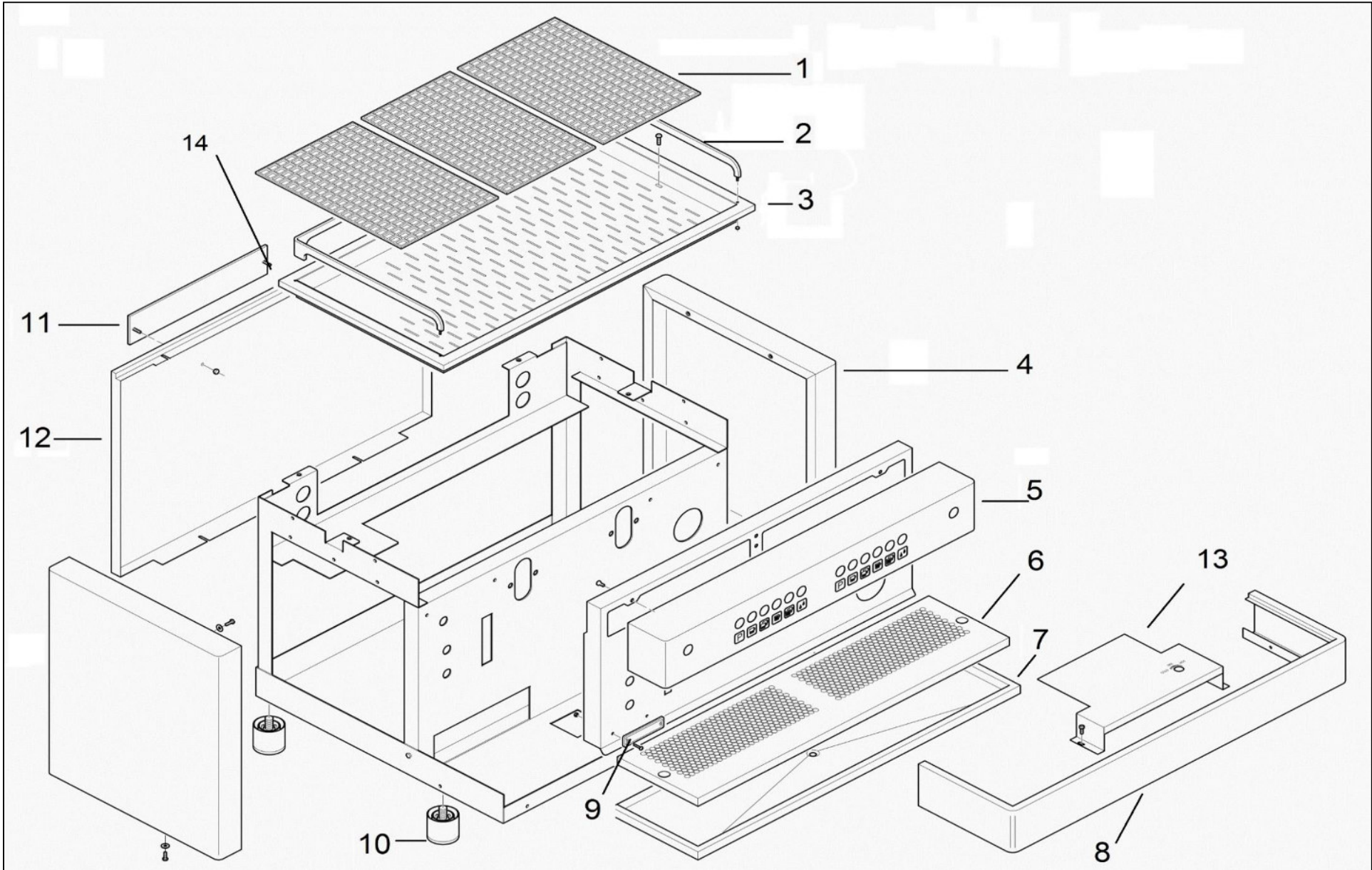
Pos.	#	Description	
25	C260003822	Silicone pipe 6x9	From/ ab /à partir de C1312
26	M619905024	Clamp diam. 10	From/ ab /à partir de C1312
27	M529905382	Diffuser	From/ ab /à partir de C1312
28	M019905381	Drain tray cover	From/ ab /à partir de C1312
29	R439905383	Drain tray complete	From/ ab /à partir de C1312
30	C449900702	OR	From/ ab /à partir de C1312
31	M619905574	Connector fixing ring	From/ ab /à partir de C1312
32	M449905463	OR	From/ ab /à partir de C1312
33	M439905384	Elbow drain connector	From/ ab /à partir de C1312
34	M439905383	Drain tray	From/ ab /à partir de C1312
	M619905023	Spring diam. 12	From/ ab /à partir de C1312



Pos.	#	Description	
<b>From serial number - C1508...</b>			
1	M199905023	Control board V230	From /ab/à partir de C1409....
2	M199905461	Flat cable to 1st group touchpad	From /ab/à partir de C1508....
2	M199905462	Flat cable to 2nd group touchpad	From /ab/à partir de C1508....
2	M199905690	Flat cable to 3rd group touchpad	From /ab/à partir de C1508....
3	M199905688	Six-key touchpad	From /ab/à partir de C1508....
5	M199905196	Led control lamp	From /ab /à partir de 1306..
6	M199904787	Switch	
7	M499904788	Handle	
8	A190004666	SSR Relay	
9	M199904790	Terminal board	
10	M199904794	CE cable	
10	M199904795	Single phase cable	
12	M199904775	Display	
	M199904875	Cable control board to display	

<b>Up to serial number - C1507...</b>			
1	M199905229	Control board V230	Till / bis / jusqu'à C1408...
1	M009905088	Base for board	
<b>Cables for control board M199905023</b>			
			From /ab /à partir de 1409..
2	M199905104	Cable 1st keys area	From /ab /à partir de 1409..
2	M199905105	Cable 2nd key area	From /ab /à partir de 1409..
2	M199905106	Cable 3rd key area	From /ab /à partir de 1409..
2	M199904958	Cable 4th key area	From /ab /à partir de 1409..
	M199905101	Cable to flowmeter 2nd group	From /ab /à partir de 1409..
	M199905102	Cable to flowmeter 3rd group	From /ab /à partir de 1409..
<b>Cables for control board M199905229</b>			
2	M199904804	Cable 1st key area	Till / bis / jusqu'à C1408...
2	M199904805	Cable 2nd key area	Till / bis / jusqu'à C1408...
2	M199904806	Cable 3rd key area	Till / bis / jusqu'à C1408...
	M199904800	Cable to flowmeter 2nd group	Till / bis / jusqu'à C1408...
	M199904801	Cable to flowmeter 3rd group	Till / bis / jusqu'à C1408...
3	M199904825	Product key	Till / bis / jusqu'à C1205...

3	M199905061	Product key from # C1206..... to C1507...	# C1206... - # C1507...
4	M529904853	Key ring	
5	A139904519	Led control lamp	Till / bis / jusqu'à C1305...
5	M199905196	Led control lamp	From /ab /à partir de 1306..
6	M199904787	Switch	
7	M499904788	Handle	
8	A190004666	SSR Relay	
9	M199904790	Terminal board	
10	M199904794	CE cable	
10	M199904795	Single phase cable	
11	M139904789	Cable clamp	Till / bis / jusqu'à C1209...
12	M199904775	Display	
	M199904875	Cable control board to display	



Pos.	#	Description	
1	M469904850	Plastic grid	Till / bis / jusqu'à C1506...
2	M61S904841	Cup frame 2 gr	
2	M61S904842	Cup frame 3 gr	
2	M61S904969	Cup frame 4 gr	
3	M019904722	Cup support tray 2 gr	Till / bis / jusqu'à C1506...
3	M019904723	Cup support tray 3 gr	Till / bis / jusqu'à C1506...
3	M019904973	Cup support tray 4 gr	Till / bis / jusqu'à C1506...
3	M019905320	Cup support tray 2 gr	From /ab/à partir de C1507...
3	M019905321	Cup support tray 3 gr	From /ab/à partir de C1507...
3	M019905322	Cup support tray 4 gr	From /ab/à partir de C1507...
4	M019905001	Right panel high drip tray	
4	M019905002	Left panel high drip tray	
4	M019905003	Right panel low drip tray ALTO (130mm)	
4	M019905004	Left panel low drip tray ALTO (130mm)	
5	M01I004720	Keypad panel 2 gr.	Till / bis / jusqu'à C1506...
5	M01I004721	Keypad panel 3 gr.	Till / bis / jusqu'à C1506...
5	M01I004967	Keypad panel 4 gr.	Till / bis / jusqu'à C1506...
5	M01I905596	Keypad panel 2 gr.	From /ab/à partir de C1507...
5	M01I905597	Keypad panel 3 gr.	From /ab/à partir de C1507...
5	M01I905598	Keypad panel 4 gr.	From /ab/à partir de C1507...
6	M019904731	Drip tray grid 2 gr.	
6	M019904732	Drip tray grid 3 gr.	
6	M019904968	Drip tray grid 4 gr.	
7	M019904729	Drip tray 2 gr	
7	M019904730	Drip tray 3 gr	
7	M019904972	Drip tray 4 gr	
8	M019904727	Cover panel 2 gr.	Till / bis / jusqu'à C1506...
8	M019904728	Cover panel 3 gr.	Till / bis / jusqu'à C1506...
8	M019904971	Cover panel 4 gr.	Till / bis / jusqu'à C1506...
8	M01I905682	Cover panel 2 gr.	From /ab/à partir de C1507...
8	M01I905683	Cover panel 3 gr.	From /ab/à partir de C1507...
8	M01I905684	Cover panel 4 gr.	From /ab/à partir de C1507...



Pos.	#	Description	
8	M011905685	Cover panel 2 gr. ALTO version	From /ab/à partir de C1507...
8	M011905686	Cover pane3 2 gr. ALTO version	From /ab/à partir de C1507...
8	M011905687	Cover panel 4 gr. ALTO version	From /ab/à partir de C1507...
9	M859904400	Front tag drip tray	
9	M699905067	Front tag drip tray ALTO	
10	M019904784	Feet	
11	M859904879	Rear tag	
12	M019904725	Rear panel 2 gr	
12	M019904726	Rear panel 3 gr	
12	M019904974	Rear panel 4 gr	
12	M019904867	Rear panel 2 gr ALTO	
12	M019904868	Rear panel 3 gr ALTO	
12	M019904974	Rear panel 4 gr ALTO	
13	M019904809	Cover	
14	A319904306	Screw for tag	