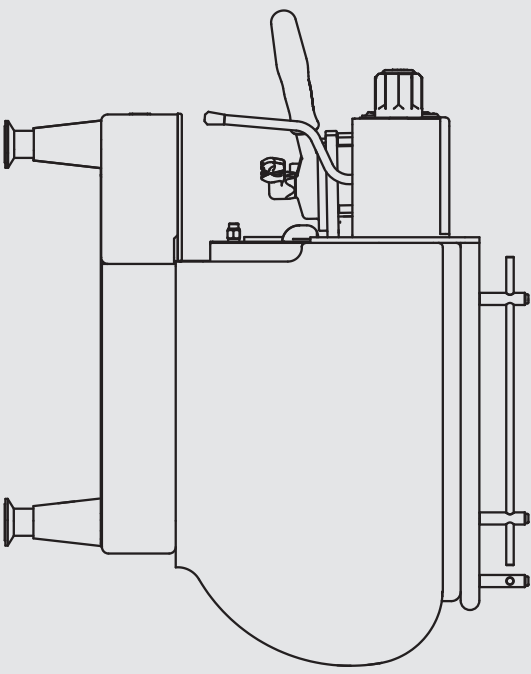
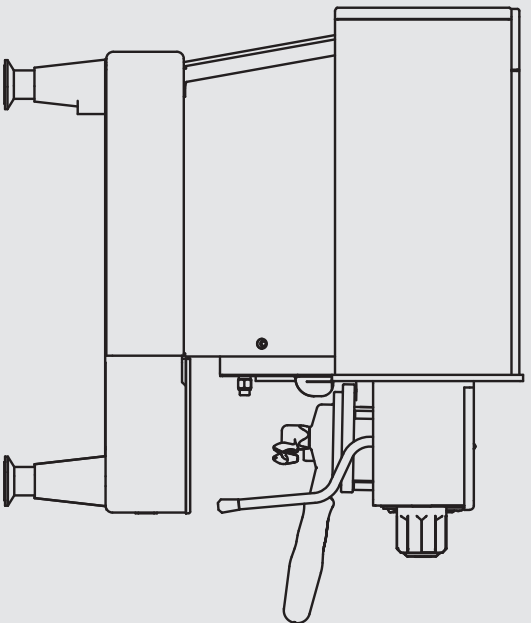


parts catalog linea classic - fb70







la marzocco
handmade in florence

INDEX

		Pag.	Ver.
Specifications - Linea & FB/70	Caratteristiche Tecniche	4	5.1
Body Panel Assembly - Linea	Carrozzeria - Linea	6	5.1
Body Panel Assembly - FB/70	Carrozzeria - FB/70	9	5.1
Control Panel Assembly - AV & EE	Pannello di Controllo - AV & EE	12	5.1
Steam Wand Assembly	Lancia - Rubinetto Vapore	16	5.1
Coffee Boiler - Group	Caldaia Caffè	21	5.1
Steam Boiler Assembly	Caldaia Vapore	32	5.1
PID Kit Assembly	Kit PID Completo	35	5.1
Fittings and Valves	Raccordi e Valvole	39	5.1
Hydraulic Assembly	Impianto Idraulico	41	5.1
Heating Elements	Resistenze Elettriche	45	5.1
Electrical System and Pump	Impianto Elettrico e Pompa	50	5.1
Portafilter Assembly	Portafiltri	53	5.1
Hose and Accessories	Tubi e Accessori	55	5.1

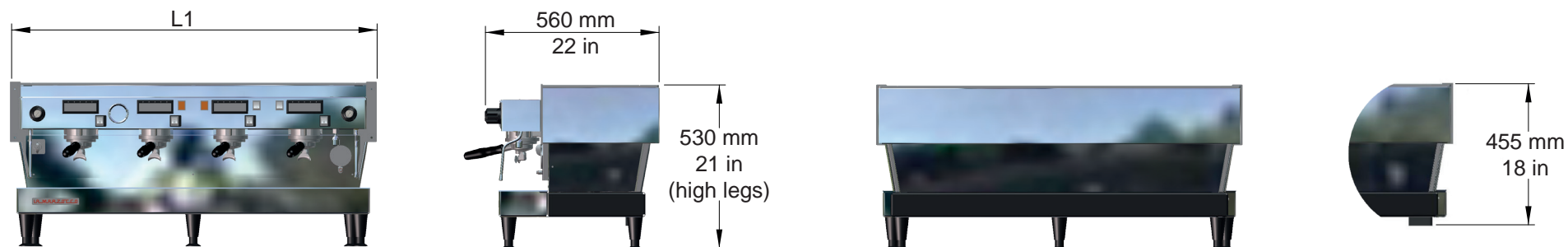


la marzocco

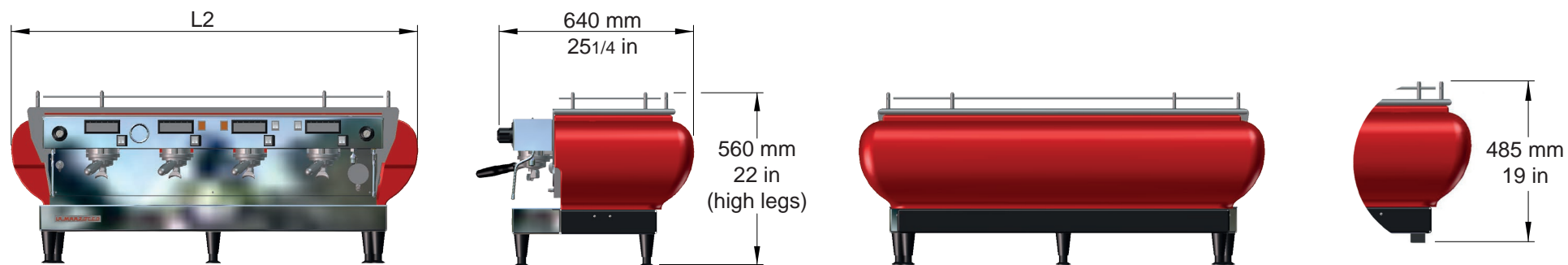
handmade in florence

SPECIFICATIONS - LINEA & FB70

linea



fb70



THE CONFIGURATION OF THE MACHINE SHOWN ABOVE IS WITH HIGH BASE, BETWEEN HIGH BASE AND LOW BASE THERE IS A DIFFERENCE OF APPROXIMATELY 25mm
LA CONFIGURAZIONE DELLA MACCHINA QUI SOPRA ILLUSTRATA E' CON BASE ALTA, LA DIFFERENZA TRA BASE ALTA E BASE BASSA E' APPROSSIMATIVAMENTE 25mm



la marzocco

handmade in florence

SPECIFICATIONS - LINEA & FB70

Caratteristiche Tecniche

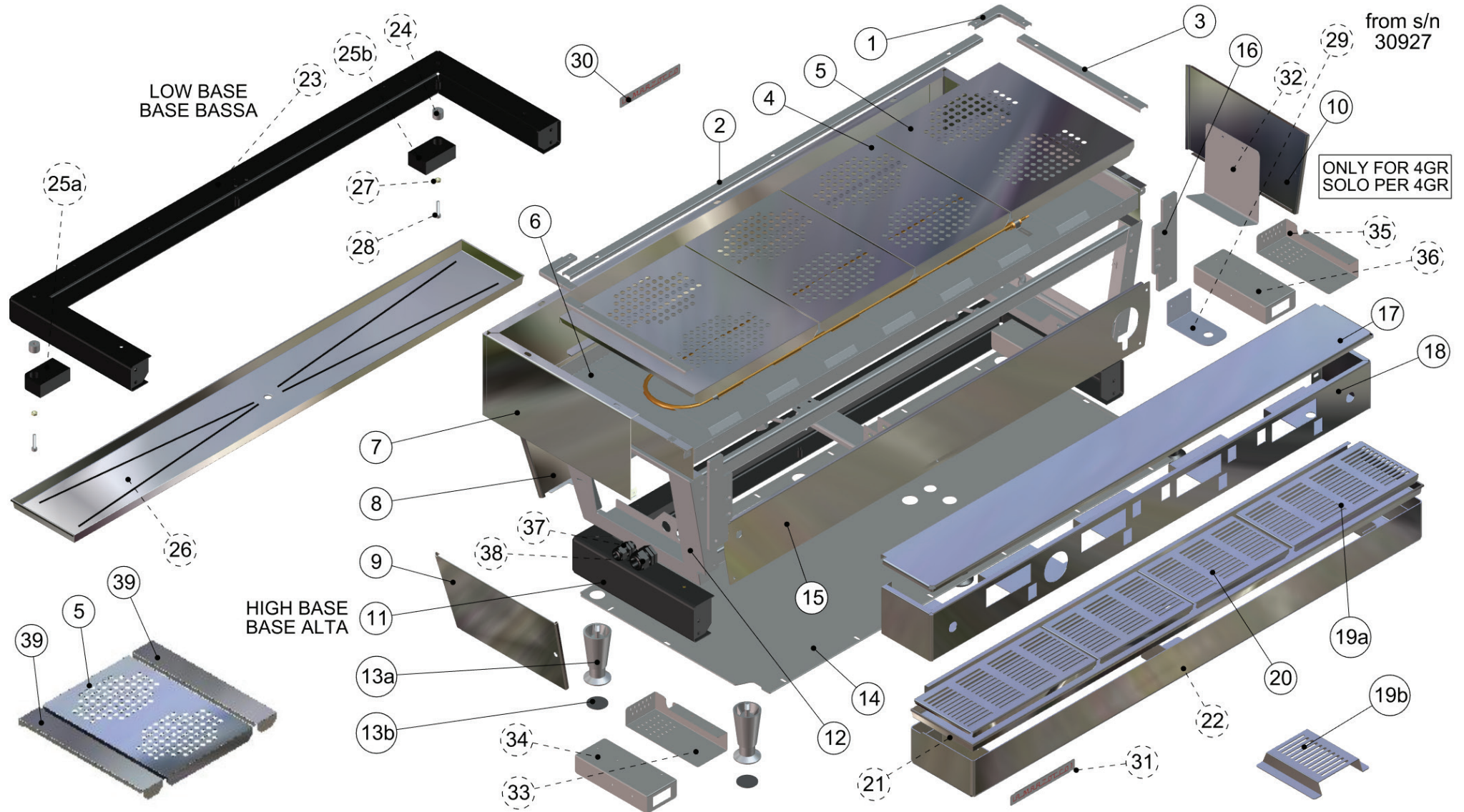
L1 (Linea)	mm	490	690	930	1170
	in	20	28	37	46
L2 (FB70)	mm	n/a	840	1080	1350
	in	n/a	33	43	53
Machine weight (Linea)	Kg	41	59	73	107
	lb	90	130	160	236
Machine weight (FB70)	Kg	n/a	58	82	107
	lb	n/a	128	181	236
Shipping weight (Linea)	Kg	64	82	101	129
	lb	141	181	223	284
Shipping weight (FB70)	Kg	n/a	84	106	129
	lb	n/a	185	234	284
Electrical Voltage	VAC	200VAC Single Phase/3 Phase	200VAC Single Phase/3 Phase	200VAC Single Phase/3 Phase	200VAC Single Phase/3 Phase
		220VAC Single Phase/3 Phase	220VAC Single Phase/3 Phase	220VAC Single Phase/3 Phase	220VAC Single Phase/3 Phase
		380VAC Three Phase	380VAC Three Phase	380VAC Three Phase	380VAC Three Phase
Coffee Boiler Wattage Low	W	1000 Watts	1400 Watts	1600 Watts	2800 Watts
High	W	1000 Watts	1400 Watts	1900 Watts	2800 Watts
Steam Boiler Wattage Low	W	1300 Watts	2000 Watts	3000 Watts	3800 Watts
High	W	1300 Watts	3000 Watts	4000 Watts	5000 Watts
Total Wattage	W	2500 Watts	3600/4600 Watts	4800/6100 Watts	6800/8000 Watts
Required Available Amperage	A	15 amps	25 amps	35 amps	45 amps
Coffee Boiler Capacity	liters	1,8	3,4	5,0	6,8
Steam Boiler Capacity (liters)	liters	3,5	7,0	11,0	15,0
Total Capacity (liters)	liters	5,3	10,4	16,0	21,8
Machine configuration		1GR	2GR	3GR	4GR



la marzocco

handmade in florence

BODY PANEL ASSEMBLY - LINEA





la marzocco

handmade in florence

BODY PANEL ASSEMBLY - LINEA

Carrozzeria - Linea

1	CL24/AN	BLACK CORNER TRIM	ANGOLARE NERO TERMINALE SUP.
2	CL24/*N	* GRP BLACK CENTRAL TRIM	CORNICE TERMINALE NERA * GR.
3	CL24/LN	BLACK SIDE TRIM	LATERALE NERO TERMINALE SUP.
4	CL20/M	MIDDLE TOP GRATE	PIANO PORTATAZZE SUP. INTERM.
5	CL20	OUTER TOP GRATE	PIANO PORTATAZZE SUP. LATERALE
6	CL19/*	* GRP CUP TRAY	VASSOIO SCALDATAZZE * GR.
	CL19/*A	* GRP CUP TRAY WITH FINGER GUARDS	VASSOIO SCALDATAZZE * GR C/PROTEZIONI
7	CL23/*N	* GRP UPPER FACE PANEL. BLACK CORNERS	FASCIONE FRONTALE * GR. ANGOLI NERI
	CL23/*N.60	FASCIONE FRONTALE * GR NERO OPACO	FASCIONE FRONTALE * GR NERO OPACO
8	CL22/*	* GRP FACE PANEL	PANNELLO FRONTALE *GR.
	CL22/* .60	PANNELLO FRONTALE * GR NERO OPACO	PANNELLO FRONTALE * GR NERO OPACO
9	CL21/SX	LEFT SIDE PANEL	FIANCHETTO SINISTRO - ACC.INOX
	CL21/SX.60	FIANCHETTO SINISTRO NERO OPACO	FIANCHETTO SINISTRO NERO OPACO
10	CL21/DX	RIGHT SIDE PANEL	FIANCHETTO DESTRO - ACC. INOX
	CL21/DX.60	FIANCHETTO DESTRO NERO OPACO	FIANCHETTO DESTRO NERO OPACO
11	CLO2/*N_A	4 GRP HIGH BLACK BASE	BASE 4 GR. COLORE NERO ALTA
12	CLO3/*	* GRP FRAME COMPLETE	TELAIO * GR.
13a	CL001/1	ADJUSTABLE HIGH LEGS	GAMBE ALTE REGISTRABILI
13b	CL001/1G	HIGH LEG RUBBER PAD	GOMMINI PER GAMBE ALTE
14	CLO3/*PR	* GRP BOTTOM GUARD	SCHERMATURA INF. * GR.
15	CL16/*	* GRP FRONT OPERATION PANEL	PANNELLO MANOVRA * GR.
16	CL13/DS_N	BLACK SMALL RIGHT/LEFT FLANK	FIANCATINA DX SX COLORE NERO
17	CL15/*	* GRP GROUP COVER	COPERTURA CARENATURA * GR.
18	CL14/*AV	* GRP FAIRING AV	CARENATURA * GR. AV
19a	CL18	OUTER CUP GRATE	PORTATAZZE INFER. LATERALE
19b	CL18/1	SMALL OUTER GRATE FOR 1 GRP	PORTATAZZE INF. 1 GR. LATERALE
20	CL18/M	MIDDLE CUP GRATE	PORTATAZZE INFERIORE INTERMED.
Item	Part number/Codice	Description	Descrizione

* = Number of groups / Numero gruppi



la marzocco

handmade in florence

BODY PANEL ASSEMBLY - LINEA

Carrozzeria - Linea

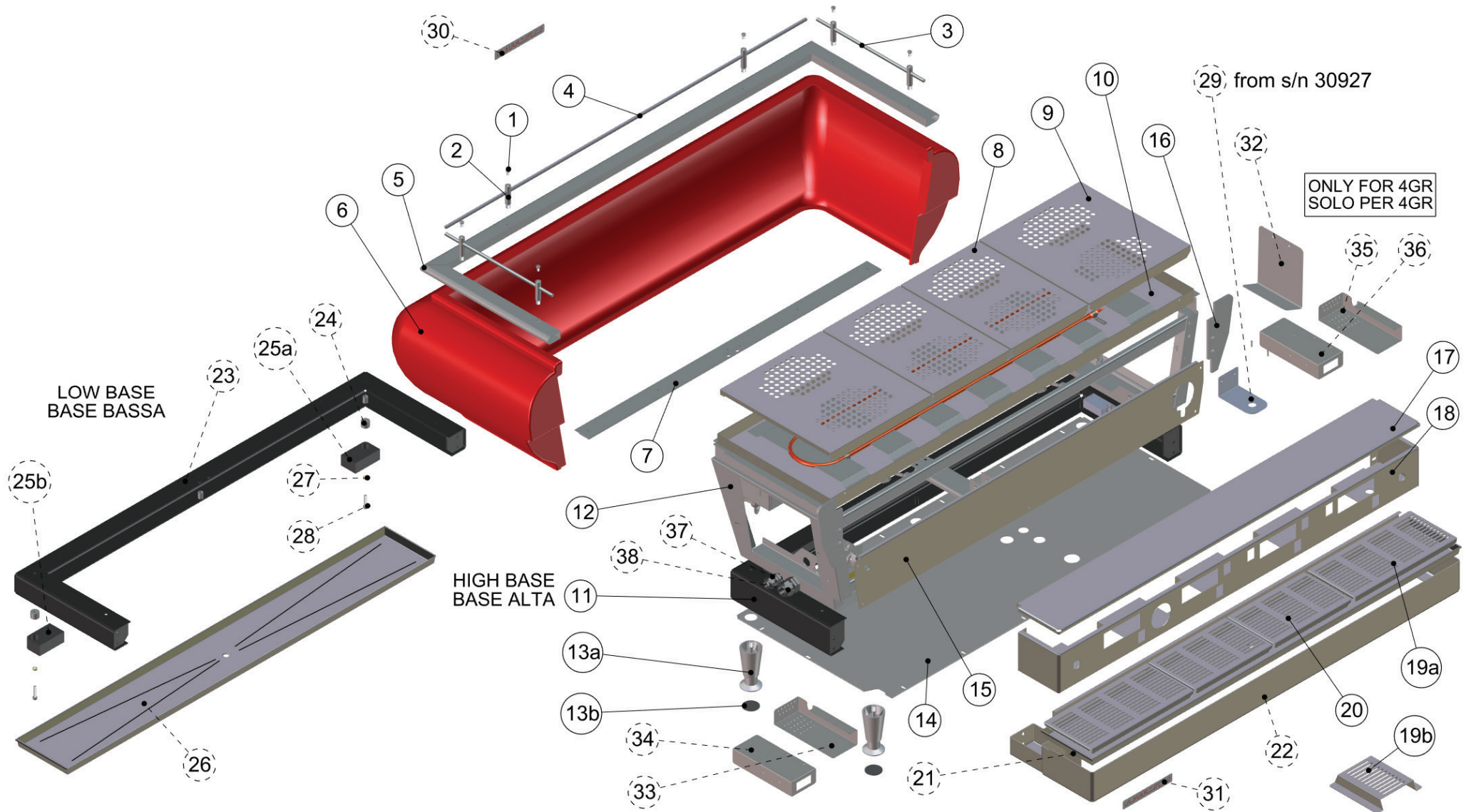
21	CL17/*A	* GR DRAIN TRAY HIGH BASE MACH	VASCHETTA SCARICO *GR. ALTA
22	CL01/*	* GRP FRONT BASE S/S	BASAMENTO ANT. * GR. ACC. INOX
23	CL02/*N	* GRP LOW BLACK BASE	BASE * GR. COLORE NERO
24	CL00	FOOT SUPPORT	SUPPORTI PIEDINI PVC DM.21
25a	CL001.SX	LEG, RUBBER (LOW) LEFT SIDE	ZOCCOLINO IN GOMMA SX
25b	CL001.DX	LEG, RUBBER (LOW) RIGHT SIDE	ZOCCOLINO IN GOMMA DX
26	CL17/*	DRAIN TRAY, *GR, LOW	VASCHETTA SCARICO, *GR
27	DADO6M	ZINC NUT M6	DADO M6 ZINCATO
28	I.1.013	6X30 BOLT SOCKET HEAD	VITE 6X30 TC TESTA BRUGOLA
29	CL04	BRACKET FOR HOT WATER (LOW	STAFFA PER ACQUA CALDA
30	CL25	LOGO PLATE	TARGHETTA LA MARZOCCO
31	CL28	SMALL LA MARZOCCO LOGO PLATE	TARGHETTA LAMARZOCCO PICCOLA
32	CL05	BRAIN BRACKET	STAFFA X DOSATURA VOLUMETRICA
33	C.1.133.SX	LEFT SIDE PID COVER	COPERTURA PID SX
34	CL40/SX.01	LEFT BRACKET FOR PID KIT	STAFFA SX PER PID
35	C.1.133.DX	RIGHT SIDE PID COVER	COPERTURA PID DX
36	CL40/DX.01	RIGHT BRACKET FOR PID KIT	STAFFA DX PER PID
37	L322/P	SMALL CABLE GROMMET WITH NUT	FERMACAVO PICCOLO + GHIERA
38	L322/G	BIG CABLE GROMMET WITH NUT	FERMACAVO GRANDE + GHIERA
39	CL20/1	OUTER TOP PROFILING FOR 1 GRP	PIANO PORTATAZZE SUP.1 GR.LAT.
Item	Part number/Codice	Description	Descrizione
* = Number of groups / Numero gruppi			



la marzocco

handmade in florence

BODY PANEL ASSEMBLY - FB70





la marzocco

handmade in florence

BODY PANEL ASSEMBLY - FB70

Carrozeria - FB/70

1	C027/PS	SET SCREW	GRANI ACC.INOX 6X6 UNI 5927
2	C027/P	RAILING PIN FB70 2/3/4/GR.	PERNO RINGHIERA 2/3/4GR.CROM.
3	C027/L	SIDE RAILING FB70 2/3/4GR.	RINGHIERA LATERALE SUP.2/3/4GR
4	C027/*	TOP RAILING FB70 *GR.	RINGHIERA SUPERIORE *GR. FB70
5	C024/*V	TRIM, TOP, 1PC, BLACK, *GR	CORNICE SUPERIORE VERNICIATO, *GR
6	C023/*V	FRONT PANEL FB70 2GR. PAINTED (SPECIFY COLOUR)	FRONTALE POL/TO 2GR.VERNICIATO (SPECIFICARE COLORE)
7	C023/*ST	FRONT PANEL BRACKET FB70 *GR.	STAFFA X FRONTALE *GR. FB70
8	CL20/M	MIDDLE TOP GRATE	PIANO PORTATAZZE SUP. INTERM.
9	CL20	OUTER TOP GRATE	PIANO PORTATAZZE SUP. LATERALE
10	CL19/*	* GRP HOT TRAY	VASSOIO SCALDATAZZE * GR.
	CL19/*A	* GRP CUP TRAY WITH FINGER GUARDS	VASSOIO SCALDATAZZE * GR C/PROTEZIONI
11	CL02/*N_A	* GRP HIGH BLACK BASE	BASE * GR. COLORE NERO ALTA
12	CL03/*FB	* GR. FB70 FRAME	TELAIO * GR. FB70
13a	CL001/1	ADJUSTABLE HIGH LEGS	GAMBE ALTE REGISTRABILI
13b	CL001/1G	HIGH LEG RUBBER PAD	GOMMINI PER GAMBE ALTE
14	CL03/*PR	* GRP BOTTOM GUARD	SCHERMATURA INF. * GR.
15	CL16/*	* GRP FRONT OPERATION PANEL	PANNELLO MANOVRA * GR.
16	C013/DS_V	SMALL BLACK FLANK FOR FB70	FIANCATINA DX/SX NERA X FB70
17	CL15/*	* GRP GROUP COVER	COPERTURA CARENATURA * GR.
18	CL14/*AV	* GRP FAIRING AV	CARENATURA * GR. AV
19a	CL18	OUTER CUP GRATE	PORTATAZZE INFER. LATERALE
19b	CL18/1	SMALL OUTER GRATE FOR 1 GRP	PORTATAZZE INF. 1 GR. LATERALE
20	CL18/M	MIDDLE CUP GRATE	PORTATAZZE INFERIORE INTERMED.
Item	Part number/Codice	Description	Descrizione
* = Number of groups / Numero gruppi			



la marzocco

handmade in florence

BODY PANEL ASSEMBLY - FB70

Carrozzeria - Linea

21	CL17/*A	* GR DRAIN TRAY HIGH BASE MACH	VASCHETTA SCARICO *GR. ALTA
22	CL01/*	* GRP FRONT BASE S/S	BASAMENTO ANT. * GR. ACC. INOX
23	CL02/*N	* GRP LOW BLACK BASE	BASE * GR. COLORE NERO
24	CL00	FOOT SUPPORT	SUPPORTI PIEDINI PVC DM.21
25a	CL001.SX	LEG, RUBBER (LOW) LEFT SIDE	ZOCCOLINO IN GOMMA SX
25b	CL001.DX	LEG, RUBBER (LOW) RIGHT SIDE	ZOCCOLINO IN GOMMA DX
26	CL17/*	* GRP DRAIN TRAY LOW BASE MACH	VASCHETTA SCARICO * GR.
27	DADO6M	ZINC NUT M6	DADO M6 ZINCATO
28	I.1.013	6X30 BOLT SOCKET HEAD	VITE 6X30 TC TESTA BRUGOLA
29	CL04	BRACKET FOR HOT WATER (LOW	STAFFA PER ACQUA CALDA
30	C025	LA MARZOCCO LOGO FOR FB70	TARGHETTA LA MARZOCCO X FB70
31	CL28	SMALL LA MARZOCCO LOGO PLATE	TARGHETTA LAMARZOCCO PICCOLA
32	CL05	BRAIN BRACKET	STAFFA X DOSATURA VOLUMETRICA
33	C.1.133.SX	LEFT SIDE PID COVER	COPERTURA PID SX
34	CL40/SX.01	LEFT BRACKET FOR PID KIT	STAFFA SX PER PID
35	C.1.133.DX	RIGHT SIDE PID COVER	COPERTURA PID DX
36	CL40/DX.01	RIGHT BRACKET FOR PID KIT	STAFFA DX PER PID
37	L322/P	SMALL CABLE GROMMET WITH NUT	FERMACAVO PICCOLO + GHIERA
38	L322/G	BIG CABLE GROMMET WITH NUT	FERMACAVO GRANDE + GHIERA
Item	Part number/Codice	Description	Descrizione

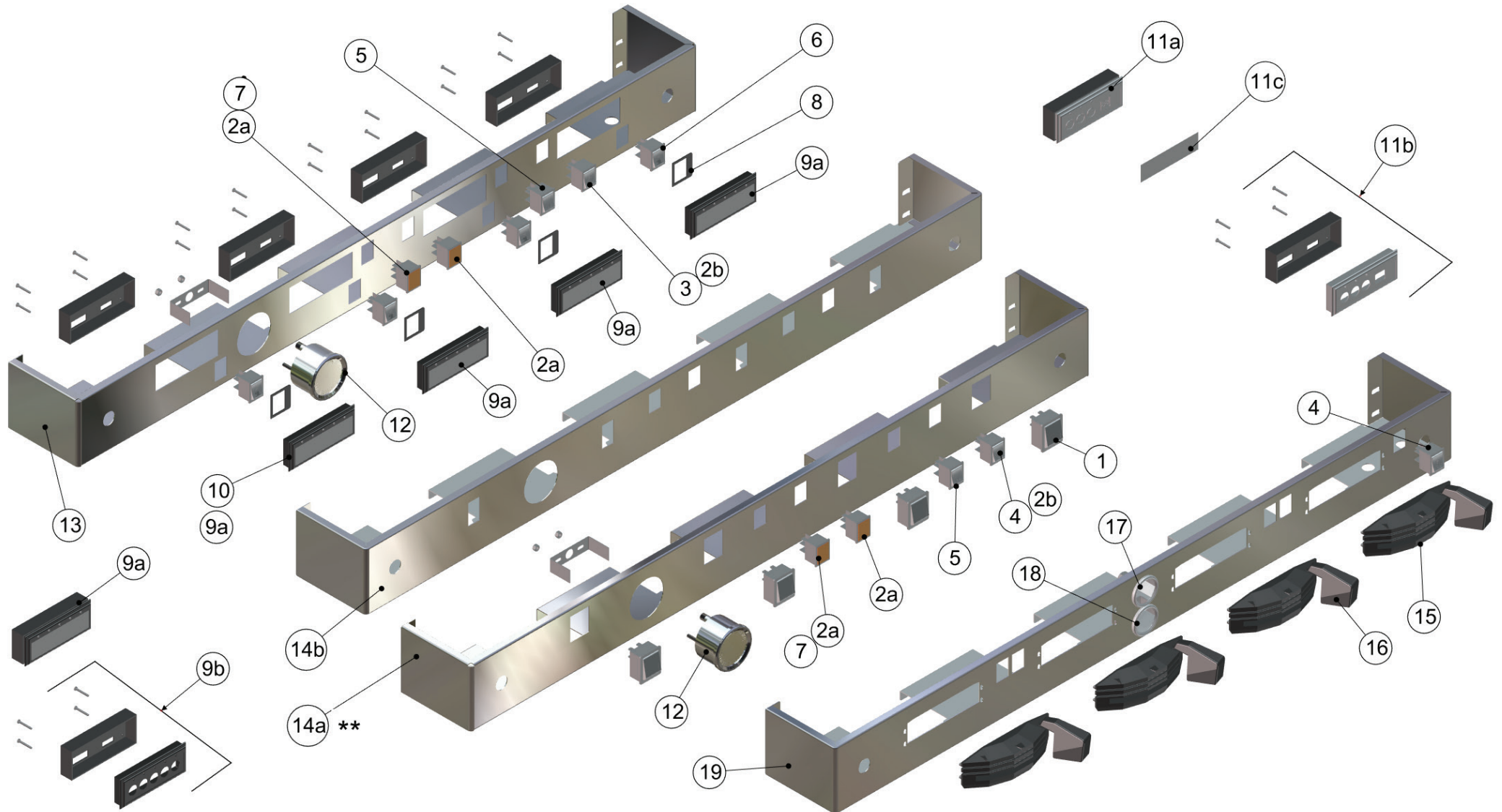
* = Number of groups / Numero gruppi



la marzocco

handmade in florence

CONTROL PANEL ASSEMBLY - AV & EE



** FROM S/N 36391 NO LONGER IN PRODUCTION, PLEASE CONTACT AFTER SALES DEPARTMENT FOR FURTHER INFORMATION.



la marzocco

handmade in florence

CONTROL PANEL ASSEMBLY - AV & EE

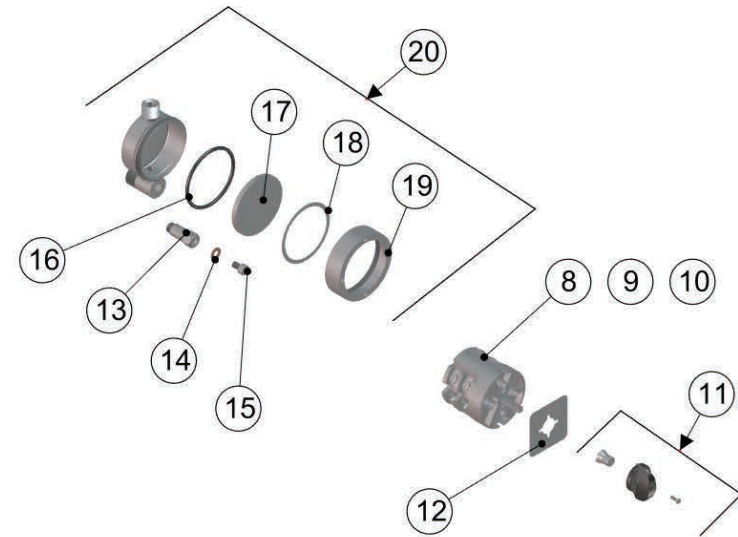
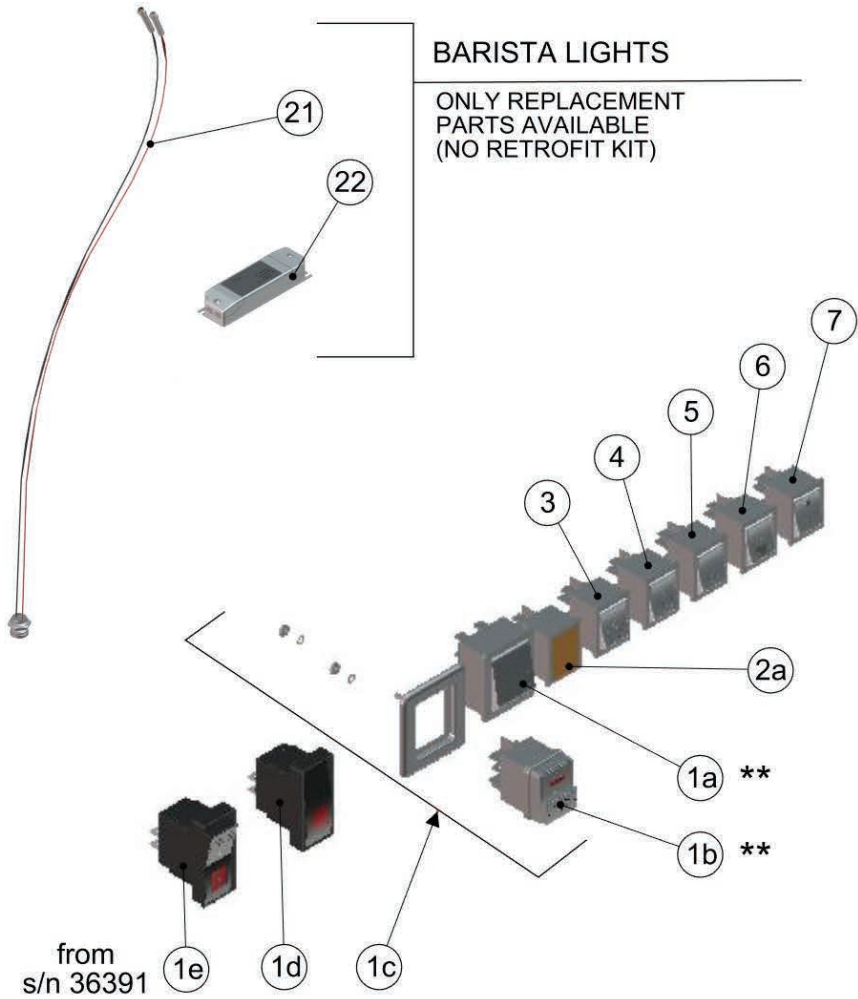
Pannello di Controllo

1	L287	BREW SWITCH WITH RED LIGHT (OLD MODEL)	INTERR. GRUPPO MOD.EE CON LED ROSSO (VECCHIO MODELLO)
2a	L288	PILOT LAMP	SEGNALATORE LUMINOSO
2b	L284	BLANK SWITCH PLATE	TAPPO NERO
3	L286/1	WHITE PUSH BUTTON WITH STEAM	PULSANTE TASTO BIANCO VAP.NERO
4	L285/2	WHITE SWITCH WITH STEAM	INT/RE TASTO BIANCO VAP. NERO
5	L286	WHITE PUSH BUTTON WITH WATER	PULS.TASTO BIANCO SIMB.ACQUA
6	L285/1	WHITE SWITCH WITH CUPS YMBOL	INT/RE TASTO BIANCO TAZZA NERA
7	L285	CUP-WARMER SWITCH WITH RED LED	INT/RE TASTO BIANCO LED ROSSO
8	L285/T	OFF/ON PLATE	TARGHETTA INTERRUTTORE OFF/ON
9a	LAD3D5/P	3D5 BUTTON BOX	PULSANTIERA 3D5 NO THE
9b	LAD3D5/PSC	PLASTIC BOX FOR 3D5 KEYPAD	SCATOLA PER PULSANTIERA 3D5
10	LAD3D5/THE	3D5 BUTTON BOX + TEA PROGRAM	PULSANTIERA 3D5 CON SPINA THE'
11a	LAD3D5/P3C	P3 CHRONO BUTTON BOX	PULSANTIERA 3D5 P3 CRONO
11b	LAD3D5/P3SC	COMPLETE BOX FOR CRONOS KEYPAD	INVOLUCRO PER PULS CRONOS
11c	LAD3D5/P3CM	MEMBRANE FOR CRONOS KEYPAD	MEMBRANA PER PULSANT.CRONOS
12	L280.01	DOUBLE SCALE PRESSURE GAUGE - FROM S/N 30671	MANOMETRO DOPPIA SCALA - DA N° DI SERIE 30671
13	CL14/*AV	* GRP FAIRING AV	CARENATURA * GR. AV
14a**	CL14/*	* GRP FAIRING EE	CARENATURA * GR. EE
14b	CL14/*USA	EE *GR. CONTROL PANEL (USA)	CARENATURA * GR. EE USA
15	C.2.021	LINEA PADDLE GROUP BAKELITE FRONT FRAME	MOSTRINA PADDLE IN BAKELITE LINEA
16	C.2.020	LINEA PADDLE BAKELITE HANDLE	MANIGLIA PADDLE BAKELITE LINEA
17	E.3.002.01	PRESS.GAUGE GB/5 0-3BAR	MANOMETRO CALDAIA VAPORE 0-3 BAR + CAPIL
18	E.3.001.02	PRESS.GAUGE GB/5 0-18BAR	MANOMETRO C/SAT 0-18 BAR + CAPILLARE
19	CL14/*P	* GRP FAIRING PADDLE	FRONTALE INTERR. LINEA PADDLE * GR
Item	Part number/Codice	Description	Descrizione

* = Number of groups / Numero gruppi

** FROM S/N 36391 NO LONGER IN PRODUCTION, PLEASE CONTACT AFTER SALES DEPARTMENT FOR FURTHER INFORMATION.

CONTROL PANEL ASSEMBLY - AV & EE



** FROM S/N 36391 NO LONGER IN PRODUCTION, PLEASE CONTACT AFTER SALES DEPARTMENT FOR FURTHER INFORMATION.



la marzocco

handmade in florence

CONTROL PANEL ASSEMBLY - AV & EE

Pannello di Controllo

1a**	L287	BREW SWITCH WITH RED LIGHT	INTERR. GRUPPO MOD.EE CON LED ROSSO
1b**	L283	NEW EE BIPOLAR SWITCH	NUOVO INTERRUTT. GRUPPO EE
1c	L283/C	SWITCH, MANUAL BREW, EE, COMPLETE WITH BEZEL	INTERRUTTORE GRUPPO MOD. "EE", COMPLETO DI CORNICE
1d	L282/1	EE SWITCH (NO FOR USA)	INTERRUTTORE GRUPPO EE (NO USA)
1e	E.2.035	LINEA EE SWITCH FOR U.S.A.	INTERRUTTORE EE LINEA X ETL
2	L288	PILOT LAMP	SEGNALATORE LUMINOSO
	L284	BLANK SWITCH PLATE	TAPPO NERO
3	L286/1	WHITE PUSH BUTTON WITH STEAM	PULSANTE TASTO BIANCO VAP.NERO
4	L285/2	WHITE SWITCH WITH STEAM	INT/RE TASTO BIANCO VAP. NERO
5	L286	WHITE PUSH BUTTON WITH WATER	PULS.TASTO BIANCO SIMB.ACQUA
6	L285/1	WHITE SWITCH WITH CUPS YMBOL	INT/RE TASTO BIANCO TAZZA NERA
7	L285	CUP-WARMER SWITCH WITH RED LED	INT/RE TASTO BIANCO LED ROSSO
8	L400/32/4.01	32A WIRED SWITCH	COMMUTATORE BIPOLARE 32A CABL.
9	L400/32T	32A TRIPOLAR MAIN SWITCH	COMMUTATORE TRIPOLARE 32 AMP
10	L400/17/12.01	16 AMP. MAIN SWITCH-1/2 GR.	COMMUTATORE TRIPOLARE 16 AMP
11	L400/K	MAIN POWER SWITCH KNOB	MANOPOLA PER COMMUTATORE
12	L400/T.1	0-1-2 SWITCH LABEL	TARGHETTA 0-1-2
13	L120/1CR	SIGHT GLASS DRAIN FITTING	RACCORDO SVUOTAGGIO CROMATO
14	L120/2A	COPPER WASHER 12X6X1	RONDELLA RAME 6X12X1
15	L120/2	M6X10 S/S HEX ALLEN SCREW	BULLONE ACC.INOX 6X10 T.BRUG.
16	L122/A	SIGHT GLASS VITON O-RING 8-162	GUARNIZIONE OR 8-162 VITON
17	L122	SIGHT GLASS, GLASS D 61,5 THK 5	VETRO LIVELLO DM.61.5X5SPESS.
18	L122/B	SIGHT GLASS GASKET 62X55X0,5	GUARNIZIONE PIANA 62X55X0.5
19	L121	SIGHT GLASS CHROME BEZEL	GHIERA LIVELLO CROMATA
20	L120_C.01	COMPLETE SIGHT GLASS	LIVELLO COMPLETO
21	E.4.023	WHITE LED 16MM	LED 16MM BIANCO
22	E.4.024	LIGHTS UL POWER SUPPLY	ALIMENTATORE UL X LUCI
Item	Part number/Codice	Description	Descrizione
* = Number of groups / Numero gruppi			

** FROM S/N 36391 NO LONGER IN PRODUCTION, PLEASE CONTACT AFTER SALES DEPARTMENT FOR FURTHER INFORMATION.

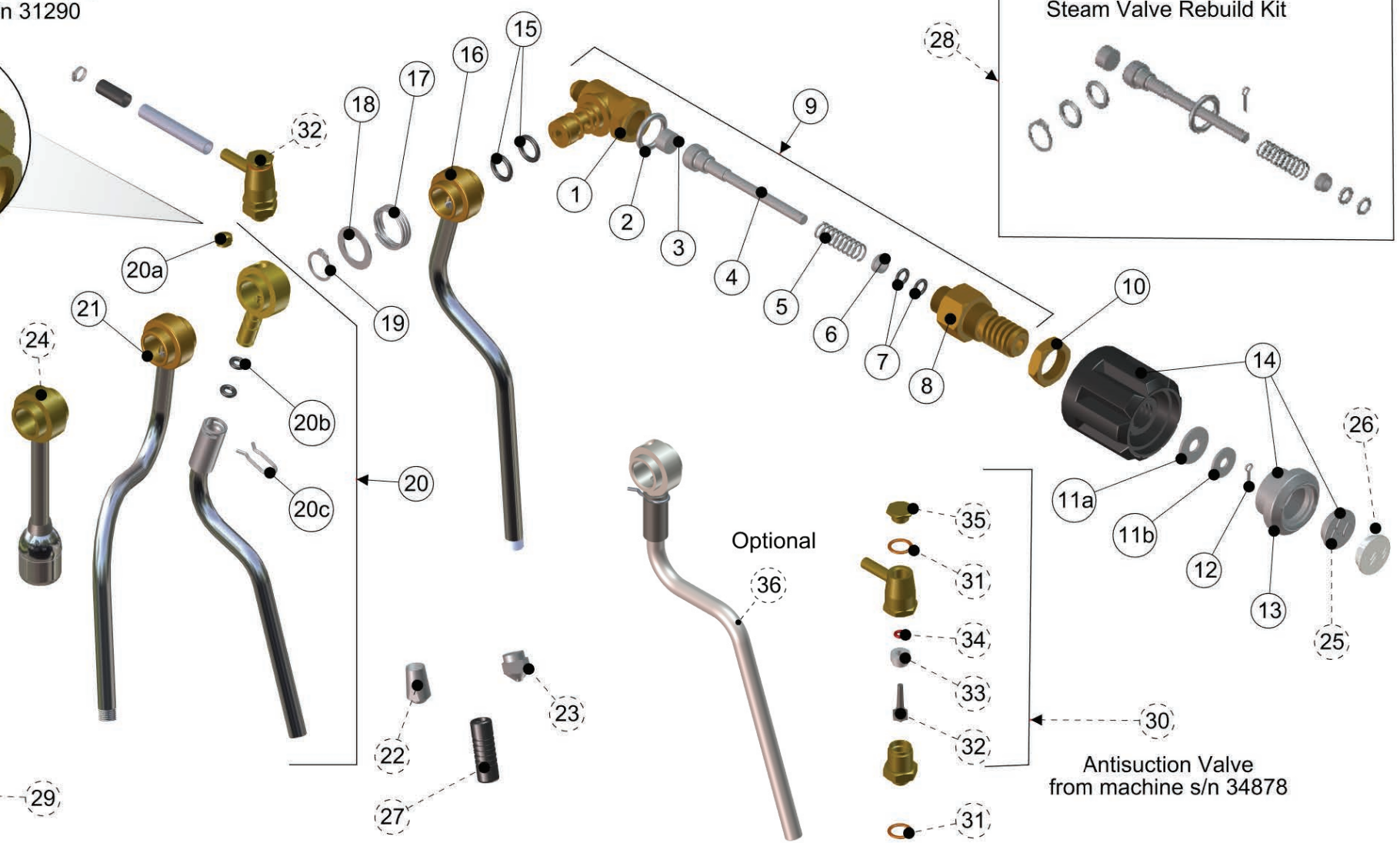
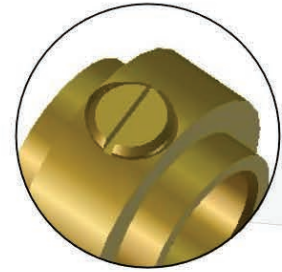


la marzocco

handmade in florence

STEAM WAND ASSEMBLY

Ready for Antisuction Valve
from machine s/n 31290



Antisuction Valve
from machine s/n 34878



la marzocco

handmade in florence

STEAM WAND ASSEMBLY

Lancia - Rubinetto Vapore

1	L167	STEAM VALVE BODY	CORPO RUBINETTO
2	L167/1	ASSEMBLY COPPER WASHER	RONDELLA RAME 22X16.5X2.5
3	L165/5	SHAFT GASKET	GUARNIZIONE PIANA X STELO RUB.
4	L169	STEAM SHAFT WITH GASKET	STELO RUBINETTO CON GUAR.PIANA
5	L165/4	STEAM SHAFT SPRING	MOLLA RITORNO STELO
6	L165/7	SHAFT BUSHING	BUSSOLA OTTONE X STELO
7	L165/6	SHAFT VITON O-RING	GUARN. OR 85 VITON X STELO RUB
8	L168	LARGE PITCH VALVE SHAFT	RACCORDO RUBINETTO PASSO LUNGO
	L168/0	LITTLE PITCH VALVE SHAFT	RACCORDO RUBINETTO PASSO CORTO
9	L165	LARGE PITCH STEAM VALVE	RUBINETTO VAPORE PASSO LUNGO
10	L168/1	STEAM ASSEMBLY NUT	DADO 1/2 BLOCCAGGIO RUBINETTO
11a	L165/9B	BRASS WASHER 21X6X1.5	RONDELLA OTTONE 21X6X1.5
11b	L165/9	WASHER 6,5X18X1,5	RONDELLA ZINCATA 6.5X18X1.5 DIN 9021
12	L165/8	COTTER PIN	COPPIGLIA FERMO VOLANTINO INOX
13	L165/M	BEZEL	GHIERA
14	L165/V	STEAM KNOB W/ INSERT+INSIGNIA	VOLANTINO PASSO LUNGO + GHIERA
15	L167/2	BANJO STEAM VALVE BODY O-RING	GUARN.OR 8-9 VITON X SNODO
16	L170/DX.R	TUBO VAPORE DX FISSO COMPLETO	TUBO VAPORE DX FISSO COMPLETO
17	L165/1	BANJO STEAM VALVE SPRING	MOLLA SNODO VAPORE
18	L165/2	BRASS WASHER FOR SPRING	RONDELLA OTTONE X SNODO 16X26X1
19	L165/3	SNAP RING	ANELLO SEEGER X SNODO
20	L171.R	STEAM WAND ASSEMBLY	TUBO VAPORE GIREVOLE COMPLETO
20a	L171.T	CAP FOR STEAM WAND	TAPPO X TUBO VAPORE LINEA
20b	L171/2	SWIVEL WAND VITON O-RING	GUARNIZIONE OR 8-106 VITON
20c	L171/3	STAINLESS STEEL SPLIT PIN	COPPIGLIA X TUBO VAPORE
21	L170/SX.R	STEAM WAND, SS, 60 LEFT (CUSTOM)	TUBO VAPORE SX FISSO COMP.LUNG
Item	Part number/Codice	Description	Descrizione

* = Number of groups / Numero gruppi



la marzocco

handmade in florence

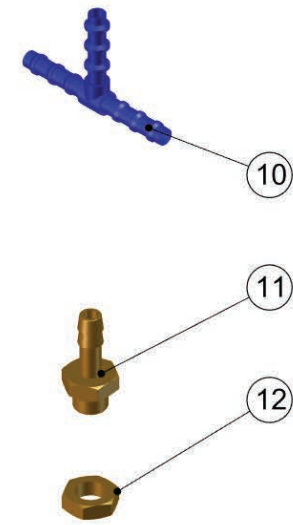
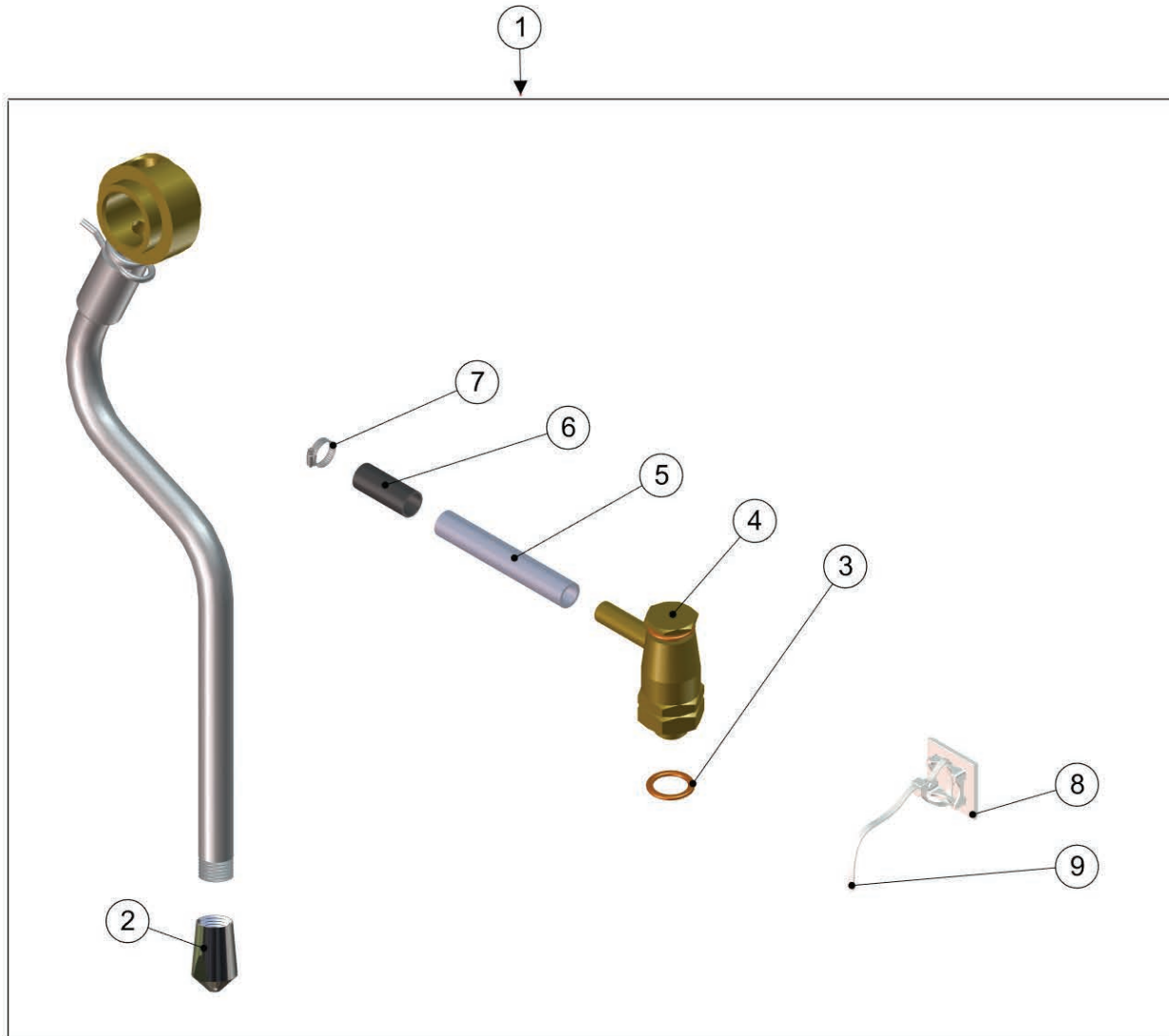
STEAM WAND ASSEMBLY

Lancia - Rubinetto Vapore

22	L173	S/S STEAM WAND TIP	SPRUZZATORE INOX X TUBO VAPORE
23	L172	STEAM WAND TIP	SPRUZZATORE X TUBO VAPORE 1/8
24	TL18	S/S TUBE HOT WATER FOR 1 GRP	TUBO ACQUA CALDA 1GR. ACC.INOX
25	L165/MV	STEAM VALVE INSIGNIA	TAPPO SIMBOLO VAPORE
26	L165/MA	HOT WATER INSIGNIA	TAPPO SIMBOLO ACQUA CALDA
27	L171/G	STEAM WAND RUBBER	GOMMINO ANTISCOTTAT. TUBO VAP.
28	L165/K	STEAM VALVE REBUILD KIT	KIT RUBINETTO VAPORE
29	L171TF.R	PORTAFLOX-COATED COMPLETE SWIVEL	TUBO VAPORE COMPLETO TEFLONATO
30	L192.01	ANTI-SUCTION VALVE	VALVOLA ANTI-DEPRESSIONE X RUBINETTO
31	B.1.001.TR	COPPER WASHER 14X10X1,3	RONDELLA X TAPPO RUB VAPORE C/ANTI
32	B.2.013	ANTI-SUCTION VALVE SHAFT	ASTA X VALV ANTIRISUCCHIO
33	F.2.019	O-RING 102 SILICON 70 SHA	OR-102 SILICONE 70SHA VALV ANTIRISUCCHIO
34	B.3.001	PTFE ANTI-SUCTION VALVE SEAL	PASTIGLIA TEFLON X VALV. ANTI
35	B.1.001.T	G1/8 ANTI-SUCTION VALVE CAP	TAPPO 1/8
36	T.2.125	SWIVEL STEAM WAND COMPLETE L 18,5 CM	LANCIA VAPORE GIREVOLE COMPLETA L 18,5CM
Item	Part number/Codice	Description	Descrizione

* = Number of groups / Numero gruppi

STEAM WAND ASSEMBLY





la marzocco

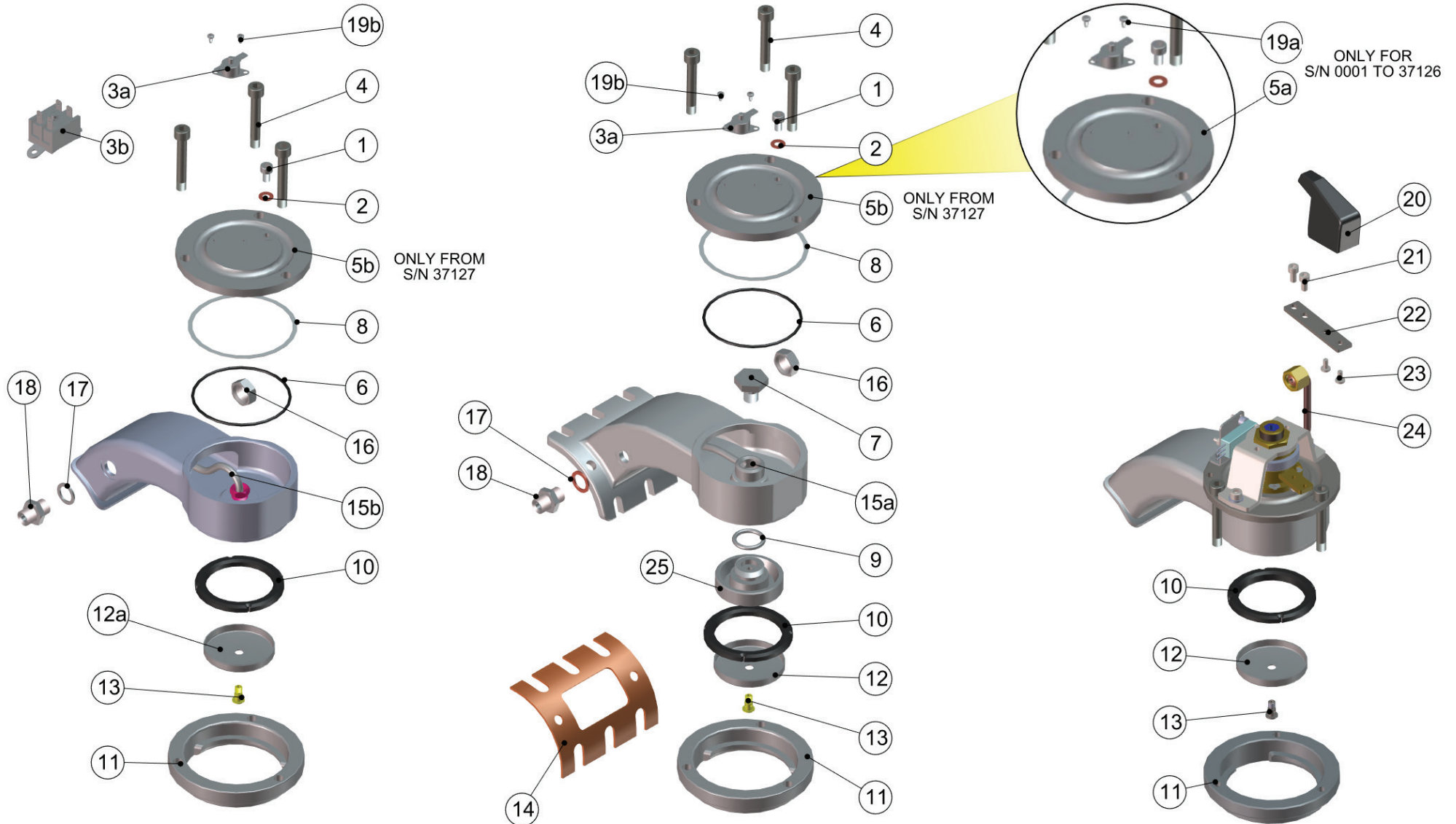
handmade in florence

STEAM WAND ASSEMBLY

Kit Antirisucchio

1	L171/X	STEAM WAND ASSEMBLY WITH ANTI-SUCTION VALVE	ASSIEME TUBO VAPORE CON VALV ANTIRIS.
2	L173	S/S STEAM WAND TIP	SPRUZZATORE INOX X TUBO VAPORE
3	B.1.001.TR	COPPER WASHER 14X10X1,3	RONDELLA X TAPPO RUB VAPORE C/ANTI
4	L192.01	ANTI-SUCTION VALVE	VALVOLA ANTI-DEPRESSIONE X RUBINETTO
5	T.4.001	ANTI-SUCTION VALVE SILICON TUBE	TUBO SILICONE VALV ANTIRISUCCHIO
6	L339/2	VETROTEX SHEATH DM. 8	GUAINA VETROTEX DIA 8 MM
7	A.5.007	HOSE CLAMP	FASCETTA 8-12 BANDA 8 VITE ZINCATA
8	5.V010	FASTENER ADHESIVE SUPPORT	INCOLLINI
9	L338/L100	PLASTIC FASTENER 100X2.5	FASCETTA FERMAFILO 98X2.5
10	A.7.001	T FITTING FOR SILICON TUBE	RACCORDO A T X ANTIRISUCCHIO
11	L292	GS/3 TUBE FITTING	PORTAGOMMA GS/3
12	L292/R	G1/8" CHROME NUT	RACCORDO PORTAGOMMA INOX 1/8
Item	Part number/Codice	Description	Descrizione
* = Number of groups / Numero gruppi			

COFFEE BOILER - GROUP





la marzocco

handmade in florence

COFFEE BOILER - GROUP

Caldaia Caffè

1	L120/2	M6X10 S/S HEX ALLEN SCREW	BULLONE ACC.INOX 6X10 T.BRUG.
2	L120/2A	COPPER WASHER 12X6X1	RONDELLA RAME 6X12X1
3a	L276.01	KLIXON TRIP FREE 130° THERMOSTAT	TERMOSTATO KLIXON TRIP FREE TEMP 130°
3b	L276/B	BIPOLAR SAFETY THERMOSTAT	TERMOSTATO SICUREZZA C°130 BIP
4	L110.01	M8X52 S/S ALLEN BOLT (THR 8,5)	BULLONE 8X52 FIL.8 BRUGOLA ACC.INOX
5a	L103	GROUP COVER CHROMIUM PLATED	COPERCHIO GRUPPO NICKELATO
5b	A.5.024	GROUP CAP AISI 316L	COPERCHIO GRUPPO AISI 316L
6	L103/A	ORING 2-151 VITON	GUARNIZIONE OR 8-2-151 VITON
7	L100/3	BANJO BOLT	DADO A STELO ES.24
8	L103/B	FIBER GASKET 87X81X0,5	GUARNIZ. PIANA 87X81X0.5 NOVUS
9	L105/A	O-RING GASKET	GUARNIZIONE OR 8-126
10	H.3.001	GROUP GASKET NBR 72/63x55x8	GUARNIZIONE SOTTOCOPPA NBR 72/63x55x8
	H.3.002	GROUP GASKET NBR 72/63x55x9	GUARNIZIONE SOTTOCOPPA NBR 72/63x55x9
11	L109.01	BAYONET RING	ANELLO PORTACOPPA CROMATO
12	L107	DIFFUSION SCREEN	DOCCETTA
	F.3.040	COFFEE SHOWER SCREEN PLUS LOGO	DOCCETTA RINFORZATA + LOGO
13	L106/V.02	S/S DIFFUSER SCREW	VITE DIFFUSORE ACC.INOX 304L DM.10
14	L100/A_G	FLANGE GASKET - VITON (GREEN)	GUARNIZIONE VITON PER GRUPPO
15a	TL27	INSIDE GROUP T.COFFEE DELIVERY	TUBO ALIMENT/NE INTERNO GRUPPO
15b	TL29.01	INTERNAL GRP TUBE	TUBO ALIMENT/NE INTERNO GRUPPO IN TEA
16	L100/5	G1/4" BRASS NUT	G1/4" BRASS NUT
17	L100/1A	COPPER WASHER 19X13,5X1,5	RONDELLA RAME 13.5X19X1.5
18	L037/3	1/4 NIPPLE NICKEL-PLATED	NIPPLO 1/4M. ES19 NICHELATO NSF
19a	VITEAUT2.9X4.5	2.9X4.5 SELF-THREADING SCREW	VITE AUTOFILET.FE.ZIN.2.9X4.5
19b	I.1.060	M3X6 S/S FLAT PHILLIPS HEAD SCREW	VITE INOX 3X6 TSP TCR DIN 965 A2-70
20	C.2.020	LINEA PADDLE BAKELITE HANDLE	MANIGLIA PADDLE BAKELITE LINEA
21	I.1.005	M5X10 S/S HEX ALLEN BOLT	BULLONE INOX 5X10 TESTA BRUGOLA
22	F.3.023	S/S PADDLE LEVER	LEVA INOX PADDLE LUNGH 125
23	I.1.006	M4X8 S/S BUTON PHILLIPS HEAD SCREW	VITE INOX M4X8 T9 H2.5 TBB TCR A2-70
24	T.1.102	OUTLET TUBE PADDLE GROUP	TUBO SCARICO GRUPPO PADDLE
25	L105	DIFFUSER BLOCK (OLD GROUP)	DIFFUSORE (VECCHIO GRUPPO)
Item	Part number/Codice	Description	Descrizione

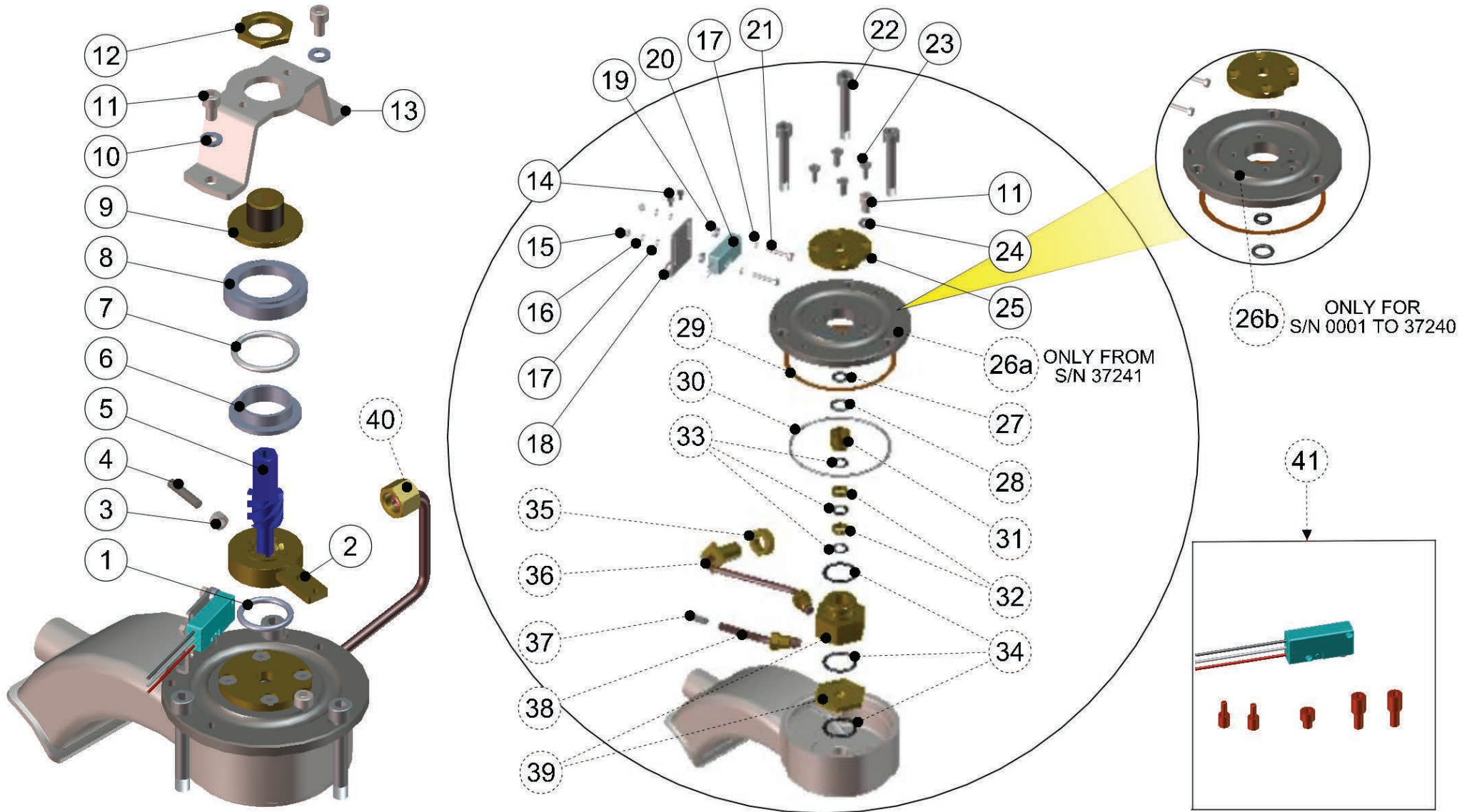
* = Number of groups / Numero gruppi



la marzocco

handmade in florence

COFFEE BOILER - MP





la marzocco

handmade in florence

COFFEE BOILER - MP

Caldaia Caffè

1	F.4.010	PTFE O-RING 23,4X3,53 FOR PADDLE	O RING PTFE X PADDLE 23.40X3.53
2	A.1.010	BRASS ENDLESS SCREW FOR PADDLE	VITE OTT SENZA FINE FEM. PADDLE
3	DADO5M	S/S NUT 5	DADO M5 ACC INOX
4	A.5.005	MICROSWITCH ACTUATOR FOR PADDLE	ATTUATORE ACC. PER MICRO PADDLE
5	A.5.003	S/S SHAFT FOR PADDLE	ALBERINO X PADDLE
6	F.4.009	TEFLON RING D38 FOR PADDLE	ANELLO TEFLON X PADDLE DIA 38
7	H.1.016	ORING 2-217 137 29,75X3,53 NBR	OR 137 DIA INT 29.75 CORDA 3.53
8	F.4.008	TEFLON RING D45 FOR PADDLE	ANELLO TEFLON X PADDLE DIA 45
9	A.1.014	BRONZE WASHER HEX PADDLE	ROND BRONZO GUIDA ES. PADDLE
10	RONDELLA6X12	S/S WASHER 6X12X1,5	RONDELLA INOX 6X12 SP.1.5
11	L120/2	M6X10 S/S HEX ALLEN SCREW	BULLONE ACC.INOX 6X10 T.BRUG.
12	A.4.003	M20X1,5 H5 BRASS NUT FOR PADDLE	M20X1,5 H5 BRASS NUT FOR PADDLE
13	F.3.020	S/S JUMPER FOR PADDLE	CAVALLOTTO INOX X PADDLE
14	VITE3X10	S/S SCREW M3X10 PHILLIPS HEAD	VITE M3X10 INOX TCTCR
15	DADO3M	M3 BRASS NUT UNI 5588	DADO M3 OTTONE UNI 5588
16	I.3.007	M3 SERRATED LOCK WASHER	RONDELLA DENTELLATA M3 ZIN
17	RONDINOXGS/3	S/S WASHER 3X6	RONDELLA INOX 3X6
18	C.1.067	MICROSWITCH BRACKET FOR PADDLE	SUPPORTO MICRO INTERRUETTORE PADDLE
19	I.3.004	ALUMINUM SPACER 3,5X8X2,5	DISTANZIALE ALL. 3.5X8X2.5 MM
20	E.2.011/GB5	MICROSWITCH W/ WIRING	MICROSWITCH W/ WIRING
21	I.1.055	M3X20 S/S HEX HEAD SCREW	VITE3X20 ESAG INOX
22	L110.01	M8X52 S/S ALLEN BOLT (THR 8,5)	BULLONE 8X52 FIL.8 BRUGOLA ACC.INOX
23	VITE5X10	M5X10 S/S HEX FLAT HEAD SCREW	VITE AISI300 M5X10 PIANA PADDLE
24	L120/2A	COPPER WASHER 12X6X1	RONDELLA RAME 6X12X1
25	A.1.015	BRASS WASHER FOR PADDLE	ROND OTT PREMICOPO VALVOLA PADDLE

Item

Part number/Codice

Description

Descrizione

* = Number of groups / Numero gruppi



la marzocco

handmade in florence

COFFEE BOILER - MP

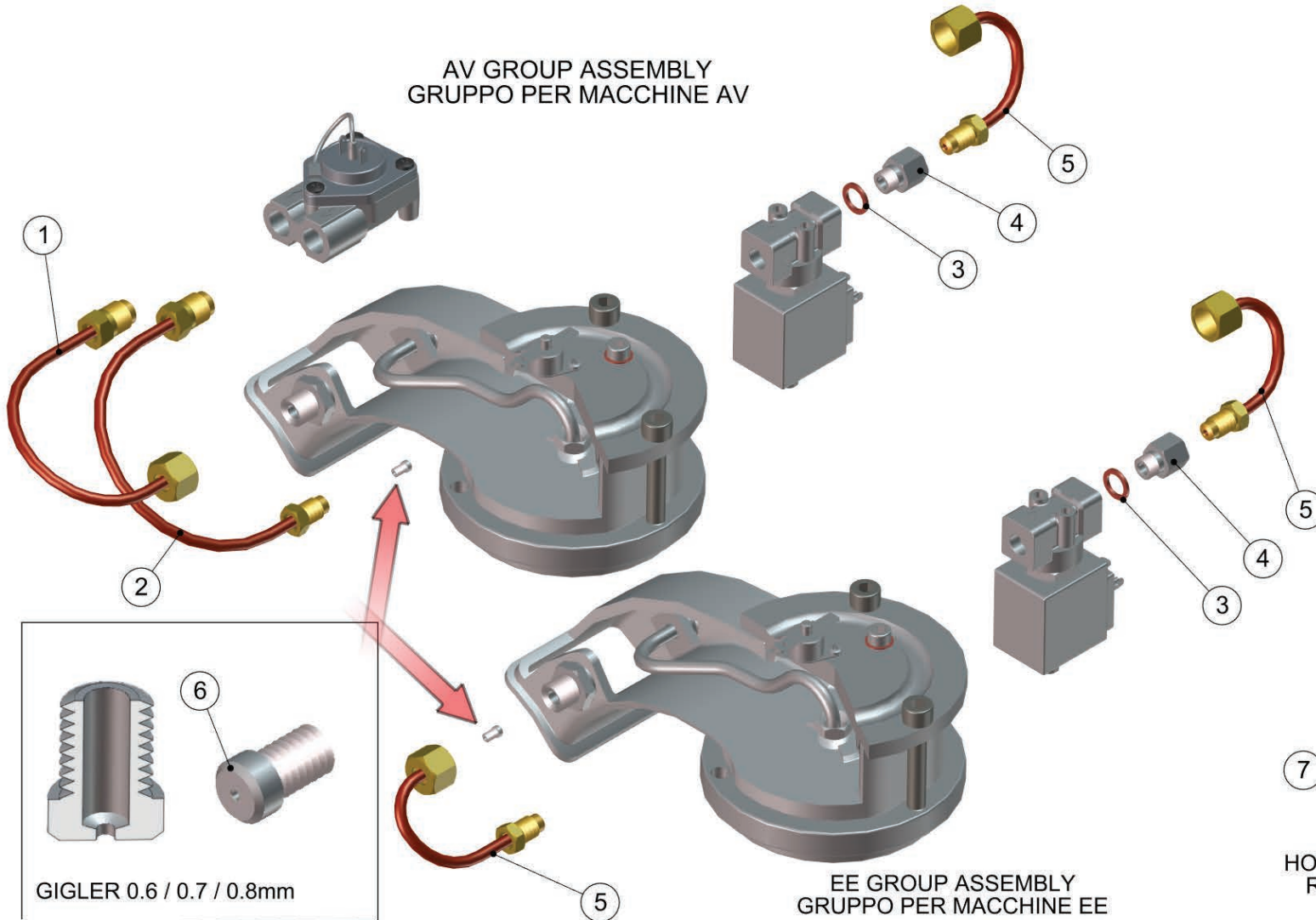
Caldaia Caffè

26a	L103/GS3P	GS3 PADDLE COVER (NICKEL)	COPERCHIO GS/3 PADDLE NICHEL
26b	A.5.026	S/S GROUP CAP FOR PADDLE	COPERCHIO PADDLE IN ACCIAIO AISI 31
27	H.1.018	ORING 109 (2-110) EPDM 70 SHA	OR 109 - (2-110) IN EPDM - 70SHA
28	H.1.019	ORING 113 (2-111) EPDM 70 SHA	OR 113 (2-111) IN EPDM 70 SHA
29	L103/B	FIBER GASKET 87X81X0,5	GUARNIZ. PIANA 87X81X0.5 NOVUS
30	L103/A	ORING 2-151 VITON	GUARNIZIONE OR 8-2-151 VITON
31	B.2.015.02	GLAND SPACER FOR PADDLE	PREMISTOPPA X PADDLE INOX 304 L
32	B.2.014.03	SPACER FOR PADDLE O-RING HIGH POLISHED	DISTANZIALE O-RING PADDLE ALTO LIV LUCID
33	H.1.011.01	ORING 2037, 110 (2-012) EPDM 70SHA	ORING 2037, 110 (2-012) EPDM 70SHA
34	H.1.010.01	ORING 3087 (2-118) EPDM 70 SHA	OR3087 EPDM 70 SHA PARKER
35	L100/5	G1/4" BRASS NUT	G1/4" BRASS NUT
36	T.1.100.01	WATER EXHAUST TUBE PADDLE VALVE WITH S/S	TUBO SCARICO ACQUA VALVOLA PADDLE
37	F.2.003	GIGLEUR IN SYNTHETIC RUBY Ø 0.6	GIGLER PER COPERCHIO IN RUBINO 0.6
38	T.1.101.01	PADDLE WATER INLET TUBE	TUBO CARICO ACQUA VALVOLA PADDLE
39	B.2.012.R	PADDLE VALVE BODY + S/S NUT FOR PADDLE	ASS. CORPO VALV PADDLE + CONTRODADO
40	T.1.102	OUTLET TUBE PADDLE GROUP	TUBO SCARICO GRUPPO PADDLE
41	E.2.039	MICROSWITCH COMPLETE WITH LUG	KIT MICROINTERRUT. E CAPICORDA
Item	Part number/Codice	Description	Descrizione

* = Number of groups / Numero gruppi

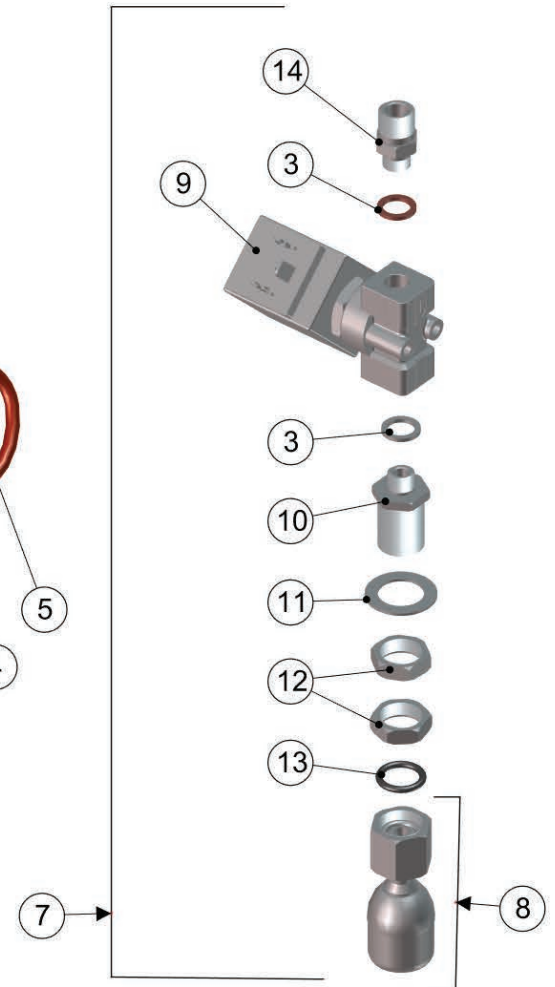
COFFEE BOILER ASSEMBLY - GROUP

AV GROUP ASSEMBLY
GRUPPO PER MACCHINE AV



GIGLER 0.6 / 0.7 / 0.8mm

EE GROUP ASSEMBLY
GRUPPO PER MACCHINE EE



HOT WATER VALVE ASSEMBLY
RUBINETTO ACQUA CALDA



la marzocco

handmade in florence

COFFEE BOILER ASSEMBLY - GROUP

Gruppo

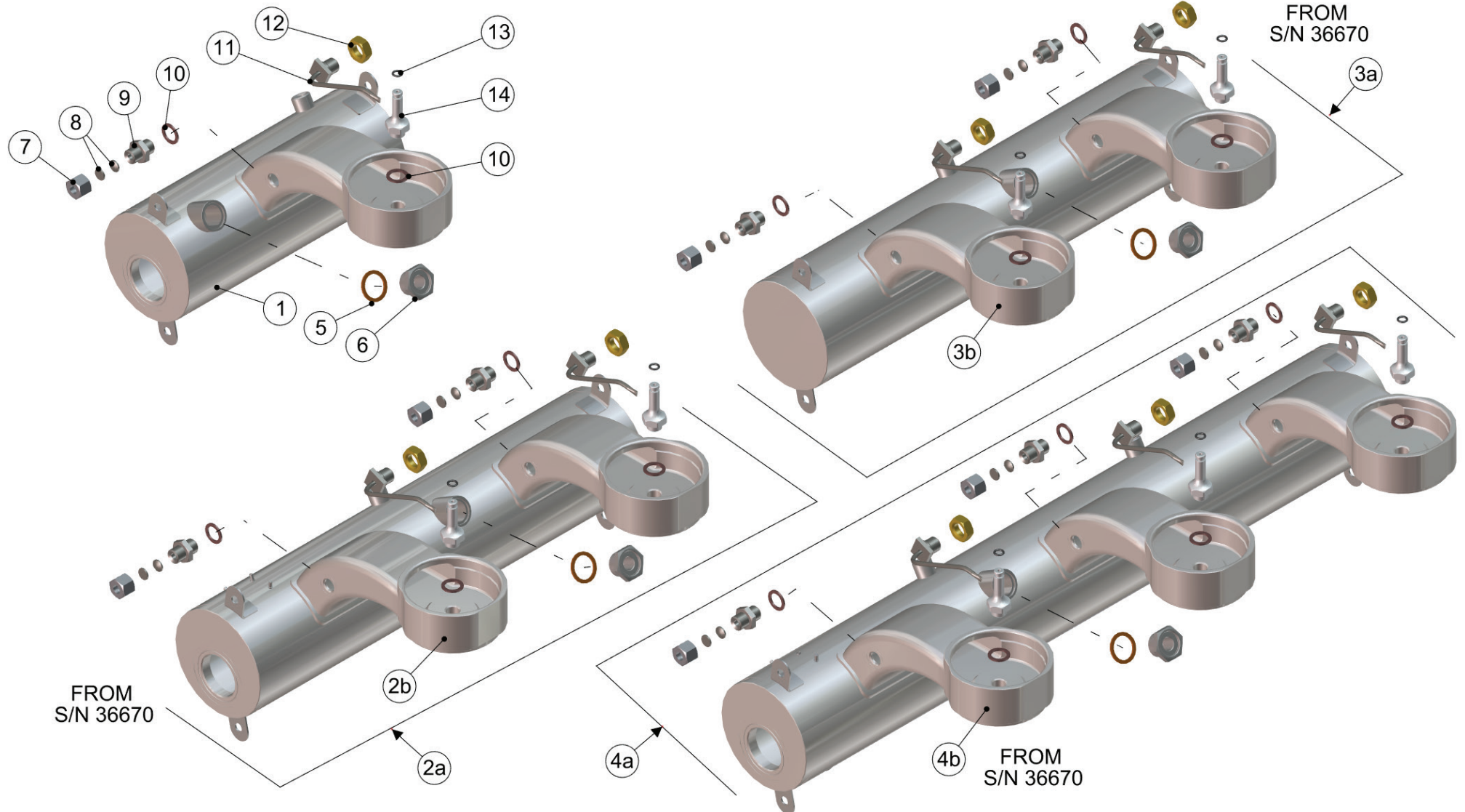
1	TLAD01/1	TUBE CROSS FITTING -FLOW METER	TUBO CROCERA-CONT.VOLUM. 1 GR.	
	TLAD01	TUBE FROM GROUP TO FLOW METER	TUBO GRUPPO-CONTATORE VOLUMET.	
	2	TLAD02/1	TUBE COFFEE BOILER- FLOW METER 1GR	TUBO CONT.VOLUM.-CAL.SAT. 1GR.
		TLAD02	TUBE FLOW METER - SOLENOID	TUBO CONTATORE VOL.- ELETTRV.
		TLAD02.F	TUBE FLOW METER TO SOLENOID - THREADED	TUBO CONT. VOL.- ELETTRV.FILETT
	3	L100/D	COPPER WASHER 14X10X1,5	RONDELLA RAME 10X14X1.5
	4	L100/C	G1/8"M - G1/8"F S.V. FITTING	RACCORDO M.1/8-F.1/8 EV.3VIE
	5	TL25/26	TUBE (NON-TAPPED) FROM GROUP TO SOLENOID	TUBO GRUPPO-ELETTROVALV. NON-FILETT
		TL25/26.F	TUBE FROM GROUP TO SOLENOID (TAPPED)	TUBO GRUPPO-ELETTROVALVOLA FILETTATO
	6	L087/GI6	WATER INJECTOR HOLE 0.6MM	GIGLER ES.5 MM. FORO DM.0.6
		L087/GI7	WATER INJECTOR HOLE 0.7MM	GIGLER ES.5 MM. FORO DM.0.7
		L087/GI8	WATER INJECTOR HOLE 0.8MM	GIGLER ES.5 MM. FORO DM.0.8
	7	L053/C	HOT WATER VALVE COMPLETE, 208-240VAC	VALVOLA ACQUA CALDA COMPLETA, 208-240VAC
		L053/C200	HOT WATER VALVE COMPLETE, 200V	VALVOLA ACQUA CALDA COMPLETA, 200V
8	L160	HOT WATER SPOUT	NUOVO DIFFUSORE ACQUA CALDA	
9	L053.01	2-WAY SOLENOID VALVE 220/240V - 50/60HZ	ELETTROVALVOLA 2 VIE	
	L053/200	2WAY SOLENOID VALVE 200VOLTS	ELETTROVALVOLE 2 VIE	
10	L053/2.01	M G1/8" - M G3/8" FITTING	RACCORDO M.1/8-M.3/8 E.V. 2 VIE C/TEA	
11	L165/2	BRASS WASHER FOR SPRING	RONDELLA OTTONE X SNODO 16X26X1	
12	L183/1	G3/8" CHROME HEX NUT	CONTRODADO 3/8 CROMATO	
13	L169/A1	PTFE GASKET 10X2,5	GUARNIZIONE TEFLON FA 112	
14	L053/1	M G1/8" - M G1/4" FITTING	RACCORDO M.1/8-M.1/4 X EV.	
Item	Part number/Codice	Description	Descrizione	
* = Number of groups / Numero gruppi				



la marzocco

handmade in florence

COFFEE BOILER ASSEMBLY





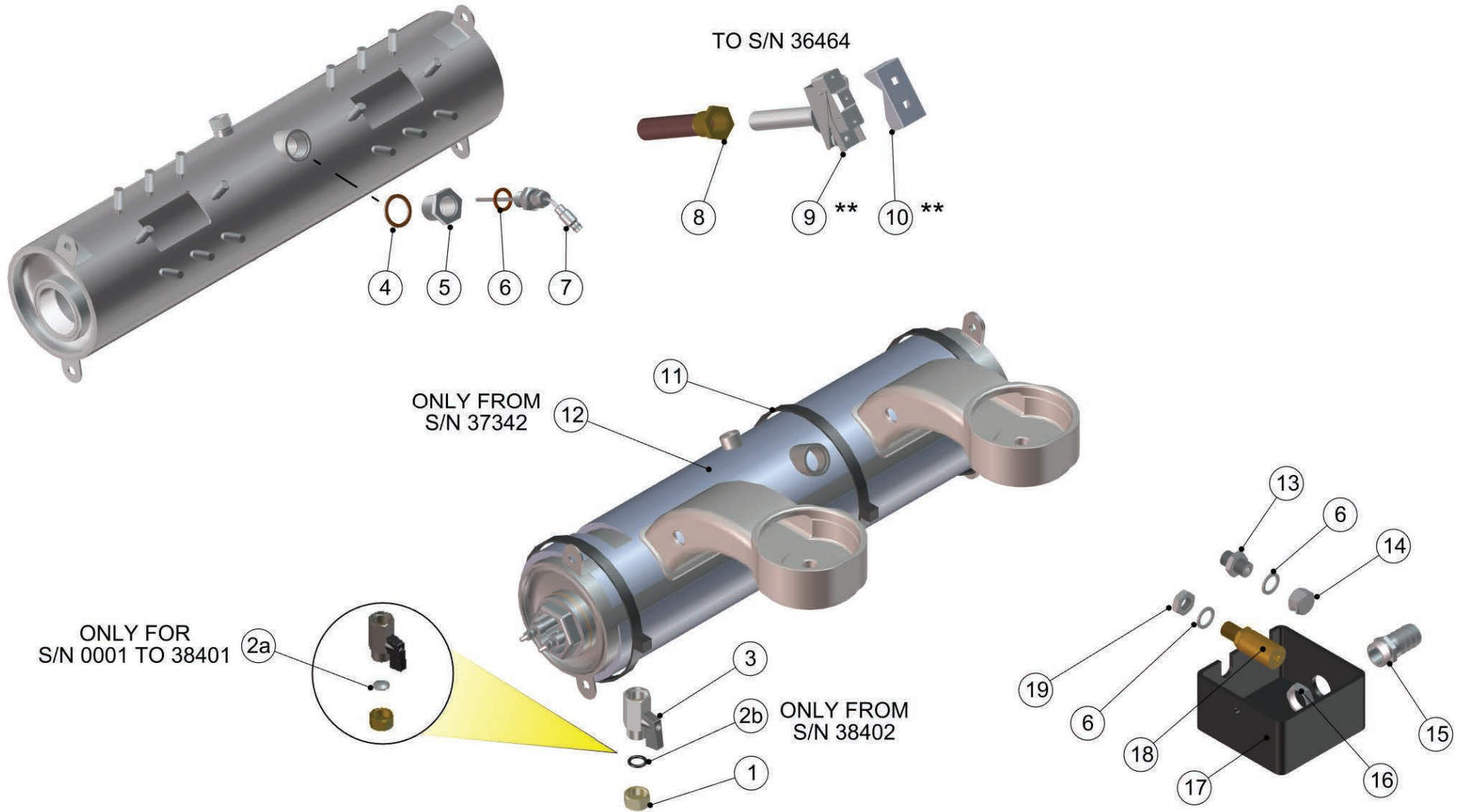
la marzocco

handmade in florence

COFFEE BOILER ASSEMBLY

Caldaie Caffè Ricambi	1	L.1.005.1	1GR COFFEE BOILER	CALDAIA SATURA 1 GR SALDATI
	2a	L.1.005.2GB.R	2GR COFFEE BOILER SPARE KIT	CALDAIA SATURA 2 GR GB5
	2b	L.1.005.2.01	2GR COFFEE BOILER	CALDAIA SATURA 2 GR FOND. PIATTI
	3a	L.1.005.2DGB.R	2GR RIGHT COFFEE BOILER SPARE KIT	CALDAIA SATURA 2 GR GB5 DX
	3b	L.1.005.2DX.01	2GR RIGHT COFFEE BOILER	CALDAIA SATURA NUOVI FONDELLI
	4a	L.1.005.3GB.R	3GR COFFEE BOILER SPARE KIT	CALDAIA SATURA 3 GR GB5
	4b	L.1.005.3.01	3GR COFFEE BOILER	CALDAIA SATURA 3 GR FONDELLI PIATTI
	5	L260/1A	COPPER WASHER 26x21x2,5	RONDELLA RAME 26X21X2,5
	6	A.2.007	PT1000 PROBE ADAPTOR	RIDUZIONE PER Sonda PT1000
	7	L130/4.01	G1/4F FITTING, WR16 H13.5 D8	RACCORDO G1/4F CH16 H13.5 D8
8	L137/4	11mm BLIND FERRULE	GHIANDINA DM.11 CHIUSA	
9	L037/3.01	G1/4" NIPPLE FITTING	NIPPLO 1/4M. ES19	
10	L100/1A	COPPER WASHER 19x13,5x1,5	RONDELLA RAME 19x13,5x1,5	
11	B.1.003.01	RIGHT SIDE GROUP NECK CAP	TAPPO DX PER GRUPPO	
12	L100/5	G1/4" BRASS NUT	CONTRODADO 1/4" GAS ES.20	
13	H.1.006	ORING 2025, 105, 2-010 VITON	O-RING PER CANOTTO	
14	A.2.009.01	S/S ADAPTER	CANOTTO EROGAZIONE INOX 316L	
Item	Part number/Codice	Description		Descrizione
* = Number of groups / Numero gruppi				

COFFEE BOILER ASSEMBLY



** NO LONGER IN PRODUCTION, PLEASE CONTACT AFTER SALES DEPARTMENT FOR FURTHER INFORMATION.



la marzocco

handmade in florence

COFFEE BOILER ASSEMBLY

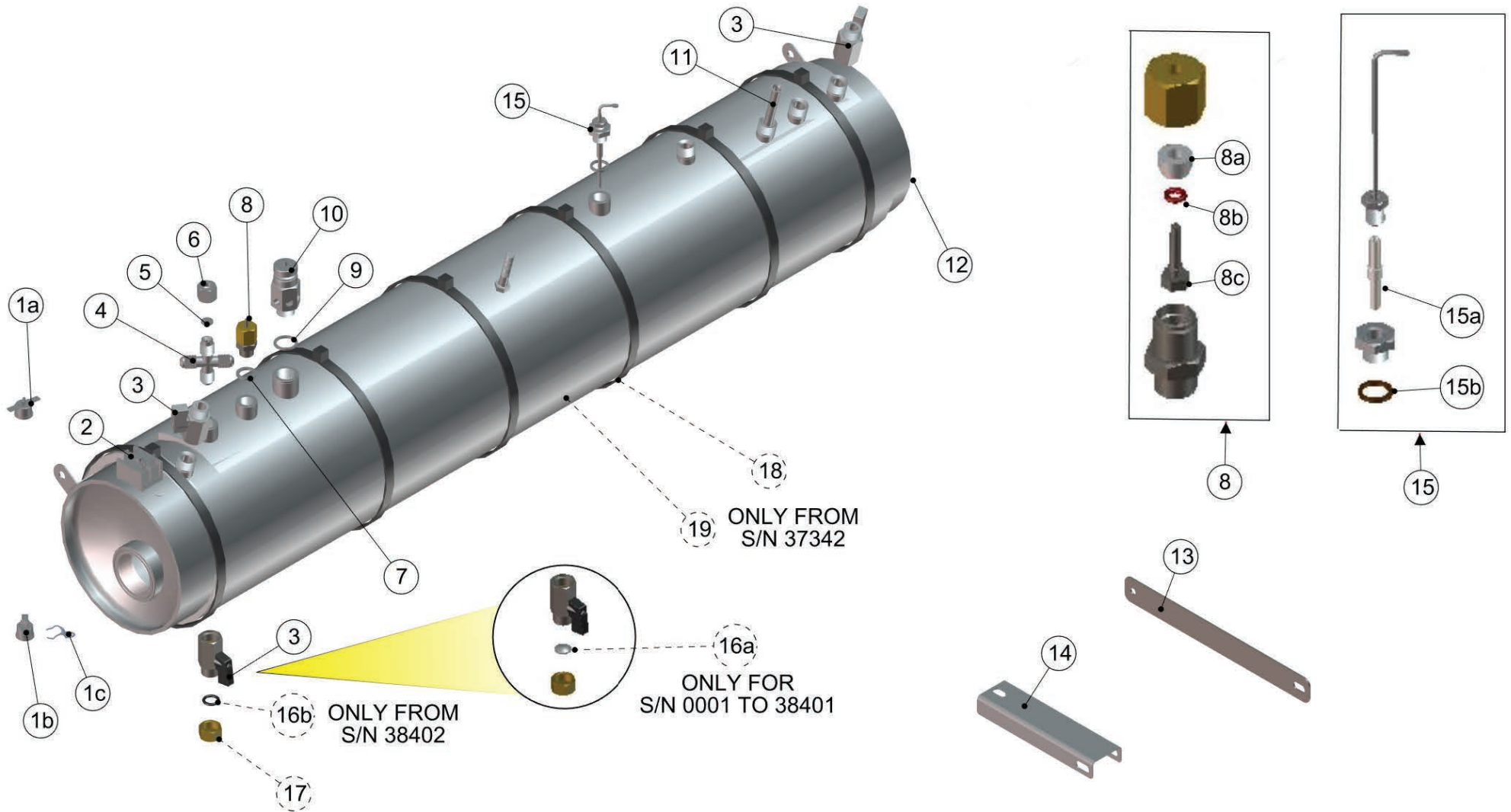
Caldaia Caffè

1	L030	G3/8" BRASS CAP NUT	DADO CIECO ES.19 FILETT.3/8
2a	L138/3.01	14 MM. BLIND FERRULE	GHIANDINA DM.14 CHIUSA
2b	H.1.004	O-RING 2-111 10,77X2,62 EPDM 85 SHA	OR3043 10.77X2.62 85SH
3	L164	M-F G3/8" BALL VALVE	RUBINETTO A SFERA 3/8 M-F
4	L260/1A	COPPER WASHER	RONDELLA RAME 21X27X1.5
5	A.2.007	PT1000 PROBE ADAPTOR	RIDUZIONE PER SONDA PT1000
6	L100/1A	COPPER WASHER 19X13,5X1,5	RONDELLA RAME 13.5X19X1.5
7	L530.01	TEMPERATURE PROBE	SONDA DI TEMPERATURA
8	TLG260	THERMOSTAT WELL	GUAINA TERMOSTATO X CALD.SAT.
9**	L260	THERMOSTATIC SWITCH	TERMOSTATO FENWALL +40 +150°C
10**	L260/P	PLAST.PROTECTOR FOR THERMOSTAT	PROTEZIONE X TERMOSTATO
11	A.5.016.01	PLASTIC FASTENER 750X7.5	FASCETTA NERA 750X7.5 NYLON
12	F.7.004	2GR COFFEE BOILER INSULATION	ISOLANTE PER C. SATURA GB5 2GR
	F.7.005	3GR COFFEE BOILER INSULATION	ISOLANTE PER C. SATURA GB5 3GR
13	L037/3.01	G1/4" NIPPLE FITTING	NIPPLO 1/4M. ES19 TRATT. TEA
14	L037/3R	BREAK-DRAIN FOR SOLENOID VALVE	ROMPIGETTO ES.19 MM.
15	L037/2PGR	HOSE HOLDER WITH 20 MM. HOLE	PORTAGOMMA DM.MM 20 ES.22
16	L037/D	LOCK NUT FOR HOSE HOLDER	DADO 1/2 GAS ESAGONO 23
17	L037	PLASTIC DRAIN BOX	POZZETTO SCARICO
18	L140_C	COMPLETE EXPANSION VALVE	VALVOLA ESPANSIONE COMPLETA
19	L146	G1/4" BRASS NUT	DADO 1/4GAS ES.19
Item	Part number/Codice	Description	Descrizione

* = Number of groups / Numero gruppi

** NO LONGER IN PRODUCTION, PLEASE CONTACT AFTER SALES DEPARTMENT FOR FURTHER INFORMATION.

STEAM BOILER ASSEMBLY





la marzocco

handmade in florence

STEAM BOILER ASSEMBLY

Caldaia Vapore

1a	L276	ULUNIPOLAR SAFETY THERMOSTAT	TERMOSTATO SICUREZZA C°130 UNI
1b	L276.01	KLIXON TRIP FREE 130° THERMOSTAT	TERMOSTATO KLIXON TRIP FREE TEMP 130°
1c	L276.01S	L276.01 BRACKET	STAFFA SINGOLA A CLIP X L276.01
2	L276/B	BIPOLAR SAFETY THERMOSTAT	TERMOSTATO SICUREZZA C°130 BIP
3	L164	M-F G3/8" BALL VALVE	RUBINETTO A SFERA 3/8 M-F
4	L129	G1/4" CROSS FITTING	RACCORDO CROCE 1/4GAS
5	L137/4	11 MM. BLIND FERRULE	GHIANDINA DM.11 CHIUSA
6	L130/2	G1/4"F NUT - 6MM HOLE	RACCORDO F.1/4 ES.16
7	L100/1A	COPPER WASHER 19X13,5X1,5	RONDELLA RAME 13.5X19X1.5
8	L190	VACUUM BREAKER VALVE	VALVOLA DECOMPRESSIONE 1/4GAS
8a	B.3.001	PTFE ANTI-SUCTION VALVE SEAL	PASTIGLIA TEFLON X VALV. ANTI
8b	F.2.019	O-RING 102 SILICON 70 SHA	OR-102 SILICONE 70SHA VALV ANTIRISUCCHIO
8c	B.2.013	ANTI-SUCTION VALVE SHAFT	ASTA X VALV ANTIRISUCCHIO
9	L180/1	COPPER WASHER 22X17X1,5	RONDELLA RAME 17X22X1.5
10	B.2.024	SAFETY VALVE G3/8" 1,8 BAR	VALVOLA DI SICUREZZA 3/8" BAR 1.8
11	TL07/G	HOT WATER SUCTION PIPE	TUBO PESCAGG.ACQUA C.V.GRANDE
12	L154/1VG	1GR STEAM BOILER	CALDAIA VAPORE 1GR
	L.1.004.2	2GR STEAM BOILER	CALDAIA VAPORE 2GR
	L154/3VG	3GR STEAM BOILER	CALDAIA VAPORE 3GR
	L.1.004.4	4GR STEAM BOILER	CALDAIA VAPORE 4GR
13	CL10L	BRACKET 23.5MM	STAFFA MOBILE LUNGHEZZA 23.5
14	CL10/4	UPPER ADJUSTABLE FITTING 4 GRP	STAFFA MOBILE X 4 GR.
15	LA052	WATER LEVEL PROBE	SONDA LIVELLO TL10/B 140MM.
15a	LA052/1	TEFLON INSULATOR PROBE	ISOLATORE IN TEFLON X SONDA
15b	LA052/A	AUTOFILL PROBE GASKET	GUARNIZIONE SONDA LIVELLO
Item	Part number/Codice	Description	Descrizione

* = Number of groups / Numero gruppi



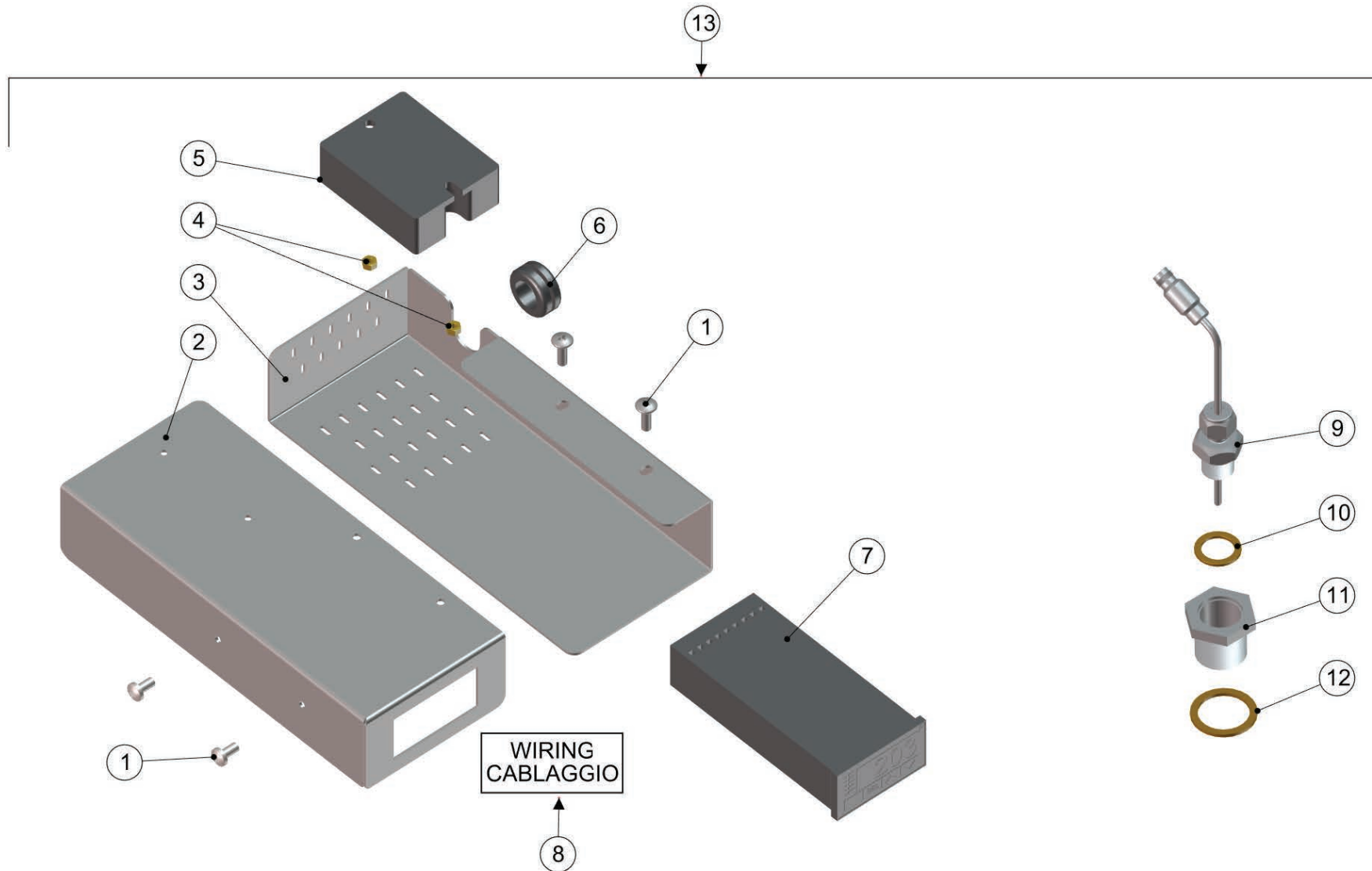
la marzocco

handmade in florence

STEAM BOILER ASSEMBLY

Caldaia Vapore	16a	L138/3.01	14 MM. BLIND FERRULE	GHIANDINA DM.14 CHIUSA
	16b	H.1.004	O-RING 2-111 10,77X2,62 EPDM 85 SHA	OR3043 10.77X2.62 85SH
	17	L030	G3/8" BRASS CAP NUT	DADO CIECO ES.19 FILETT.3/8
	18	A.5.016.01	PLASTIC FASTENER 750X7.5	FASCETTA NERA 750X7.5 NYLON
	19	F.7.006	INSULATION FOR BOILER LINEA 2GR	ISOLANTE PER C. VAPORE LINEA 2GR
		F.7.007	INSULATION FOR BOILER LINEA 3 GR	ISOLANTE PER C. VAPORE LINEA 3GR
		F.7.008	INSULATION FOR STEAM BOILER FOR LINEA E	ISOLANTE PER C.V. LINEA E GB5 4GR
Item	Part number/Codice	Description	Descrizione	
* = Number of groups / Numero gruppi				

PID KIT ASSEMBLY





la marzocco

handmade in florence

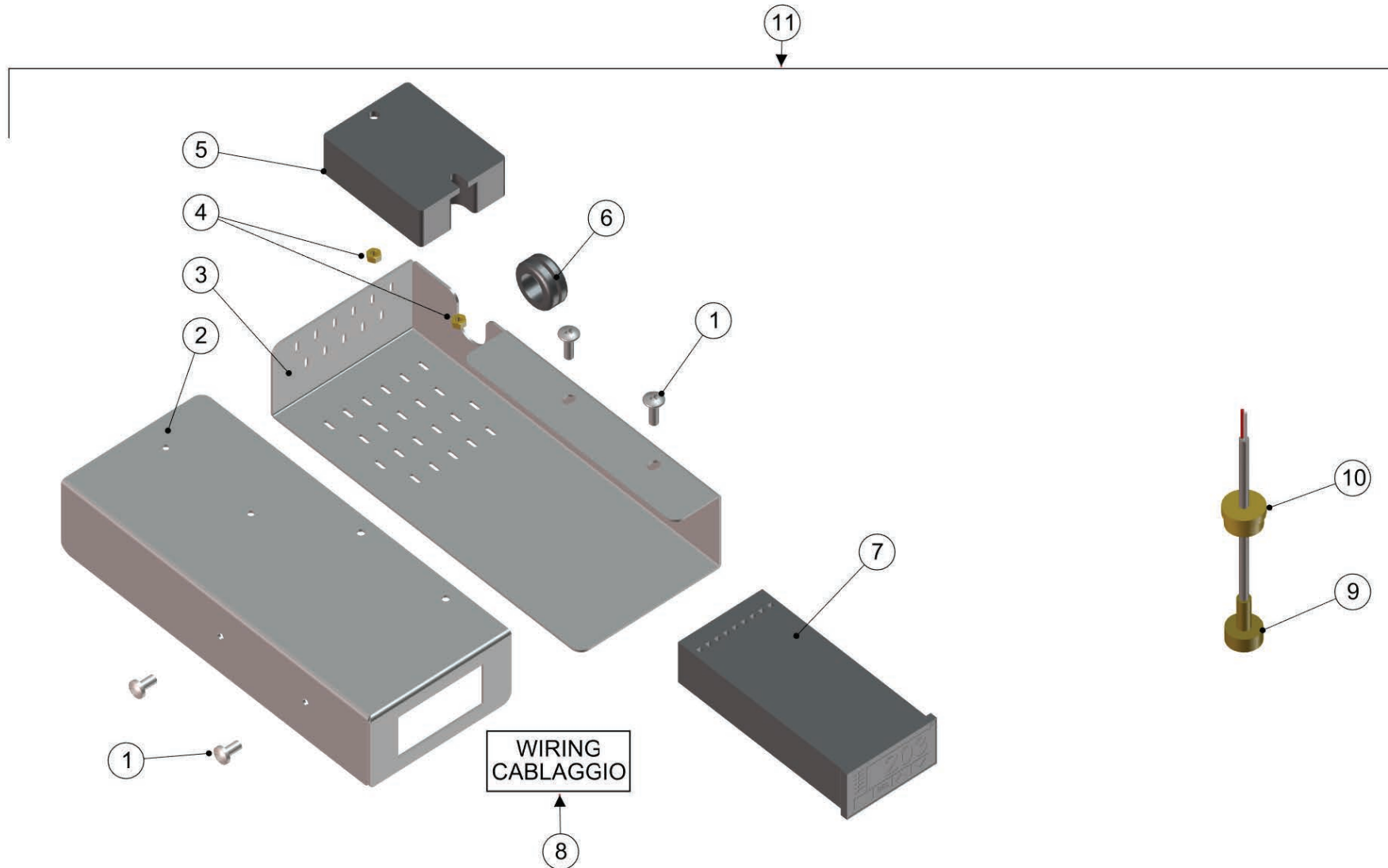
PID KIT ASSEMBLY

Kit Pid Completo

1	CL22/V	M4X12 S/S BUTTON PHILLIPS HEAD SCREW	VITE INOX M4X12 T9 H2.5 TBB TCR A2-70
2	CL40/SX.01	LEFT BRACKET FOR PID KIT	STAFFA SX PER PID
	CL40/DX.01	RIGHT BRACKET FOR PID KIT	STAFFA DX PER PID
3	C.1.133.SX	LEFT SIDE PID COVER	COPERTURA PID SX
	C.1.133.DX	RIGHT SIDE PID COVER	COPERTURA PID DX
4	DADO3M	M3 BRASS NUT UNI 5588	DADO M3 OTTONE UNI 5588
5	E.4.010.01	SOLID STATE RELAY 25A 240V	RELE' STATO SOLIDO 25A 240V
	E.4.035	SOLID STATE RELAY 25A 480V	RELE' STATO SOLIDO 25A 480V
6	E.2.018	GROMMET FOR WATER INLET TUBE	GUARNIZIONE 13X17X10MM TUBO INGRESSO ACQ
7	E.1.011	PID CONTROLLER FUJI	CONTROLLER FUJI PER PID
8	E.4.012	WIRING FOR PID KIT	CABLAGGIO PER KIT PID
9	L530.01	TEMPERATURE PROBE	SONDA DI TEMPERATURA COMPLETA
10	L100/1A	COPPER WASHER 19X13,5X1,5	RONDELLA RAME 13.5X19X1.5
11	A.2.007	PT1000 PROBE ADAPTOR	RIDUZIONE PER Sonda PT1000
12	L260/1A	COPPER WASHER 26x21x2,5	RONDELLA RAME 26X21X2,5
13	950/SX	PID KIT FOR LINEA/FB70 LEFT SIDE	KIT PID PER LINEA/FB70 LATO SINISTRO
	950/SX380	PID KIT FOR LINEA/FB70 LEFT SIDE 380V	KIT PID PER LINEA/FB70 LATO SINISTRO 380V
	950/DX	PID KIT FOR LINEA/FB70 RIGHT SIDE	KIT PID PER LINEA/FB70 LATO DESTRO
	950/DX380	PID KIT FOR LINEA/FB70 RIGHT SIDE 380V	KIT PID PER LINEA/FB70 LATO DESTRO 380V
Item	Part number/Codice	Description	Descrizione

* = Number of groups / Numero gruppi

PID KIT ASSEMBLY





la marzocco

handmade in florence

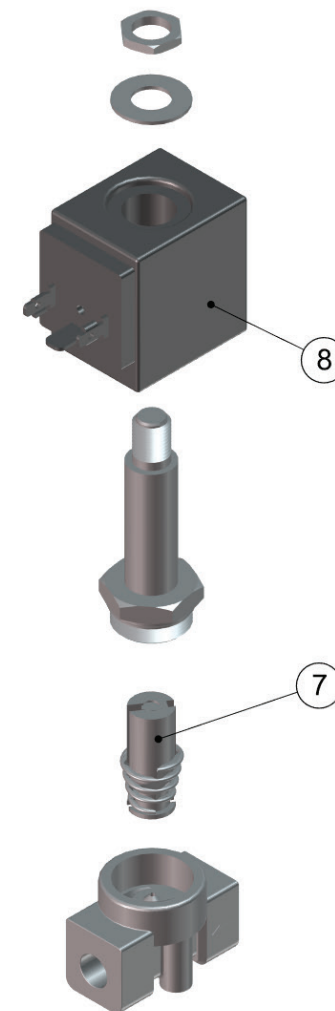
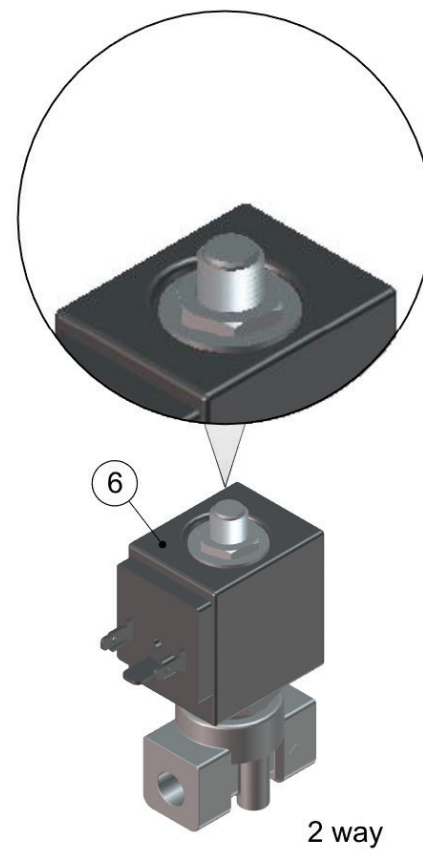
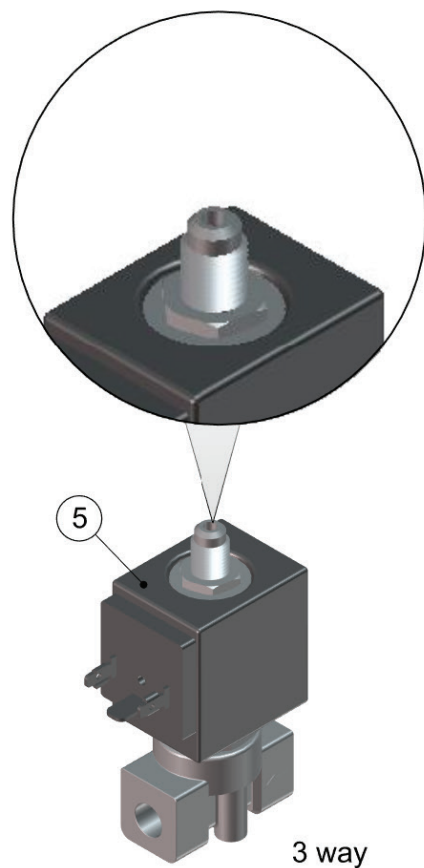
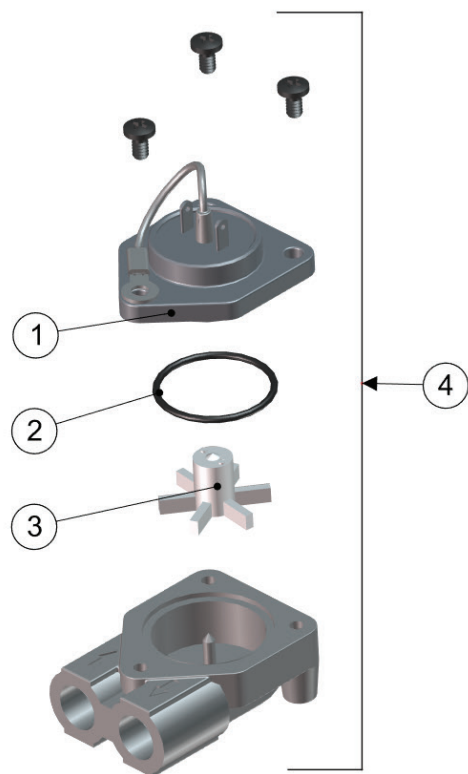
PID KIT ASSEMBLY

Kit Pid Completo

1	CL22/V	M4X12 S/S BUTTON PHILLIPS HEAD SCREW	VITE INOX M4X12 T9 H2.5 TBB TCR A2-70
2	CL40/SX.01	LEFT BRACKET FOR PID KIT	STAFFA SX PER PID
	CL40/DX.01	RIGHT BRACKET FOR PID KIT	STAFFA DX PER PID
3	C.1.133.SX	LEFT SIDE PID COVER	COPERTURA PID SX
	C.1.133.DX	RIGHT SIDE PID COVER	COPERTURA PID DX
4	DADO3M	M3 BRASS NUT UNI 5588	DADO M3 OTTONE UNI 5588
5	E.4.010.01	SOLID STATE RELAY 25A 240V	RELE' STATO SOLIDO 25A 240V
	E.4.035	SOLID STATE RELAY 25A 480V	RELE' STATO SOLIDO 25A 480V
6	E.2.018	GROMMET FOR WATER INLET TUBE	GUARNIZIONE 13X17X10MM TUBO INGRESSO ACQ
7	E.1.011	PID CONTROLLER FUJI	CONTROLLER FUJI PER PID
8	E.4.012	WIRING FOR PID KIT	CABLAGGIO PER KIT PID
9	E.2.042	ELECTRONIC TEMPERATURE PROBE TCJ WITH BR	SONDA TCJ CON ESTENSIONE IN OTTONE X RIC
10	A.1.026	TCJ PROBE SUPPOR	SUPPORTO SONDA TCJ
11	951/SX	LEFT LINEA PID KIT 220 W/ALT.VE PROBE	KIT PID SX LINEA CON SONDA ALTERNATIVA
	951/SX380	LEFT LINEA PID KIT 380 W/ALT.VE PROBE	KIT PID380 SX LINEA W/ SONDA ALTERNATIVA
	951/DX	RIGHT LINEA PID KIT 220 W/ALT.VE PROBE	KIT PID DX LINEA CON SONDA ALTERNATIVA
	951/DX380	RIGHT LINEA PID KIT 380 W/ALT.VE PROBE	KIT PID380 DX LINEA W/ SONDA ALTERNATIVA
Item	Part number/Codice	Description	Descrizione

* = Number of groups / Numero gruppi

FITTINGS AND VALVES





la marzocco

handmade in florence

FITTINGS AND VALVES

Raccordi e Valvole

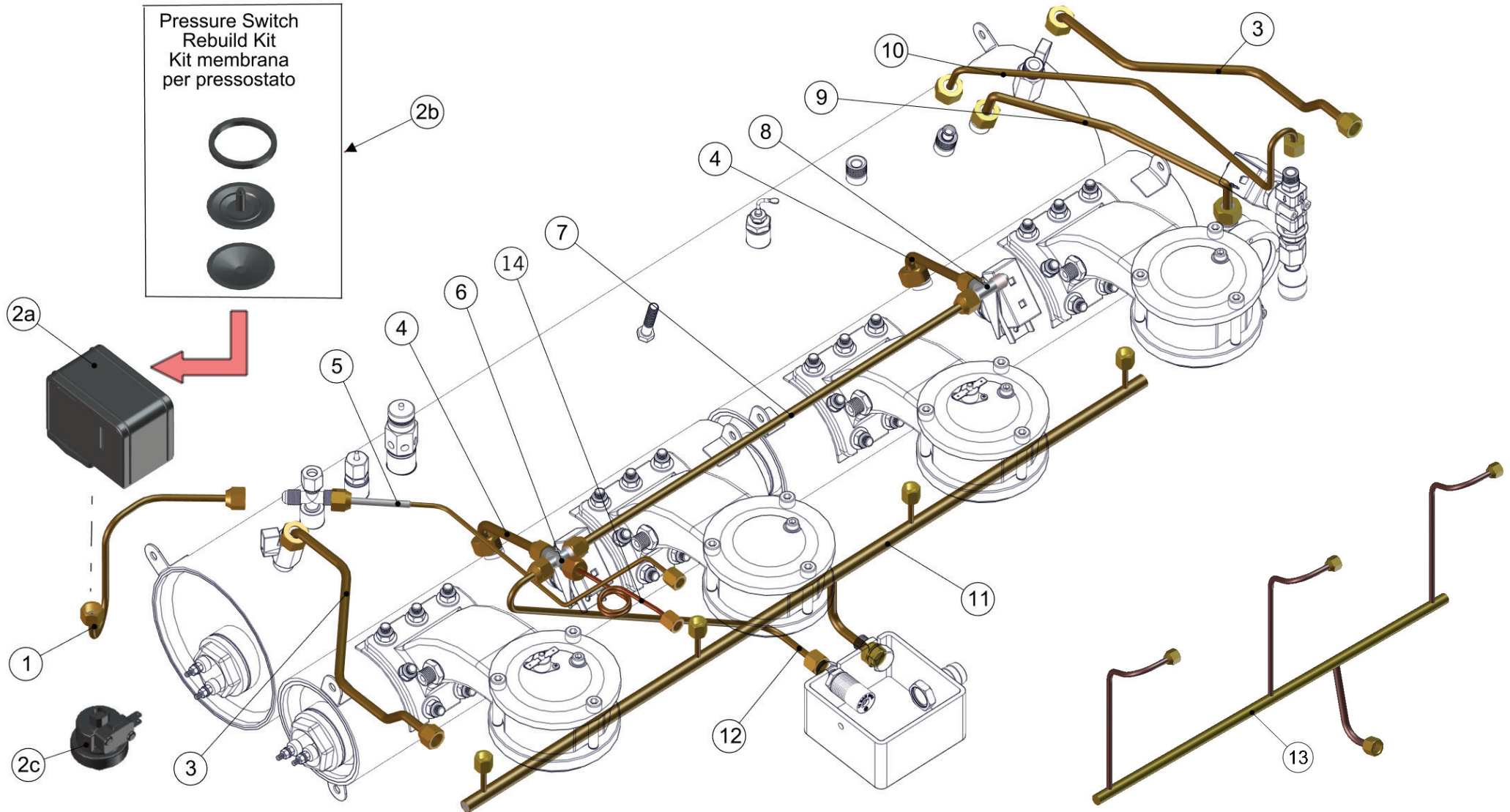
1	LAD070/S	FLOW METER FIELD SENSOR	TESTA X CONTATORE VOLUMETRICO
2	LAD070/S1	FLOW METER O-RING	GUARN.OR 8-2112 V.X CONT.VOL.
3	LAD070/V	FLOW METER IMPELLER	GIRANTE X CONTATORE VOLUMET.
4	LAD070	FLOW METER	CONTATORE VOLUMETRICO UL/NSF
5	L100/E.01	3 WAY SOLENOID VALVE BDV 220/240AC 50-6	ELETTROVALVOLA 3 VIE CON BOBINA
	L100/E200	3 WAY SOLENOID VALVE 200V	ELETTROVALVOLE 3 VIE
6	L053.01	2-WAY SOLENOID VALVE 220/240V - 50/60HZ	ELETTROVALVOLA 2 VIE
	L053/200	2WAY SOLENOID VALVE 200VOLTS	ELETTROVALVOLE 2 VIE
7	L100/H	3-WAY SOLENOID VALVE PLUNGER	NUCLEO MOBILE X EV.3 VIE
8	L100/G.01	BOBINA PER EV 220-240 C/APPROVAZIONI	BOBINA PER EV 220-240 C/APPROVAZIONI
	L100/G200	SOLENOID COIL 200V	BOBINA PER ELETTROVALVOLA 200V
Item	Part number/Codice	Description	Descrizione
* = Number of groups / Numero gruppi			



la marzocco

handmade in florence

HYDRAULIC ASSEMBLY





la marzocco

handmade in florence

HYDRAULIC ASSEMBLY

Impianto Idraulico

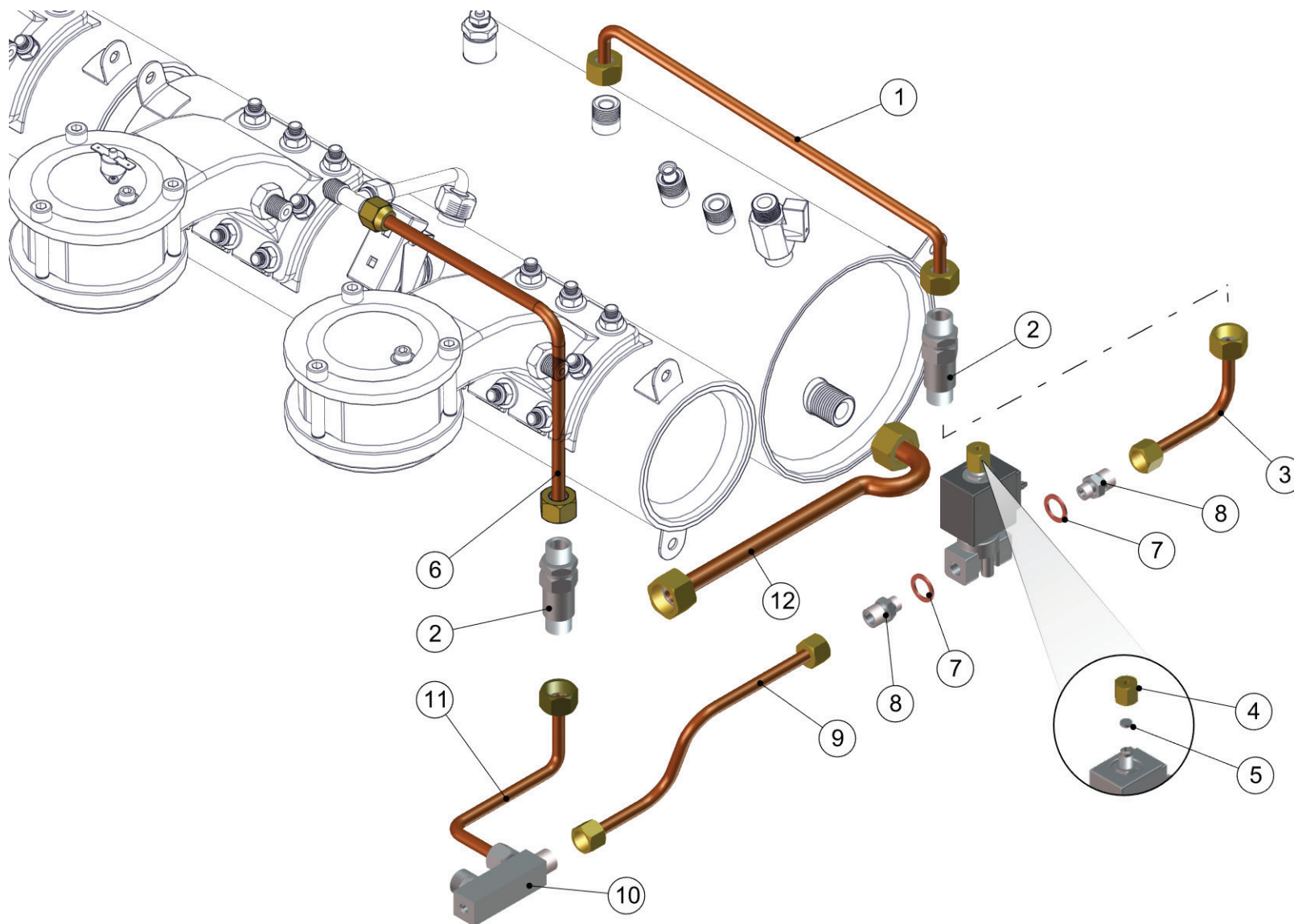
1	TL09	S.B.- MANOSTAT TUBE	TUBO PRESSOSTATO-CALD.VAPORE
2a	L270	PRESSURESTAT (UL CERT)	PRESSOSTATO P302/6 0.5-1.4
2b	L270/1	PRESSURESTAT MEMBRANE KIT	KIT MEMBRANA X PRESSOSTATO
2c	L271	PRESSURESTAT	PRESSOSTATO
3	TL13	TUBE STEAM BOILER-STEAM VALVE	TUBO CAL. VAP.-RUBINETTO VAP.
4	TL06	CROSS FITTING TO BREW BOILER TUBE	TUBO CROCERA-CALDAIA SATURA
5	TL10	S.B. CROSS FITTING-PRESSURE GAUGE TUBE	TUBO MANOMETRO-CALDAIA VAPORE
6	L129	G1/4" CROSS FITTING	RACCORDO CROCE 1/4GAS NICH.
7	TL05/3	TEE FITTING-CROSS FITTING 3GR TUBE	TUBO COLLEGAMENTO CROCERE 3GR.
	TL05/4	TEE FITTING-CROSS FITTING 4GR TUBE	TUBO COLLEGAMENTO CROCERE 4GR.
8	L128	G1/4" TEE FITTING	RACCORDO A TEE 1/4GAS
9	TL01	S.B.-SIGHT GLASS UPPER TUBE	TUBO LIVELLO SUPERIORE
10	TL08/234	S.B.- HOT WATER S.V. TUBE	TUBO CAL.VAP.-E.V.ACQUA CALDA
11	TL28/*	* GRP SOLENOID DRAIN	TUBO SCARICO ELETTROVALV.* GR.
	TL28/* B	* GRP SOLENOID DRAIN TUBE	TUBO SCARICO ELETTROVALV. *GR.
12	TL06/A	TUBE FROM EXPANSION VALVE	TUBO CROCERA-VALV.ESPANSIONE
13	T.1.047.* /B	LINEA *GR LOW CUPS GROUP CAP DRAIN TUBE	TUBO SCARICO LINEA * GR BASE BASSA
14	TL11/234	PRESSURE GAUGE-COFFEE BOILER TUBE	TUBO MANOMETRO-C.SAT.2/3/4 GR.
Item	Part number/Codice	Description	Descrizione
* = Number of groups / Numero gruppi			



la marzocco

handmade in florence

HYDRAULIC ASSEMBLY





la marzocco

handmade in florence

HYDRAULIC ASSEMBLY

Impianto Idraulico

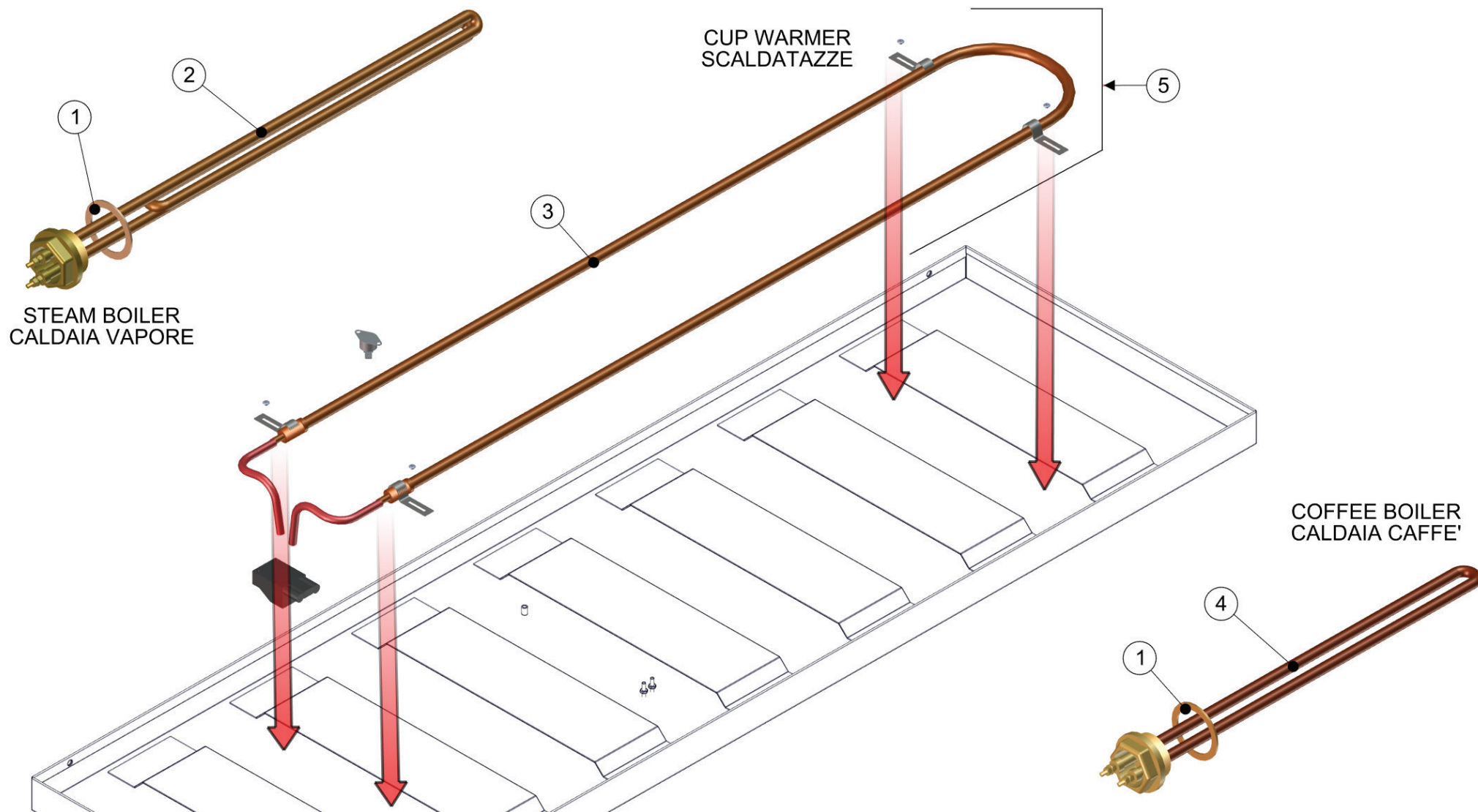
1	TL05/1	TUBE, CHECK VALVE TO STEAM BOILER, 1GR	TUBO VALVOLA RITEGNO-CALD. VAPORE 1GR
	TL05/234	CHECK VALVE-2/3/4GR S.B. TUBE	TUBO VAL.RIT.-CAL.VAP.2/3/4GR.
2	L032/P.01	CHECK VALVE	VALVOLA RITEGNO NICHELATA NSF
3	TL03/A	TUBE FROM WATER LEVEL SOLENOID	TUBO E.V.-VAL.RIT.CALDAIA VAP.
4	L134	G1/8" F NUT - 4,5MM HOLE	RACCORDO F.1/8 ES.14 FORO 4.5
5	L134/4	8MM BLIND FERRULE	GHIANDINA DM.8 CHIUSA - NICK . AL
6	TL05/1S	TUBE FROM CHECK VALVE TO 1 GRP	TUBO VAL.RIT.-CROC.CAL.SAT.1GR
	TL05/234S	TUBE FROM CHECK VALVE TO 2/3/4	TUBO VAL.RIT.-CROC.CS.2/3/4GR.
7	L100/D	COPPER WASHER 14X10X1,5	RONDELLA RAME 10X14X1.5
8	L053/1	M G1/8" - M G1/4" FITTING	RACCORDO M.1/8-M.1/4 X EV.
9	TL03	STEAM BOILER WATER INLET TUBE	TUBO ENTRATA ACQUA-CALD.VAPORE
10	L025/C.01	WATER MANIFOLD	ANCORAGGIO COMPLETO
11	TL04	COFFEE BOLIER WATER INLET TUBE	TUBO ENTRATA ACQUA-CALD.SATURA
12	TL02	S.B.-SIGHT GLASS LOWER TUBE	TUBO LIVELLO INFERIORE
Item	Part number/Codice	Description	Descrizione
* = Number of groups / Numero gruppi			



la marzocco

handmade in florence

HEATING ELEMENTS





la marzocco

handmade in florence

HEATING ELEMENTS

Resistenze Elettriche	1 GROUPS / 1 GRUPPI			1	LR360	GASKET D55x42x2	GUARNIZIONE PIANA D55x42x2	
	STEAM BOILER	STANDARD	2	STEAM BOILER HEATING ELEMENTS			RESISTENZE PER CALDAIA VAPORE	
				LR340/200B.01	W1300, 200V cm.17 1-1/4" 1GR STEAM BOILER ELEMENT	RESIST. W1300, 200V cm.17 1-1/4" - CALDAIA VAP. 1GR		
	LR340/220B.01	W1300, 220V cm.17 1-1/4" 1GR STEAM BOILER ELEMENT	RESIST. W1300, 220V cm.17 1-1/4" - CALDAIA VAP. 1GR					
	COFFEE BOILER	STANDARD	4	COFFEE BOILER HEATING ELEMENTS			RESISTENZE PER CALDAIA CAFFE'	
				LR360/200	W1000, 200V cm.21 1-1/4" 1GR BREW BOILER ELEMENT	RESIST. W1000, 200V cm.21 1-1/4" - CALDAIA CAFFE' 1GR		
				LR360/220	W1000, 220V cm.21 1-1/4" 1GR BREW BOILER ELEMENT	RESIST. W1000, 220V cm.21 1-1/4" - CALDAIA CAFFE' 1GR		
	Item		Part number/Codice		Description		Descrizione	
	* = Number of groups / Numero gruppi							



la marzocco

handmade in florence

HEATING ELEMENTS

Resistenze Elettriche	2 GROUPS / 2 GRUPPI		1	LR360	GASKET D55x42x2	GUARNIZIONE PIANA D55x42x2
	STEAM BOILER	STANDARD		STEAM BOILER HEATING ELEMENTS		RESISTENZE PER CALDAIA VAPORE
				LR342/220B.01	W2000, 220V cm.29 1-1/4" 2GR STEAM BOILER ELEMENT	RESIST. W2000, 220V cm.29 1-1/4" - CALDAIA VAP. 2GR
				LR350/380B	W2000, 380V cm.29 1-1/4" 2GR STEAM BOILER ELEMENT	RESIST. W2000, 380V cm.29 1-1/4" - CALDAIA VAP. 2GR
		HIGH	2	LR358/200B.01	W2000, 200V cm.29 1-1/4" 2GR STEAM BOILER ELEMENT	RESIST. W2000, 220V cm.65 1-1/4" - CALDAIA VAP. 2GR
				LR357/200B.01	W3000, 200V cm.39 1-1/4" 2GR STEAM BOILER ELEMENT	RESIST. W3000, 200V cm.39 1-1/4" - CALDAIA VAP. 2GR
				LR357/220B.01	W3000, 220V cm.39 1-1/4" 2GR STEAM BOILER ELEMENT	RESIST. W3000, 220V cm.39 1-1/4" - CALDAIA VAP. 2GR
	COFFEE BOILER	STANDARD		COFFEE BOILER HEATING ELEMENTS		RESISTENZE PER CALDAIA CAFFE'
			4	LR365/200.01	W1400, 200V cm.40 1-1/4" 2GR BREW BOILER ELEMENT	RESIST. W1400, 200V cm.40 1-1/4" - CALDAIA CAFFE' 2GR
				LR365/220.01	W1400, 220V cm.40 1-1/4" 2GR BREW BOILER ELEMENT	RESIST. W1400, 220V cm.40 1-1/4" - CALDAIA CAFFE' 2GR
CUPWARMER			CUPWARMER HEATING ELEMENTS		RESISTENZA SCALDATAZZE	
		3	LR370	2GR CUPWARMER HEATING ELEMENT 280W	RESISTENZA SCALDATAZZE 280W	
		5	9/370	2GR. CUPWARMER ASSEMBLY	SCALDATAZZE 2 GR. SENZA VASSOIO	
	Item	Part number/Codice	Description		Descrizione	
* = Number of groups / Numero gruppi						



la marzocco

handmade in florence

HEATING ELEMENTS

Resistenze Elettriche	3 GROUPS / 3 GRUPPI	STEAM BOILER	1	LR360	GASKET D55x42x2	GUARNIZIONE PIANA D55x42x2
				STEAM BOILER HEATING ELEMENTS		RESISTENZE PER CALDAIA VAPORE
				LR345/220B	W3000, 220V cm.50 1-1/4" 3GR STEAM BOILER ELEMENT	RESIST. W3000, 220V cm.50 1-1/4" - CALDAIA VAP. 3GR
			2	LR353/380B	W3000, 380V cm.50 1-1/4" 3/4GR STEAM BOILER ELEMENT	RESIST. W3000, 380V cm.50 1-1/4" - CALDAIA VAP. 3GR
				LR359/200B	W3000, 200V cm.50 1-1/4" 3GR STEAM BOILER ELEMENT	RESIST. W3000, 200V cm.50 1-1/4" - CALDAIA VAP. 3GR
				LR356/200B.01	W4000, 200V cm.50 1-1/4" 3GR STEAM BOILER ELEMENT	RESIST. W4000, 200V cm.50 1-1/4" - CALDAIA VAP. 3GR
				LR356/220B.01	W4000, 220V cm.50 1-1/4" 3GR STEAM BOILER ELEMENT	RESIST. W4000, 220V cm.50 1-1/4" - CALDAIA VAP. 3GR
		LR356/380B.01	W4000, 380V cm.50 1-1/4" 3GR STEAM BOILER ELEMENT	RESIST. W4000, 380V cm.50 1-1/4" - CALDAIA VAP. 3GR		
		COFFEE BOILER	4	COFFEE BOILER HEATING ELEMENTS		RESISTENZE PER CALDAIA CAFFE'
				LR362/220.02	W1600, 220V cm.65 1-1/4" 3GR BREW BOILER ELEMENT	RESIST. W1600, 220V cm.65 1-1/4" - CALDAIA CAFFE' 3GR
				LR364/380.02	W1600, 380V cm.65 1-1/4" 3GR BREW BOILER ELEMENT	RESIST. W1600, 380V cm.65 1-1/4" - CALDAIA CAFFE' 3GR
			HIGH	LR366/200.02	W1900, 200V cm.65 1-1/4" 3GR BREW BOILER ELEMENT	RESIST. W1900, 200V cm.65 1-1/4" - CALDAIA CAFFE' 3GR
				LR366/220.02	W1900, 220V cm.65 1-1/4" 3GR BREW BOILER ELEMENT	RESIST. W1900, 220V cm.65 1-1/4" - CALDAIA CAFFE' 3GR
				LR366/380.02	W1900, 380V cm.65 1-1/4" 3GR BREW BOILER ELEMENT	RESIST. W1900, 380V cm.65 1-1/4" - CALDAIA CAFFE' 3GR
		CUPWARMER	3	CUPWARMER HEATING ELEMENTS		RESISTENZA SCALDATAZZE
LR371	3GR CUPWARMER ELEMENT W.400			RESISTENZA SCALDATAZZE 400W		
5	9/371		3GR CUP-WARMER ASSEMBLY	SCALDATAZZE 3GR SENZA VASSOIO		
		Item	Part number/Codice	Description	Descrizione	
* = Number of groups / Numero gruppi						



la marzocco

handmade in florence

HEATING ELEMENTS

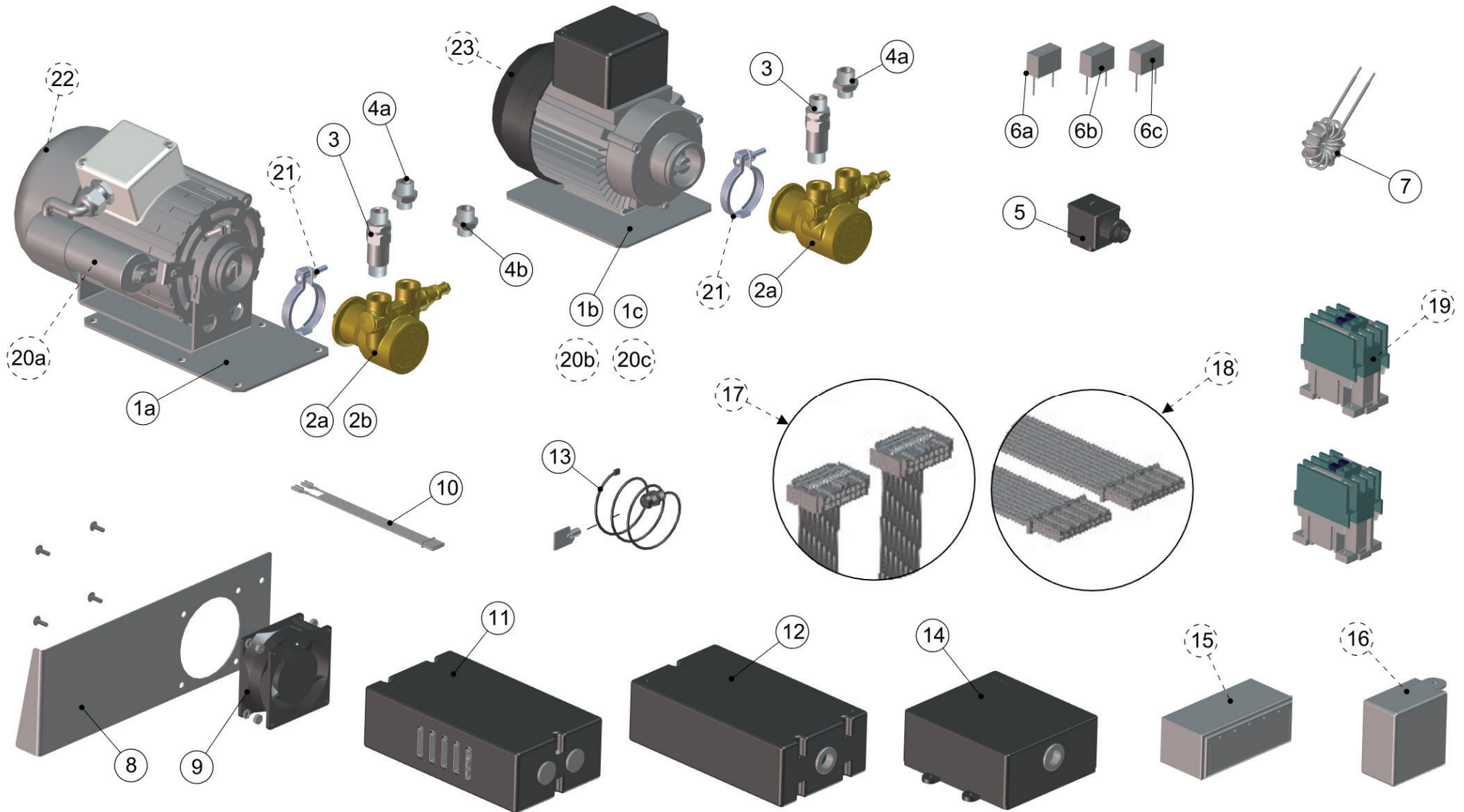
Resistenze Elettriche	4 GROUPS / 4 GRUPPI	STEAM BOILER	STANDARD	1	LR360	GASKET D55x42x2	GUARNIZIONE PIANA D55x42x2				
						STEAM BOILER HEATING ELEMENTS		RESISTENZE PER CALDAIA VAPORE			
					LR353/380B	W3000, 380V cm.50 1-1/4" 3/4GR STEAM BOILER ELEMENT	RESIST. W3000, 380V cm.50 1-1/4" - CALDAIA VAP. 3/4GR				
					LR346/220B	W3800, 220V cm.50 1-1/4" 4GR STEAM BOILER ELEMENT	RESIST. W3800, 220V cm.50 1-1/4" - CALDAIA VAP. 4GR				
				HIGH	2	LR355/200B	W5000, 200V cm.65 1-1/4" 4GR STEAM BOILER ELEMENT	RESIST. W5000, 200V cm.65 1-1/4" - CALDAIA VAP. 4GR			
						LR355/220B.01	W5000, 220V cm.65 1-1/4" 4GR STEAM BOILER ELEMENT	RESIST. W5000, 220V cm.65 1-1/4" - CALDAIA VAP. 4GR			
						LR355/380B.01	W5000, 380V cm.65 1-1/4" 4GR STEAM BOILER ELEMENT	RESIST. W5000, 380V cm.65 1-1/4" - CALDAIA VAP. 4GR			
				COFFEE BOILER	STANDARD			COFFEE BOILER HEATING ELEMENTS		RESISTENZE PER CALDAIA CAFFE'	
						4		LR365/200.01	W1400, 200V cm.40 1-1/4" 2GR BREW BOILER ELEMENT	RESIST. W1400, 200V cm.40 1-1/4" - CALDAIA CAFFE' 2GR	
								LR365/220.01	W1400, 220V cm.40 1-1/4" 2GR BREW BOILER ELEMENT	RESIST. W1400, 220V cm.40 1-1/4" - CALDAIA CAFFE' 2GR	
								LR365/380.01	W1400, 380V cm.40 1-1/4" 2GR BREW BOILER ELEMENT	RESIST. W1400, 380V cm.40 1-1/4" - CALDAIA CAFFE' 2GR	
				CUPWARMER			CUPWARMER HEATING ELEMENTS		RESISTENZA SCALDATAZZE		
					3		LR372	4GR CUPWARMER HEATING ELEMENT 600W	RESISTENZA SCALDATAZZE 600W		
						5	9/372	4GR CUPWARMER	SCALDATAZZE 4GR SENZA VASSOIO		
						Item	Part number/Codice	Description		Descrizione	
* = Number of groups / Numero gruppi											



la marzocco

handmade in florence

ELECTRICAL SYSTEM AND PUMP





la marzocco

handmade in florence

ELECTRICAL SYSTEM AND PUMP

Impianto Elettrico e Pompa

1a	L290/8UL	UL PUMP MOTOR V.220 50/60 HZ	MOTORE CARENATO CHIUSO
1b	L290/5	MOTOR RPM CE	MOTORE CARENATO CE V.220 HZ.50
1c	L290/7	MOTOR PUMP 200V 50/60HZ	MOTORE CARENATO V.200 HZ.50/60
2a	L290/1.01	PUMP 150 l/h	CORPO POMPANTE 150 LT/H
2b	L290/2.01	PUMP 200 l/h	CORPO POMPANTE 200 LT/H
3	L032/P.01	CHECK VALVE	VALVOLA DI RITEGNO
4a	L305/N.01	G3/8"M-G3/8"M NIPPLE FITTING	NIPPLO 3/8 M - 3/8 M
4b	L306/G.01	G3/8"-9/16" COMPRESSION FITTING	NIPPLO 3/8COMP-9/16"NSF
5	L200	CONNECTOR FOR SOLENOID VALVE	CONNETTORE ANTIDISTURBO X E.V.
6a	L201	ELECT.DISTURB.FILTER 470N+100R	FILTRO ANTIDISTURBO 470N+100R
6b	L202	ELECT.DISTURB.CONDENSER 470N	CONDENSATORE ANTIDISTURBO 470N
6c	E.2.030	2X22NF+0,1MICROF FILTER	FILTRO 2X22NF+0.1MICROF
7	L203	ELEC.DISTURB.TOROIDAL CORE	NUCLEO TOROIDALE ANTIDISTURBO
8	CL06	FAN BRACKET	STAFFA X VENTILATORE
9	L600	FAN	VENTILATORE
10	LAD072/THE	CM.80 TEA PROGRAM CABLE	CAVO X THE' CM.80
11	LAD070/4	4 GRP MASK BRAIN	DOSATURA 4 GR. MASK
	LAD070/3	3 GRP MASK BRAIN	DOSATURA 3 GR. MASK
12	LAD3D5/4	4 GRP 4D5 BRAIN	DOSATURA 4 GR. 4D5
	LAD3D5/4SC	4GR BRAIN BOX	SCATOLA X DOSATURA 4GR
13	LAD070/P	CM.70 PROGRAM CABLE WITH KEY	CAVO PROGRAMMA CM.70 C.CHIAVE
14	LAD3D5/3LC	2/3 GRP 3D5 BRAIN	DOSATURA 2 E 3GR. 3D5
	LAD3D5/23SC	2-3GRP BRAIN BOX	SCATOLA X DOSATURA 2-3GR
Item	Part number/Codice	Description	Descrizione
* = Number of groups / Numero gruppi			



la marzocco

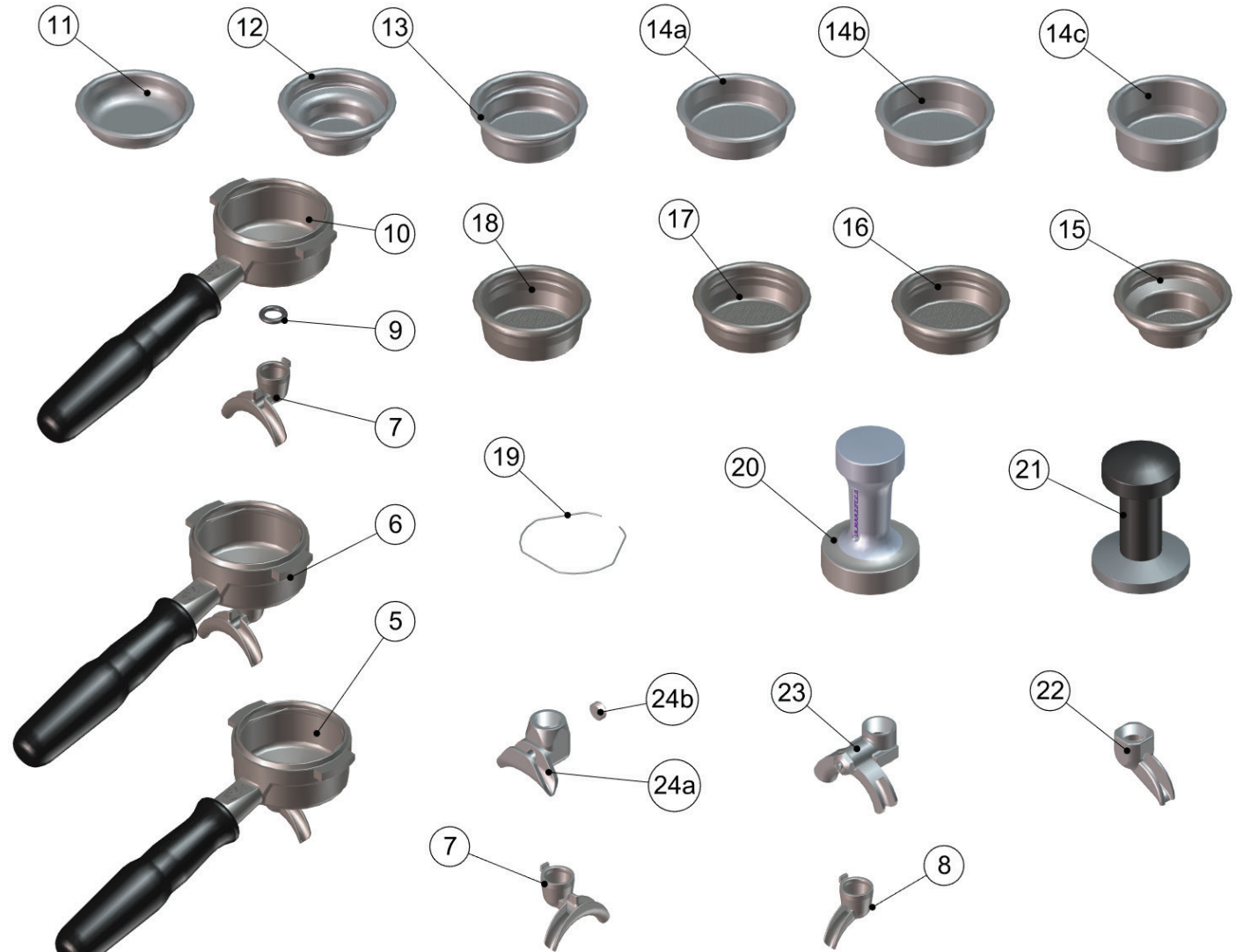
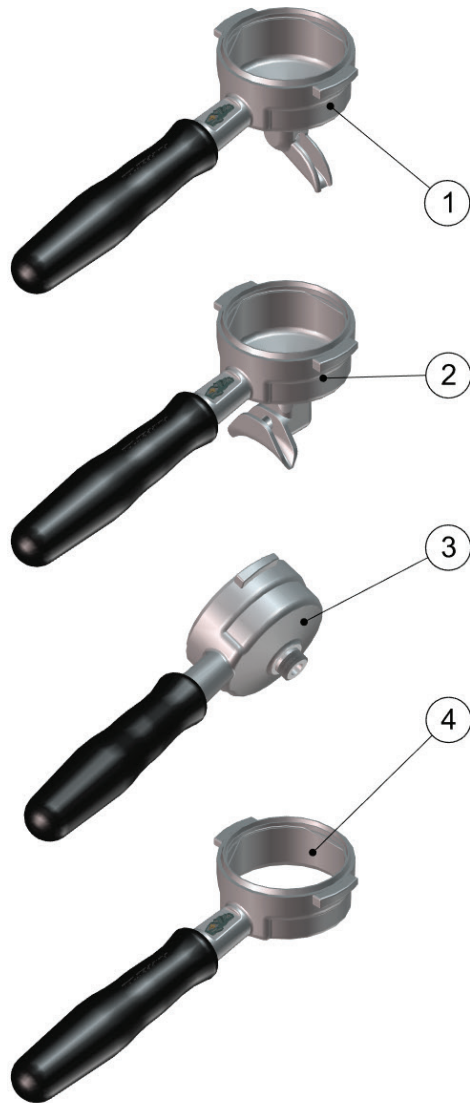
handmade in florence

ELECTRICAL SYSTEM AND PUMP

Impianto Elettrico e Pompa

15	LAD070/1	1 GRP BRAIN WITH BUTTON	DOSATURA 1 GR.TH SMT + RL
16	LA050	WATER LEVEL UNIT FOR EE	CENTRALINA AUTOLIVELLO RL30
17	LAD3D5/C01	CM.80 3D5 BUTTON BOX CABLE	CAVO PULSANTIERA 3D5 CM.80
	LAD3D5/C02	CM.110 3D5 BUTTON BOX CABLE	CAVO PULSANTIERA 3D5 CM.110
	LAD3D5/C03	CM.140 3D5 BUTTON BOX CABLE	CAVO PULSANTIERA 3D5 CM.140
	LAD3D5/C04	3D5 KEYPAD CABLE CM.80	CAVO PULSANTIERA 3D5 CM.80 CON ALETTA
18	LAD072/080	CM.80 MASK BUTTON BOX CABLE	CAVO PULSANTIERA MASK CM.80
	LAD072/110	CM.110 MASK BUTTON BOX CABLE	CAVO PULSANTIERA MASK CM.110
	LAD072/140	CM.140 MASK BUTTON BOX CABLE	CAVO PULSANTIERA MASK CM.140
	LAD072/170	CM.170 MASK BUTTON BOX CABLE (10 PIN)	CAVO PULSANTIERA MASK cm.170
19	L500	CONTACTOR 20A 50/60HZ	CONTATTORE LC1D18M7 220 V
	L503	CONTACTOR BF20 60HZ FOR 2/3GRP	CONTATTORE LC1D18L7 200 V
	L510	CONTACTOR 25A 220V 50/60HZ	CONTATTORE LC1D25M7 220V
	L511	CONTACTOR 25A 200V 50/60HZ	CONTATTORE LC1D25L7 200V
20a	L290/CUL	10MICROF CAPACITOR (L290/8UL MOTOR)	CONDENSATORE 10MF X MOTORE
20b	L290/5C	6,3MICROF CAPACITOR (L290/5 MOTOR)	CONDENSATORE 6.3MF X MOTORE
20c	L290/7C	8MICROF CAPACITOR (L290/7 MOTOR)	CONDENSATORE 8MF
21	L290/C	PUMP CLAMP	FASCETTA PER POMPANTE
22	F.6.004	PLASTIC FAN COVER - PUMP MOTOR	COPRIVENTOLA ZINCATO X MOTORE L290/8UL
23	L290/6	PLASTIC FAN COVER - PUMP MOTOR	COPRIVENTOLA PER MOTORE RPM
Item	Part number/Codice	Description	Descrizione
* = Number of groups / Numero gruppi			

PORTAFILTER ASSEMBLY





la marzocco

handmade in florence

PORTAFILTER ASSEMBLY

Portafiltri

1	L111/1	PORTAFILTER WITH 1 CUP SPOUT	PORTAFILTRO 1 TAZZA
2	L111/2N	PORTAFILTER WITH 2 CUP SPOUT	PORTAFILTRO 2 TAZZE FISSO
3	L111/LM12	PORTAFILTER	PORTAFILTRO CON LEONE COMPLETO
4	L111/X	NAKED PORTAFILTER	PORTAFILTRO NUDO
5	L111/1AC	STAINLESS STEEL PORTAFILTER -1 CUP SPOUT	PORTAFILTRO INOX UNA TAZZA
6	L111/2NAC	S/S PORTAFILTER WITH 2 CUP SPOUT	PORTAFILTRO INOX 2 TAZZE FISSO
7	A.5.014.01	S/S 2 CUP SPOUT	BECCUCCIO A 2 TAZZE AISI 304L
8	A.5.013.01	S/S 1 CUP SPOUT	BECCUCCIO A 1 TAZZA AISI 304 L
9	H.1.017.02	O-RING FOR PORTAFILTER (STANDARD PRODUCTION ORING)	O-RING PORTAFILTRO (VERSIONE STANDARD IN PRODUZIONE)
	H.1.017	BIGGER VERSION NOT AVAILABLE IN PRODUCTION, AVAILABLE ONLY SPARE PARTS	OR CON DIAMETRO MAGGIORE NON DISPONIBILE IN PRODUZIONE MA SOLO PER RICAMBI
10	L111/SS.R	STAINLESS STEEL PORTAFILTER WITH HANDLE	PORTAFILTRO INOX CON MANICO
11	L115/C	BLIND FILTER	FILTRO CIECO X LAVAGGIO
12	L115/A	FILTER 1 CUP	FILTRO A 1 TAZZA
13	L116/A	FILTER 2 CUPS	FILTRO A 2 TAZZE
	L116/A/S	S/D SWIFT 2 CUPS FILTER	FILTRO A 2 TAZZE PER SWIFT SINGOLO\DOPPI
	L115/A/S	SINGLE FILTER FOR SWIFT	FILTRO A 1 TAZZA PER SWIFT SINGOLO\DOPPI
14a	5.128	19MM SWIFT FILTER BASKET	FILTRO SWIFT 19MM
14b	5.127	22MM SWIFT FILTER BASKET	FILTRO SWIFT 22MM
14c	5.133	TRIPLE SWIFT FILTER BASKET	FILTRO SWIFT TRIPLO
15	F.3.029.01	7G S/S FILTER BASKET	FILTRO INOX 7G
16	F.3.028.01	14G S/S FILTER BASKET	FILTRO INOX 14G
17	F.3.027.01	17G S/S FILTER BASKET	FILTRO INOX 17G
18	F.3.026.01	21G S/S FILTER BASKET	FILTRO INOX 21G
19	L113	PORTAFILTER SPRING	MOLLETTA FERMAFILTRO
20	F.3.030	STAINLESS STEEL SINGLE-DOUBLE TAMPER	PRESSINO ACCIAIO SINGOLO-DOPPIO
21	F.3.031	STAINLESS STEEL DOUBLE TAMPER	PRESSINO ACCIAIO US VERSION
22	L115	SPOUT 1 CUP	BECCUCCIO A 1 TAZZA
23	L116/R	SPOUT 2 CUPS - ADJUSTABLE	BECCUCCIO A 2 TAZZE REGOLABILE
24a	L119	2 CUP SPOUT	BECCUCCIO A 2 TAZZE
24b	L119/V	SCREW FOR DOUBLE SPOUT	VITE PER BECCUCCIO A 2 TAZZE
Item	Part number/Codice	Description	Descrizione

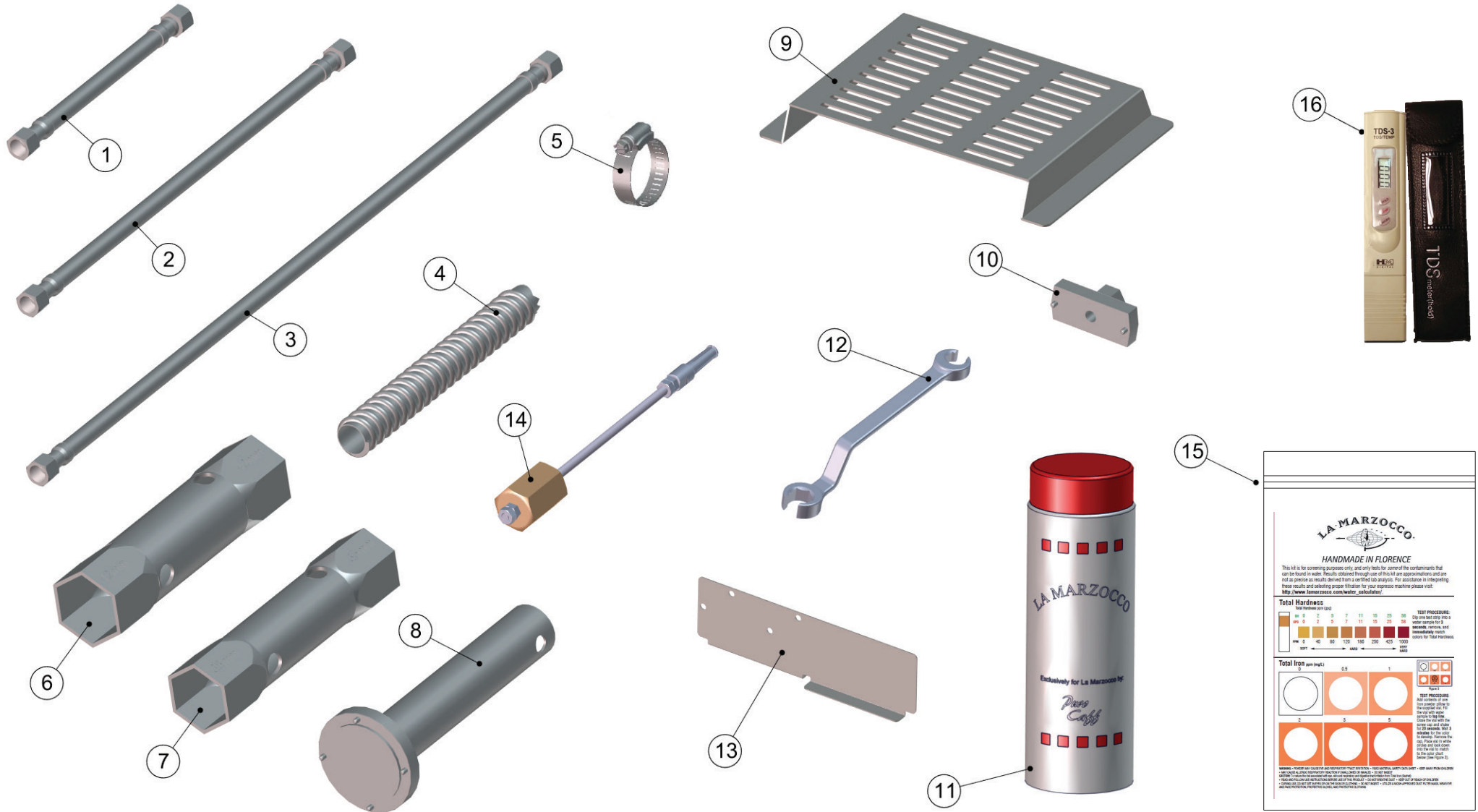
* = Number of groups / Numero gruppi



la marzocco

handmade in florence

HOSE AND ACCESSORIES





la marzocco

handmade in florence

HOSE AND ACCESSORIES

Tubi e Accessori

1	T.5.000	50CM S/S BRAIDED HOSE, G3/8	TUBO FLEX INOX APPRV.VDE G3/8F 50CM
	L306/050	50CM STAINLESS STEEL BRAIDED HOSE, 9/16" COMPRESSION	TUBO FLESSIBILE INOX 9/16"F 50CM NSF
2	T.5.001	120CM S/S BRAIDED HOSE G3/8	TUBO FLEX INOX APPRV.VDE G3/8F 120CM
	L306/120	120CM STAINLESS STEEL BRAIDED HOSE, 9/16" COMPRESSION	TUBO FLESSIBILE INOX 9/16"F 120CM NSF
3	T.5.002	210CM S/S BRAIDED HOSE G3/8	TUBO FLEX INOX APPRV.VDE G3/8F 210CM
	L306/210	210CM STAINLESS STEEL BRAIDED HOSE, 3/8" COMPRESSION	TUBO FLESSIBILE INOX 3/8"F 210CM NSF
	L306/210/C	210CM S/S BRAIDED HOSE, G3/8 NSF CURVED	TUBO FLEX INOX G3/8F 210CM NSF C/CURVA
4	L308	CLEAR ARMoured DRAIN HOSE	TUBO SPINGVIN ELASTIC 20mm
5	L312	HOSE CLAMP	FASCETTA SERRATUBO mm. 14/24
6	UT360/42	HEATING ELEMENT TOOL 40/42	CHIAVE RESISTENZA 40/42
7	UT360	HEATING ELEMENT TOOL 40/42	CHIAVE RESISTENZA 35/38
8	UT120	SIGHT GLASS TOOL	CHIAVE PER GHIERA LIVELLO
9	CL30	CUP STAND	RIALZO PER TAZZE
10	UT105	DIFFUSOR TOOL	CHIAVE PER SEDE DIFFUSORE
11	V067	LA MARZOCCO PURO CAFF POWDER	LA MARZOCCO PURO CAFF PRODOTTO PER PULIZIA
12	UT107	ASSEMBLY TOOL FOR TL29	CHIAVE MONTAGGIO TL29
13	UT006	JIG FOR PID KIT	DIMA MONTAGGIO PID
14	UT004	PADDLE ORING EXTRACTOR	ESTRATTORE O-RING PADDLE
15	F.9.000	MULTIPLE PARAMETER WATER TEST KIT	TEST KIT MULTI PARAMETRI PER ACQUA
16	F.9.003	TDS METER DIGITALE x10 PPM (0 - 9990ppm)	TDS METER DIGITALE x10 PPM (0 - 9990ppm)
Item	Part number/Codice	Description	Descrizione
* = Number of groups / Numero gruppi			



la marzocco

handmade in florence

LA MARZOCCO SRL
Via La Torre, 14/H
Localita' La Torre
50038 Scarperia e San Piero
(Florence) - ITALY
T. +39 055 849 191
F. +39 055 849 1990
info@lamarzocco.com
www.lamarzocco.com