

FEATURES

- 304 stainless steel construction
- 275lbs ice storage capacity (NIB-275)
- 375lbs ice storage capacity (NIB-375)
- Rounded interior corners for easy cleaning
- Recommended for NIM-350C (1) & NIM-500C (1)
- Strong polyethylene one piece liner to stand up to impacts from falling ice



NIB-275



NIB-375

WARRANTY

- 2 year warranty

Project: _____

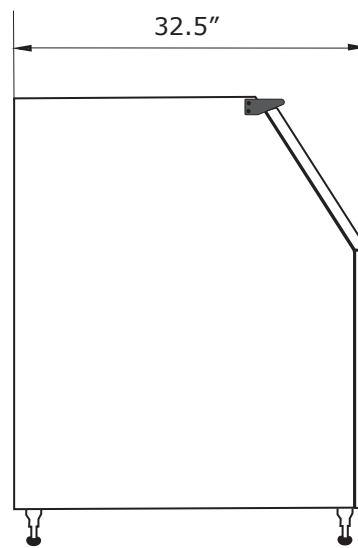
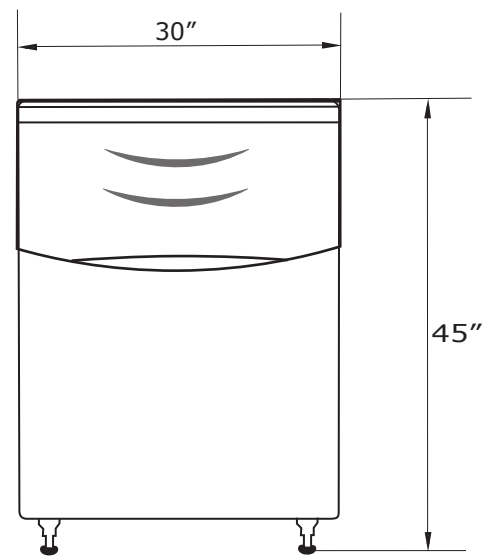
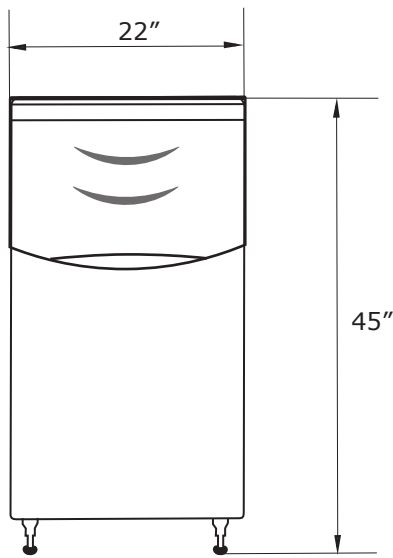
Date: _____

Price: _____

SPECIFICATIONS

NIM-275				
Overall Dimensions			Weight	
Width	Depth	Height	Net	Gross
22	32.5	45	200 LBS	N/A

NIM-375				
Overall Dimensions			Weight	
Width	Depth	Height	Net	Gross
30	32.5	45	250 LBS	N/A



CERTIFICATIONS:



NEMA 5-15P