



INSTALLATION INSTRUCTIONS FOR PART 95-7807

APPLICATIONS

Honda: Accord 2008-2012, Accord Crosstour 2010-2011, Crosstour 2012 *(equipped with factory navigation)* 95-7807, 95-7807T

KIT FEATURES

- Double DIN radio provision
- 95-7807 painted Dark Charcoal and 95-7807T painted Taupe

KIT COMPONENTS

- A) Radio housing trim panel • B) Brackets • C) (10) #8 x 1/2" Phillips screws

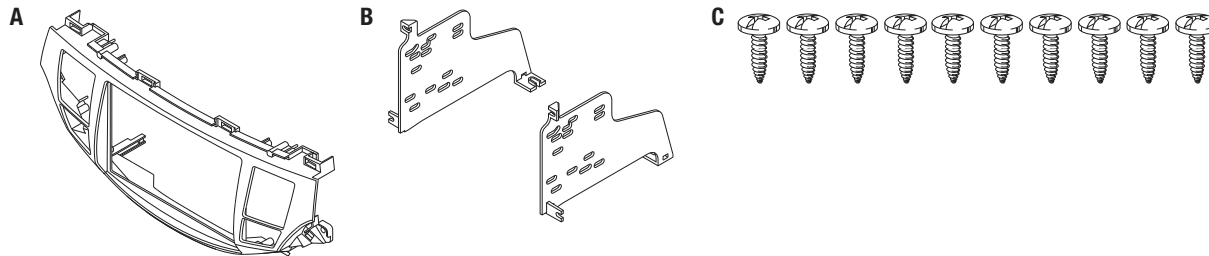


Table of Contents

Dash Disassembly

- Honda Accord 2008-2012, Accord Crosstour 2010-2011, Crosstour 2012 ..2-5

Kit Assembly

- Double DIN provision..... 6

WIRING & ANTENNA CONNECTIONS (sold separately)

- Wiring Harness: • 70-1730 premium sound harness
- Antenna Adapter: • 40-HD10

TOOLS REQUIRED

- Panel removal tool • Phillips screwdriver

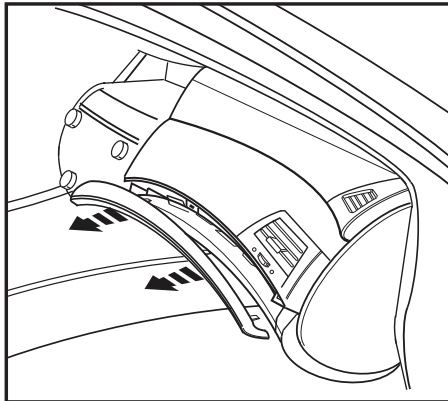
CAUTION: Metra recommends disconnecting the negative battery terminal before beginning any installation. All accessories, switches, and especially air bag indicator lights must be plugged in before reconnecting the battery or cycling the ignition.

NOTE: Refer to the instructions included with the aftermarket radio.

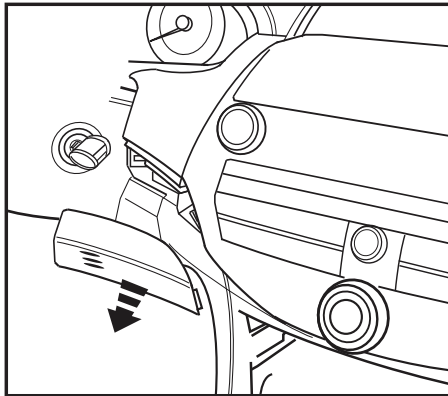
REV. 7/8/2014 INST99-7807

Dash Disassembly

1. Unclip and remove the trim panel from above the glove box at the right side of the factory radio. (Figure A)
2. Unclip and remove the trim panel at the left side of the factory radio. (Figure B)



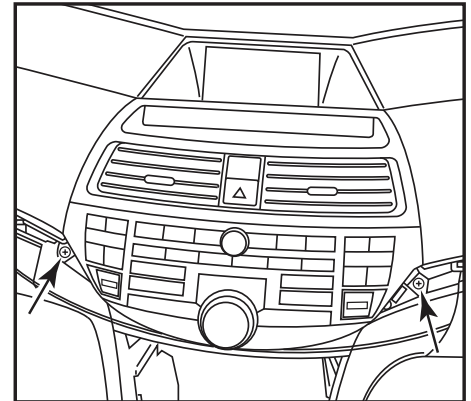
(Figure A)



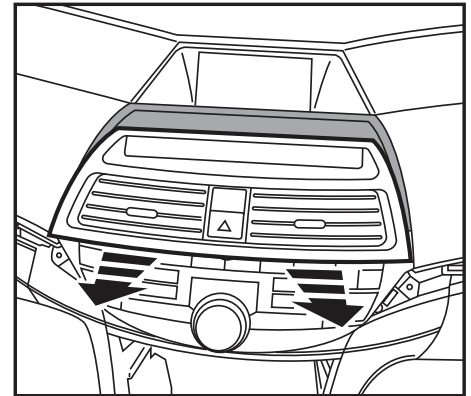
(Figure B)

3. Remove the (2) Phillips screws from the left and right side of the factory radio. (Figure C)
4. Unsnap and remove the factory air vents above radio. (Figure D)

Continued on next page



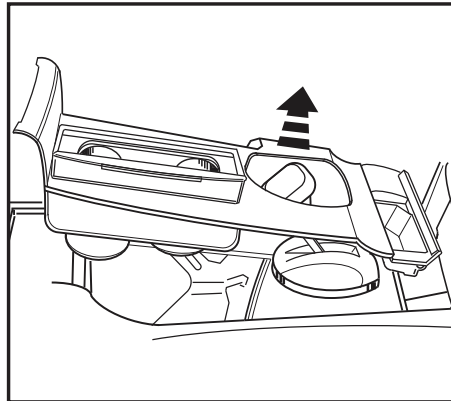
(Figure C)



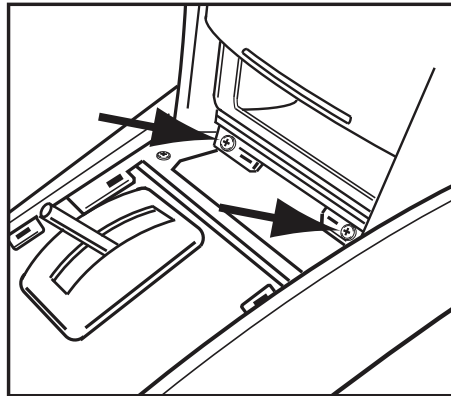
(Figure D)

Dash Disassembly

5. Unclip and remove the top of the center console including the cup holders. (Figure E)
6. Remove (2) Phillips screws at the bottom edge of the pocket assembly. (Figure F)



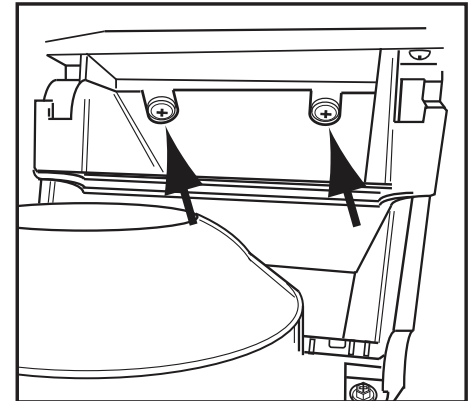
(Figure E)



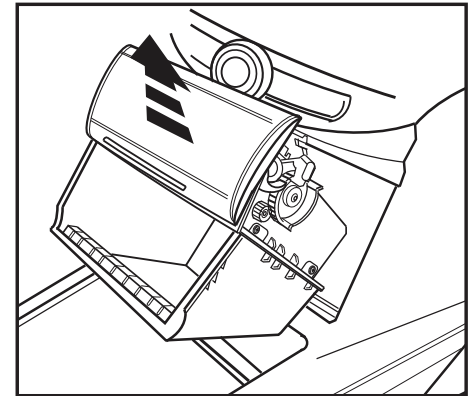
(Figure F)

7. Remove (2) Phillips screws facing up inside of the pocket below the factory radio. (Figure G)
8. Unclip and remove the pocket assembly. (Figure H)

Continued on next page



(Figure G)

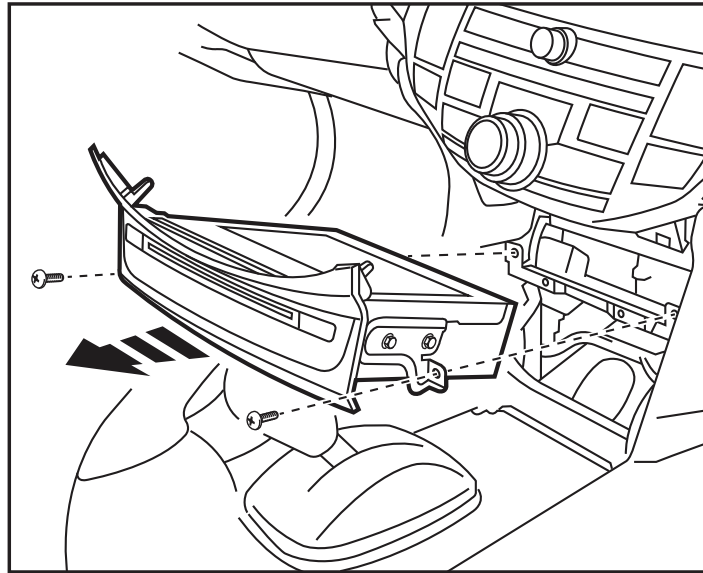


(Figure H)

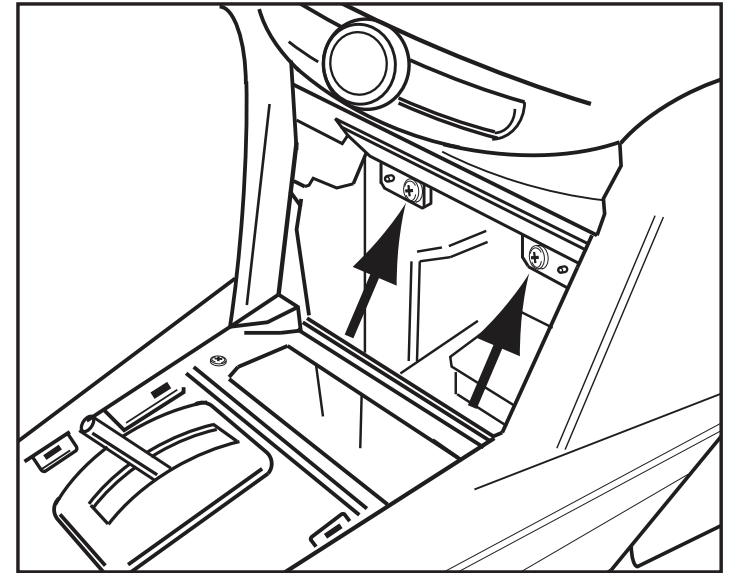
Dash Disassembly

9. Remove (2) screws holding NAV disc player in place and remove it. (Figure I)
10. Remove (2) screws facing up on the bottom of the factory radio. (Figure J)

Continued on next page



(Figure I)

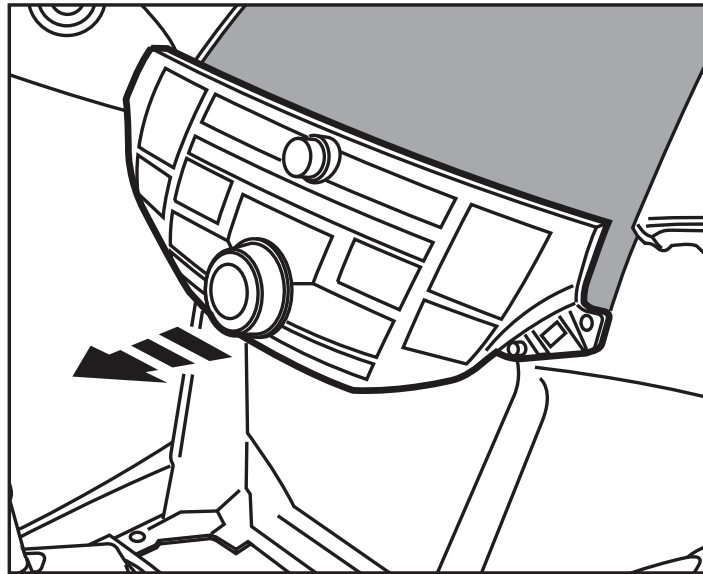


(Figure J)

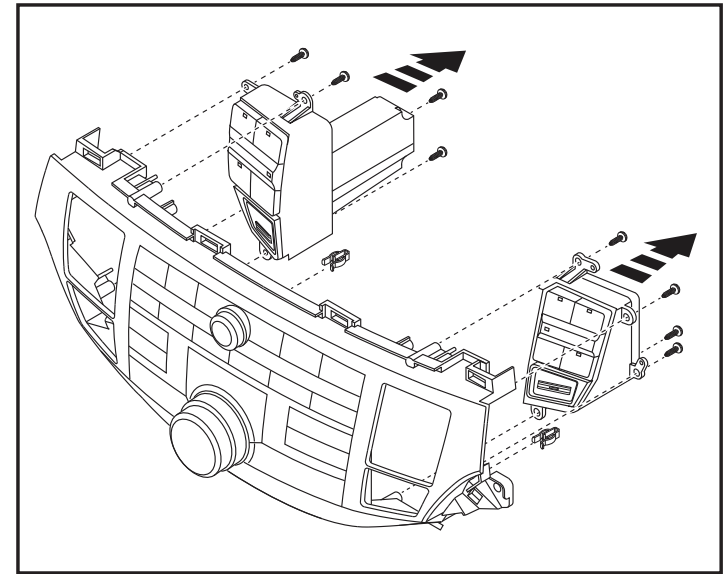
Dash Disassembly

11. Unclip and remove the factory radio/climate assembly. (Figure K)
12. Remove (4) screws each and remove the climate control switches from the factory radio assembly. (Figure L)
13. Remove the (2) factory panel clips on the factory radio and save for assembly. (Figure L)

Continue to kit assembly



(Figure K)

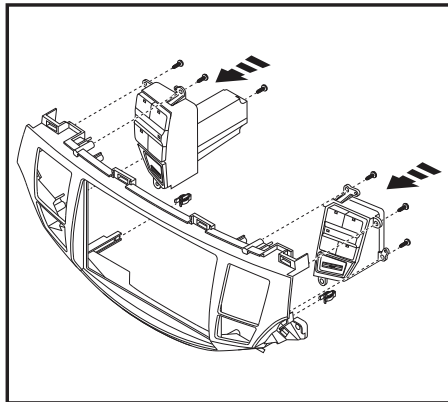


(Figure L)

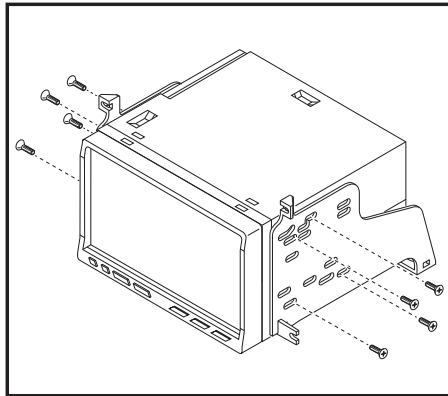
Kit Assembly

Double DIN radio provision

1. Mount the (2) factory clips to the radio housing. (Figure A)
2. Mount the climate switches to the radio housing using (6) of the #8 x 1/2" screws on the upper and outside mounts. Do not install the screws on the bottom mounts shared by the radio brackets until installing the radio/bracket assembly. (Figure A)
3. Mount the radio to the brackets with the screws supplied with the radio. (Figure B)

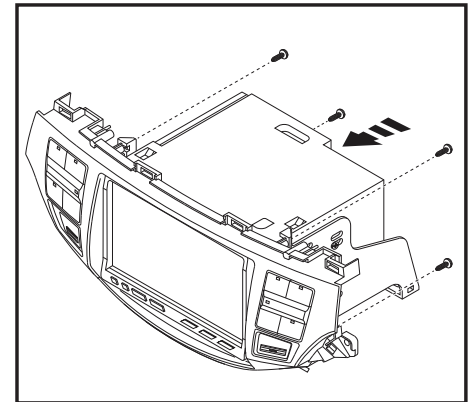


(Figure A)



(Figure B)

4. Mount the radio/bracket assembly to the radio housing with (4) of the supplied #8 x 1/2" screws. (Figure C)
5. Locate the factory wiring harness and antenna plug in the dash. Metra recommends using the proper mating adapters from Metra and AXXESS.
6. Mount the new radio assembly into the dash and reassemble dash in reverse order of disassembly.



(Figure C)



95-7807



INSTALLATION INSTRUCTIONS FOR PART 95-7807



REV. 7/8/2014 INST99-7807



KNOWLEDGE IS POWER

Enhance your installation and fabrication skills by enrolling in the most recognized and respected mobile electronics school in our industry. Log onto www.installerinstitute.com or call 800-354-6782 for more information and take steps toward a better tomorrow.



Metra recommends MECP certified technicians