

Cloud Bedside Table

／CLO110

Rolling curves and rounded edges complete the Cloud collection. Softened lines inspire a feminine feel.



zuster

Cloud Bedside Table

/CLO110

Materials —

Soft close drawers and marble top with shark rose edge to appear as if its floating. The drawer fronts are ribbed with recessed solid American Oak dowel. Each drawer is lined with American Oak and opens to full extension with concealed BLUM soft close drawer runners.

Customisable —

This item is hand crafted and made to order
Custom sizes are available

Finishes —

Available in all Zuster timber finishes
Available with timber or marble top
Please refer to website for marble options

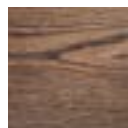
Designed and hand crafted at Zuster
HQ in Melbourne, Australia.



Limed Oak



American Oak



Hazelnut



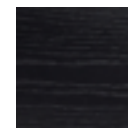
Coal



Slate



Saddle



Mink

zuster

Cloud Bedside Table

／CLO110

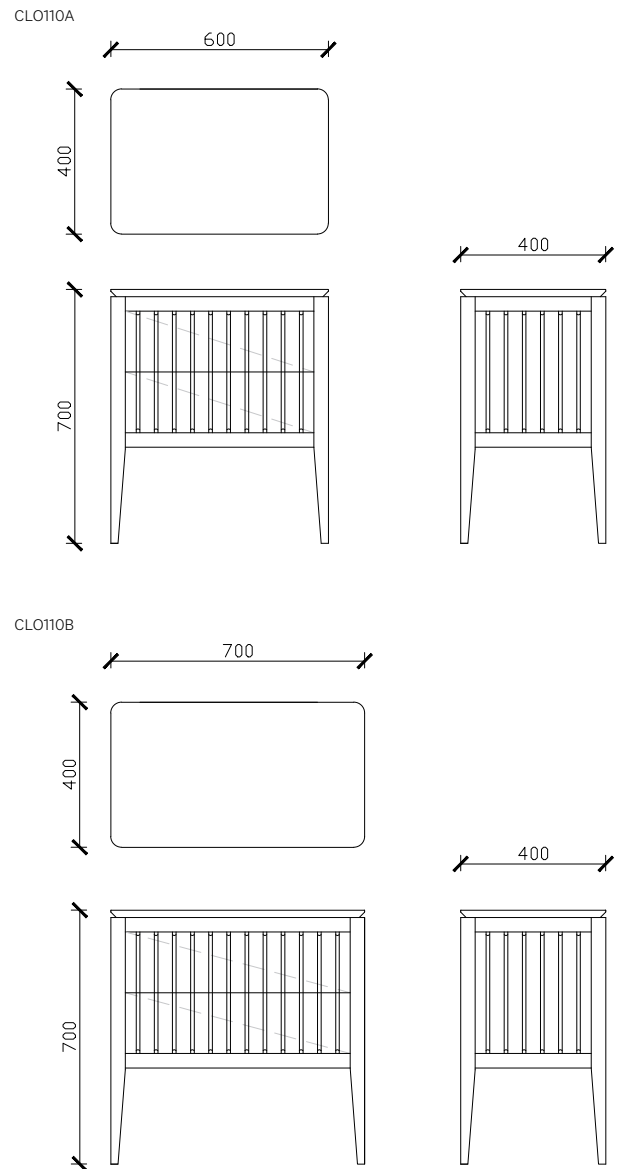
Standard Dimensions —

CLO110A

600 w x 400 d x 700 h (mm)

CLO110B

700 w x 400 d x 700 h (mm)



Sustainability

Our commitment

‘ Sustainability goes hand-in-hand with the integrity of our business and our beautiful, enduring products.’

Fleur Sibbel, Managing Director, Zuster.

Zuster is committed to designing pieces that are produced to the highest of environmental standards and built to last. In doing so we are compelled to respect our natural environment which is the very source of our beautiful and enduring designs.

As a company we endeavour to operate in the most innovative and efficient manner. Zuster’s recycling and waste management program sees us re-use and/or recycle 90% of our waste products. In 2020 Zuster has actively reduced our overall energy consumption by 20% across our three Australia-based factories. By 2021 our administrative process will be completely paperless.

Local manufacture

Our company, like our furniture, is built upon five generations of design heritage. Each and every item we produce is designed with intention: an heirloom for future generations to cherish and enjoy. We achieve this by staying local.

As leaders in sustainable, locally produced furniture we are reducing our impact on the environment by producing local for locals. We are proud to use a majority of local suppliers and maintain our own manufacturing facilities within Australia. This allows us to support our local economy while also eliminating complex logistics and minimising transportation of products.

Our customers feel the positive impacts of this directly. Their investment in a Zuster piece is the beginning of a lifelong commitment, on our part, to restore and repair our pieces to their original glory. So your Zuster piece will last a lifetime, and beyond.

Mindful material use

A Zuster design is not only timeless, it is durable, too. We use consciously sourced natural materials in the making of our products. We regularly review our use of raw materials to ensure continuous improvements in efficiencies of manufacture, as well as traceability.

Our timbers are selected for their low environmental impact. These are FSC-certified, PEFC-certified and chain of custody accredited. The mills from which we source meet stringent requirements in terms of forest regeneration, biodiversity and the protection of native fauna.

Useful information

Care advice, maintenance and warranty:

<https://zuster.com.au/pages/cleaning-care>

Showroom:

33 Church Street, Hawthorn, Victoria, Australia 3122.
Call +61 3 9852 8410 / Email info@zuster.com.au
Visit zuster.com.au



zuster