

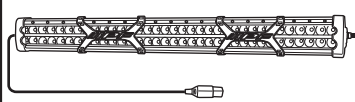
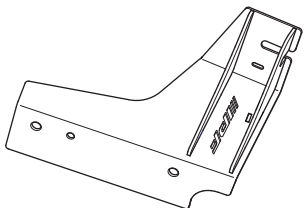
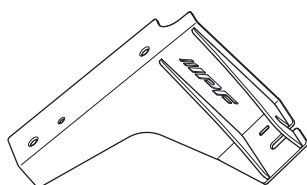
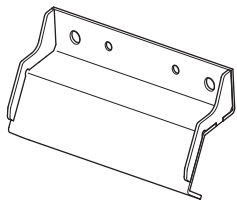
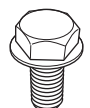

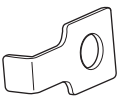

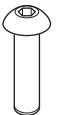

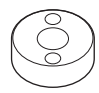
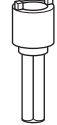

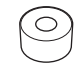
IPF Installation Manual

PN : **642JM**

Safety precautions Caution

- Strictly follow the installation manual. Incorrect installation causes damage or loss to your vehicle.
- It is recommended that this product be installed by a professional.
- This product is designed exclusively for JIMNY (JB64 and JB74) fitted with IPF LED light bar 642RJ.
- DO NOT use this product for any purpose other than mounting the 642RJ.
- DO NOT alter the product.
- Turn off the engine and ignition before installation.
- Check to see if there are screw loose or unsteady attachment around the mounting area on a regular basis, and check especially after off-road driving or when impacts applied.
- Stop using the product immediately if the bracket is cracked or deformed.
- Take great care not to damage the vehicle when installing or removing this product.
- Depending on the assembly production tolerance of the vehicle, the bracket may come into contact with the door. Have the door hinges adjusted at your dealer.
- If the paint on the product or the vehicle peels off, please repair it with touch-up paint etc., as this may cause rusting.
- We do not accept any liability for defects caused by the installation of other companies' products.

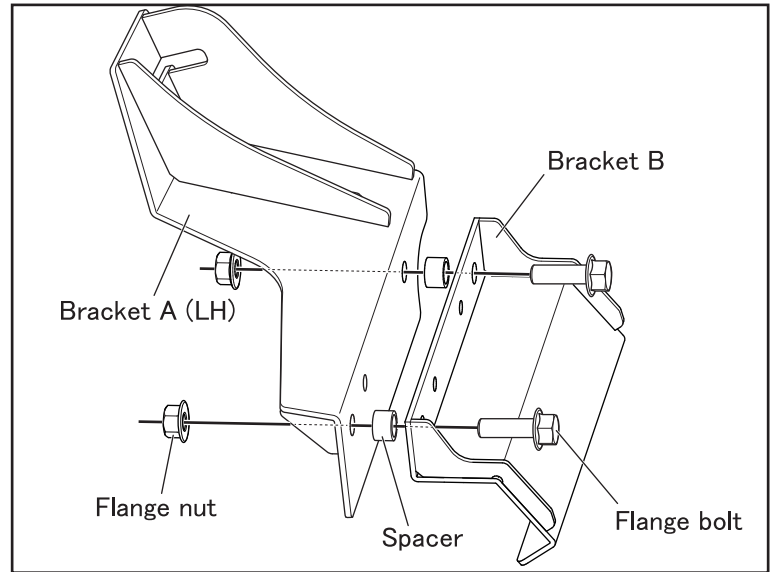
Component parts

① 642RJ 1 piece 		② Bracket A (LH) 1 piece 		③ Bracket A (RH) 1 piece 		④ Bracket B 2 piece 			
⑤ Flange bolt (M8 x 25) 4 piece 	⑥ Flange nut (M8) 4 piece 	⑦ Stopper 2 piece 	⑧ Spacer (steel) 6 piece 	⑨ Security bolt 2 piece 	⑩ Hex wrench 1 piece 	⑪ Security nut 2 piece 	⑫ Security nut bit 1 piece 	⑬ Rubber sheet 1 piece 	⑭ Plastic collar (black/6.0mm thick) 2 piece 

No.	Part name	No. of pcs	No.	Part name	No. of pcs
①	642RJ	1	⑧	Spacer (steel)	6
②	Bracket A (LH)	1	⑨	Security bolt	2
③	Bracket A (RH)	1	⑩	Hex wrench	1
④	Bracket B	2	⑪	Security nut	2
⑤	Flange bolt (M8 x 25)	4	⑫	Security nut bit	1
⑥	Flange nut (M8)	4	⑬	Rubber sheet	1
⑦	Stopper	2	⑭	Plastic collar (black/6.0mm thick)	2

How to install

1. Cut out the rubber sheets using the pattern paper and make two rubber sheets A and B each.
2. Temporarily assemble the bracket A (LH) and bracket B using the spacers, flange bolts and flange nuts.
3. In the same way, temporarily assemble the RH side.

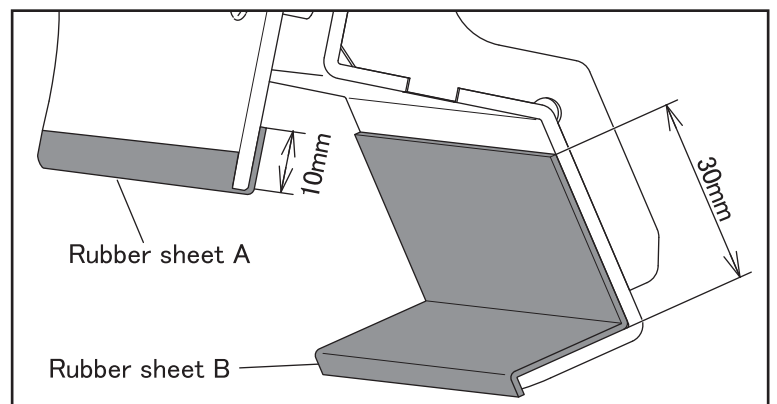
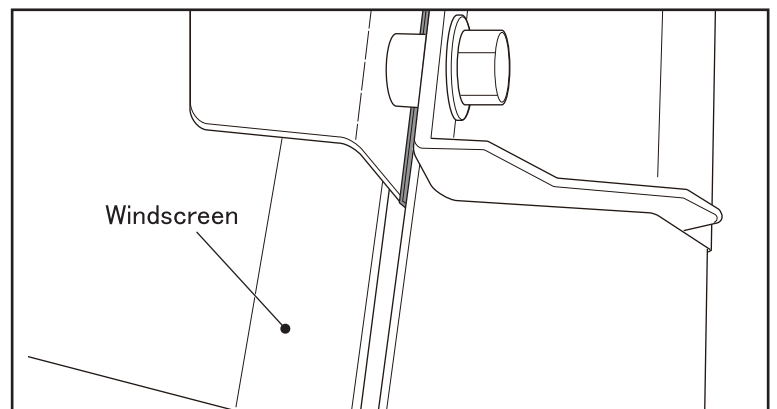
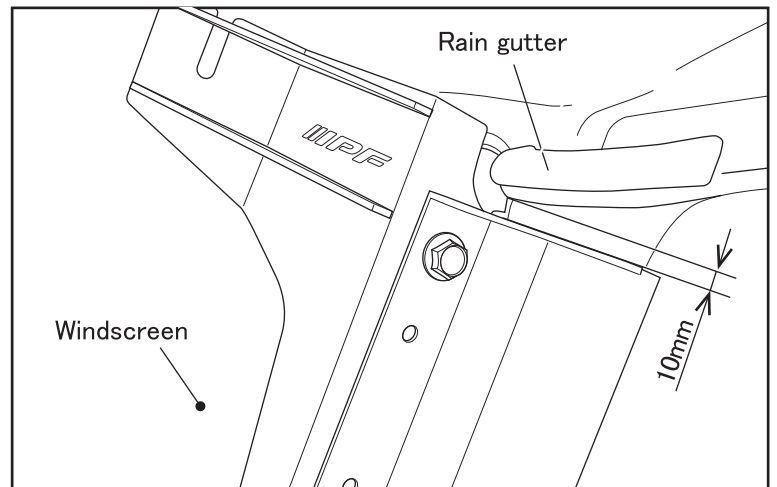


4. Temporarily assemble the left and right brackets, using the rubber sheet provided, at a distance of 10 mm from the top of the rain gutter on the A-pillar.

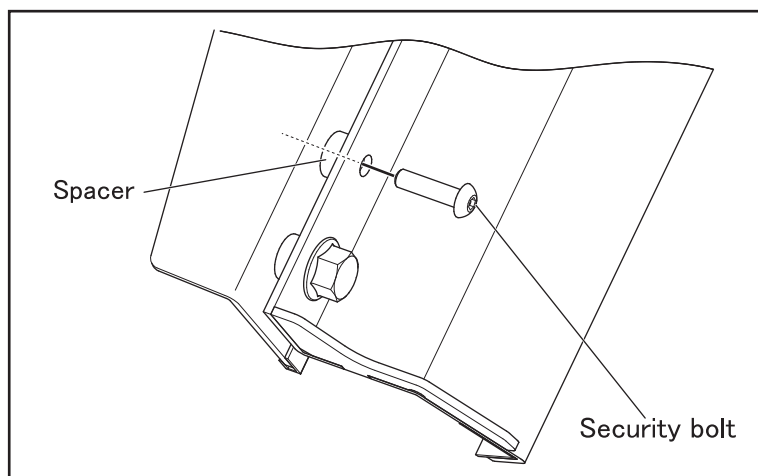
The figure on the right shows the LH side. Install the RH side in the same way.

Advice

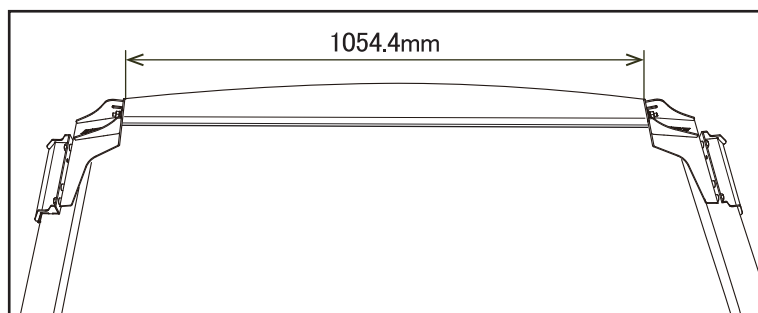
To make it easier to assemble, fix the rubber sheet to the bracket with double-sided tape or adhesive.



- When using the security bolts provided, insert the spacers between the brackets A and B to temporarily assemble them.



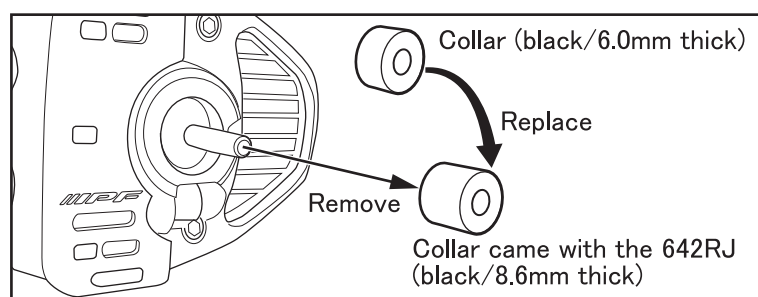
- Adjust the distance between the left and right brackets to the width (1054.4 mm) that the 642RJ can fit in, and temporarily assemble it so that the brackets do not move.



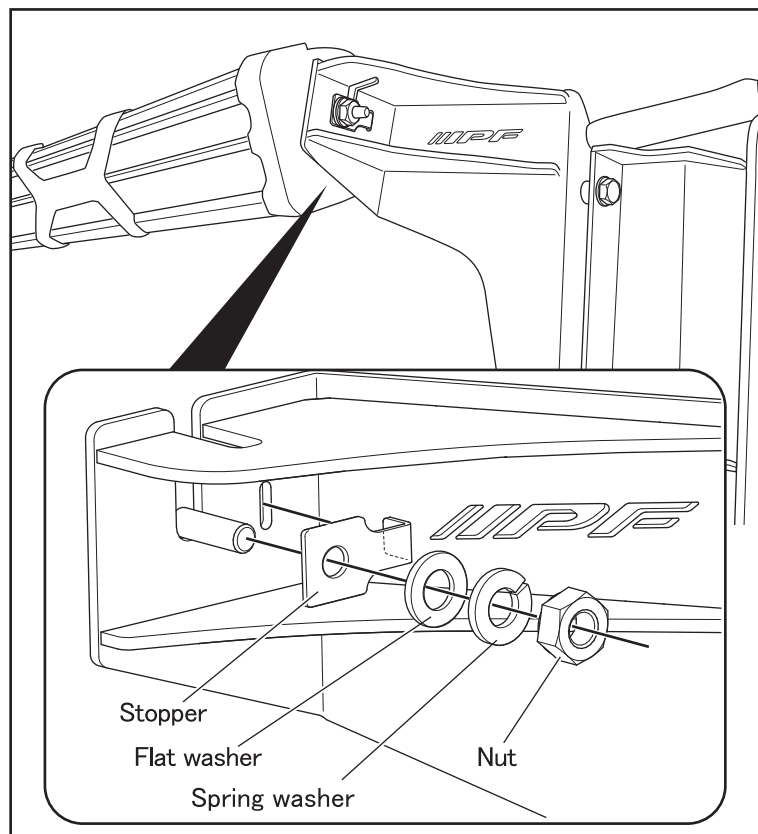
⚠ Caution

Since the light bar will be fitted, please apply a certain amount of torque to the temporary assembly.

- Remove the nut, spring washer, flat washer, and collar (black/8.6mm thick) that came with the 642RJ, and replace them with the collar (black/6.0mm thick) included with this kit.



- Insert the stopper between the flat washer and the bracket, and temporarily assemble them.

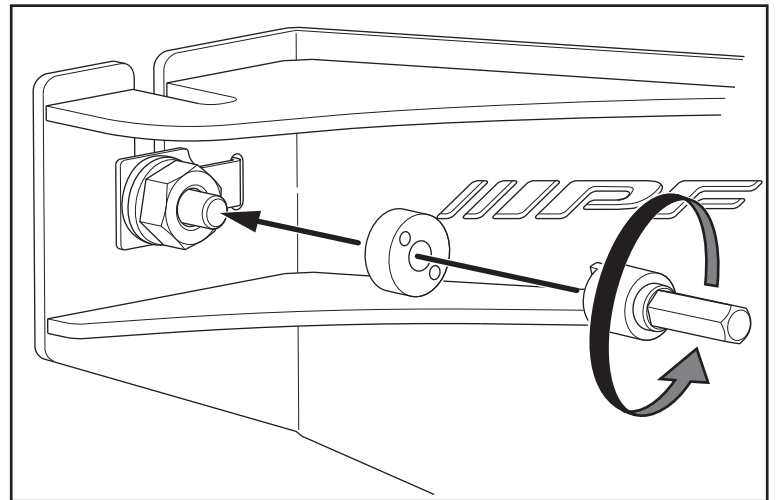


9. Adjust the angle of the 642RJ. Equally tighten the four flange bolts for fixing the left and right brackets and the nuts on both ends of the 642RJ in several times.
10. Tighten the flange bolts for fixing the brackets with a torque of 15N · m.

⚠ Warning

Low tightening torques may cause the product to fall off.
Excessively high tightening torques can deform the brackets and pillars.

11. Tighten the nuts for fixing the 642RJ with a torque of 10N · m.
12. If the security bolts are used, they must be tightened securely.
13. When using the security nuts, use the bit supplied and tighten it with a commercial bit holder.



14. Check to see if the lamp and brackets are not rattling.
15. Connect the harness according to the instructions on the 642RJ.

