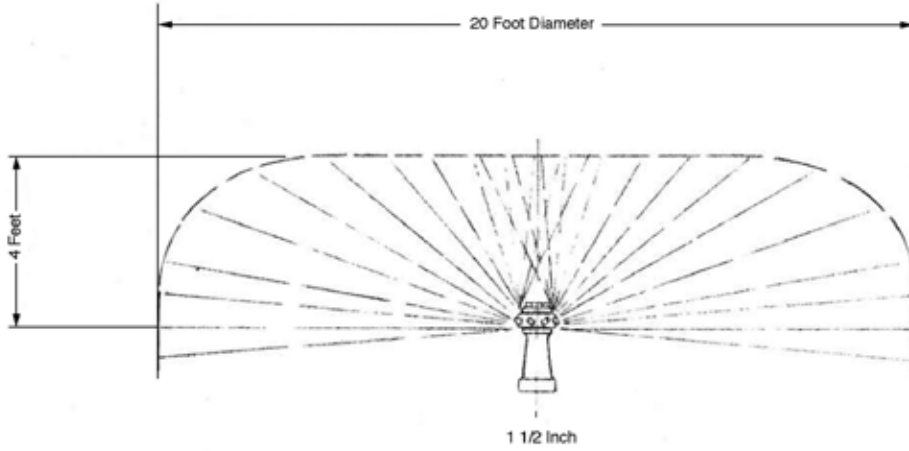
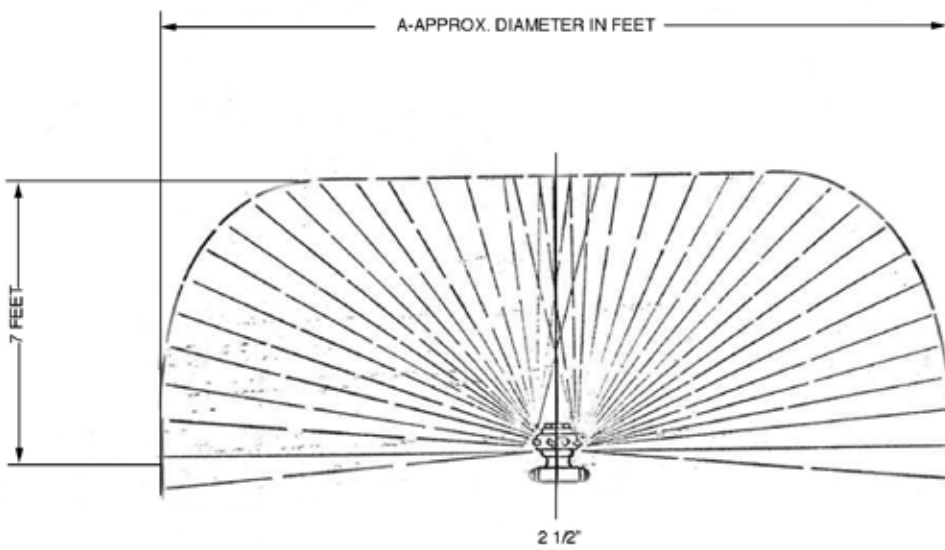




2-1/2" & 1-1/2" Spinning Rain Head Specifications



NOZZLE PRESSURE	GAL. PER MIN.
125	111
100	93
75	85



NOZZLE PRESSURE	GAL. PER MIN.	A
125	300	22
100	270	24
75	230	28
50	190	34