

Part Number: PTS30-34000

Kit Contents

Item #	Quantity Reqd.	Description
1	1	Linkage Assembly
2	1	Mounting Bracket
3	1	Step Pad
4	1	Hardware Bag

Hardware Bag Contents

Item #	Quantity Reqd.	Description
1	2	M10 x 40 Flange Head Bolt
2	1	M10 x 35 Flange Head Bolt
3	1	Flange Nut

Item #	Quantity Reqd.	Description
1		

Conflicts

Accessory Hitch (Factory Hitch okay)

Recommended Tools

Personal & Vehicle Protection	Notes
Safety Glasses	
Protective Tape	
Special Tools	Notes
None	
Installation Tools	Notes
Ratchet Wrench	
3" Extension	
14mm Socket	
15mm Socket	
Torque Wrench	0-150 lbf-ft
3/16 Allen Wrench	
Special Chemicals	Notes

General Applicability

MY22 and newer Tundra Models

Recommended Sequence of Application


Item #	Accessory
1	Bumper Step Assist
2	TRD Exhaust


*Mandatory


Vehicle Service Parts (may be required for reassembly)


Item #	Quantity Reqd.	Description
1		
2		
3		


Legend


 **STOP:** Damage to the vehicle may occur. Do not proceed until process has been complied with.


 **OPERATOR SAFETY:** Use caution to avoid risk of injury.

 **CAUTION:** A process that must be carefully observed in order to reduce the risk of damage to the accessory/vehicle and to ensure a quality installation.

 **TOOLS & EQUIPMENT:** Used in Figures calls out the specific tools and equipment recommended for this process.

 **REVISION MARK:** This mark highlights a change in installation with respect to previous issue.

 **SAFETY TORQUE:** This mark indicates that torque is related to safety.

 **REGULATORY MARK:** This mark indicates the component is related to regulatory compliance

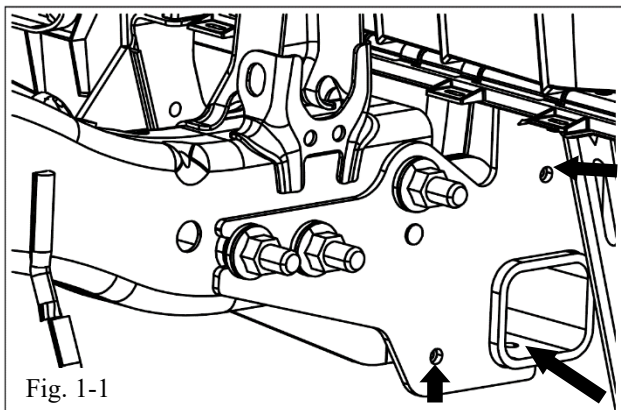
Care must be taken when installing this accessory to ensure damage does not occur to the vehicle. The installation of this accessory should follow approved guidelines to ensure a quality installation.

These guidelines can be found in the "Accessory Installation Practices" document.

This document covers such items as:-

- Vehicle Protection (use of covers and blankets, cleaning chemicals, etc.).
- Safety (eye protection, rechecking torque procedure, etc.).
- Vehicle Disassembly/Reassembly (panel removal, part storage, etc.).
- Electrical Component Disassembly/Reassembly (battery disconnection, connector removal, etc.).

Please see your Toyota dealer for a copy of this document.



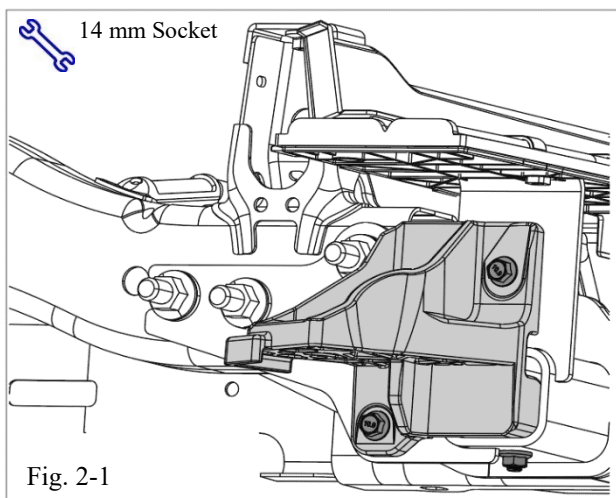
1. Locate and Prepare the Mounting Point.

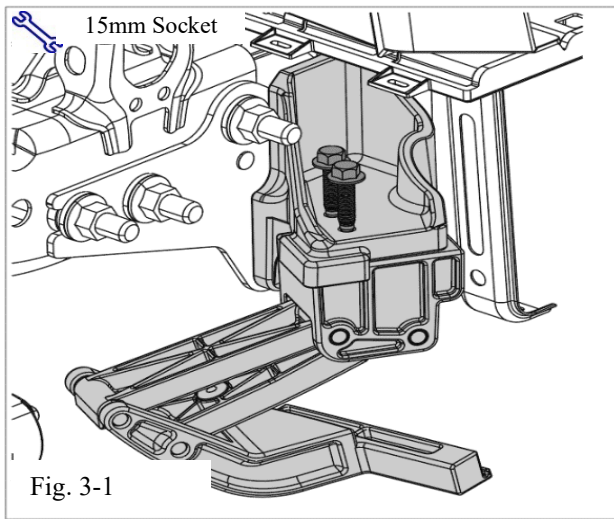
- a) Locate rear receiver hitch attachment point on the driver side of the vehicle (Fig. 1-1).

2. Install the Frame Mount to Mounting Point

- a) Set Frame mount into position. Stud on frame mount will drop into stamped hole on receiver hitch cross tube.
- b) Use provided fine thread M10 Bolts to attach frame mount to Receiver hitch.
- c) Next use provided M10 nut and thread onto stud (Fig. 2-1).

Torque fasteners to 39 N·m ± 4 N·m (29 ft-lbs ± 3 ft-lbs).



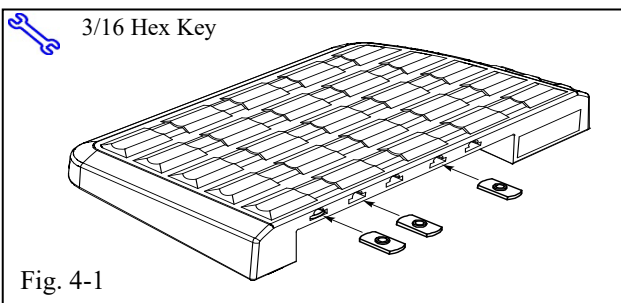


3. Install Bumper Step Assist to Frame Mount

- +** a) Set linkage up to frame mount. Linkage upper mount will locate on edge of frame mount to help align mounting holes.
- b) Use provided coarse thread M10 Bolts to attach linkage assembly to frame mount.

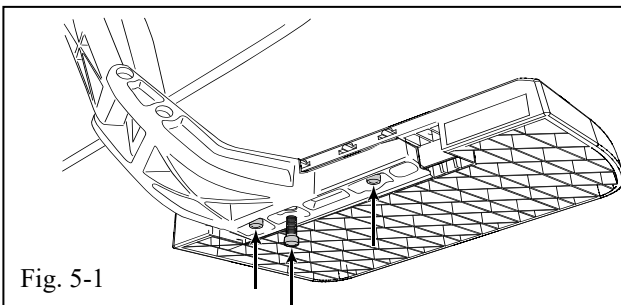
⚠ NOTE: Keep linkage assembly in closed position.

Torque fasteners to $44\text{N}\cdot\text{m} \pm 4\text{N}\cdot\text{m}$ (33 ft-lbs. ± 3 ft-lbs.) (Fig. 3-1).



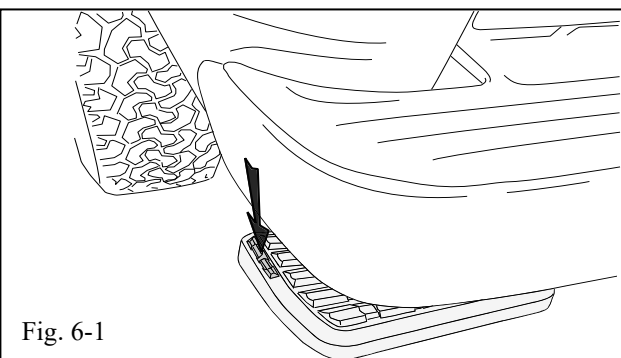
4. Prepare for Step Pad Installation

- a) Insert three nut plates into designated slots (Fig. 4-1).
- b) Raised lip of nut plate faces upward.
- c) Use first, second and fourth slots only.



5. Install Step Pad

- a) Locate Step Pad onto lower mount of Linkage assembly.
- b) Step Pad interface allows two positions. Use position that extends step pad most outboard (Fig. 5-1).
- c) This allows foot access for deploying step (Fig. 6-1).
- d) Insert cap screws into corresponding holes (first, second, and fourth) and torque to $8\text{N}\cdot\text{m} \pm 1.5\text{N}\cdot\text{m}$ (6ft-lbs ± 1 ft-lbs.) (Fig. 5-1).



Checklist - these points **MUST** be checked to ensure a quality installation.

Check:

Look For:

Accessory Function Checks

Torque adjustment of bracket mounting bolts

Torque adjustment of brackets / linkage assembly bolts.

Step Pad Position

Torque adjustment of Step Pad screws.
Process check: Auditor will confirm the torque wrench setting and observe the installer performing the process.

Note: The bolts may loosen 1ft-lb over the first 24 hour period. This is very common with plastic components and is commonly referred to as “creep” in the plastic industry. THIS IS NOT A SAFETY ISSUE.

Verify License plate light functions properly.

Frame Bracket Linkage assembly mounting bolts must be tightened to 40-48 N·m (30-36 ft-lbs.)

Ensure foot access for deployment. Step deploys with downward force to left leading corner (indication by raised grip section).

Step Pad screws must be tightened to 6.5-9.5 N·m (5-7 ft-lbs.)