

**Part Number: PT954-34220-02**  
**PT954-34221-02**

**Kit Contents**

Item #	Quantity Req'd.	Description
1	1	Tonneau Cover
2	2	Cargo Rails
3	1	Hardware Bag

**Hardware Bag Contents**

Item #	Quantity Req'd.	Description
1	2	Elevator Bolt
2	4	Rubber Washer
3	2	Large Flat Washer
4	2	Lock Washer
5	2	Star Knob
6	10	"S" Clamp 7A/7B
7	10	"S" Clamp 7A/7B Screw
8	12	"S" Clamp 8A/8B
9	12	"S" Clamp 8A/8B Screw
10	1	"S" Clamp - for Electrical Box
11	2	Buckle
12	4	Threaded Post
13	4	Threaded Post Screw
14	2	Drain Tube
15	2	Drain Tube Adapter
16	3	Block Bumper
17	2	Foam Block Filler

**Additional Items Required For Installation**

Item #	Quantity Req'd.	Description
1		
2		

**Conflicts**

None
------

**Recommended Tools**

Personal & Vehicle Protection	Notes
Special Tools	Notes
Installation Tools	Notes
Philips Screwdriver	
T-30 Torx Driver	
3/8" Drive Short extension	
Ratchet Wrench	
Scissors	
Alcohol Wipe	
Towel/Rag	For cleaning
Special Chemicals	Notes
VDC Approved Cleaner	

**General Applicability**

MY22 and newer Tundra Models
------------------------------

**Recommended Sequence of Application**


Item #	Accessory
1	
2	
3	


\*Mandatory


**Vehicle Service Parts** (may be required for reassembly)


Item #	Quantity Req'd.	Description
1		
2		
3		


**Legend**


 **STOP:** Damage to the vehicle may occur. Do not proceed until process has been complied with.


 **OPERATOR SAFETY:** Use caution to avoid risk of injury.

 **CAUTION:** A process that must be carefully observed in order to reduce the risk of damage to the accessory/vehicle and to ensure a quality installation.

 **TOOLS & EQUIPMENT:** Used in Figures calls out the specific tools and equipment recommended for this process.

 **REVISION MARK:** This mark highlights a change in installation with respect to previous issue.

 **SAFETY TORQUE:** This mark indicates that torque is related to safety.

 **REGULATORY MARK:** This mark indicates the component is related to regulatory compliance

Procedure

Care must be taken when installing this accessory to ensure damage does not occur to the vehicle. The installation of this accessory should follow approved guidelines to ensure a quality installation.

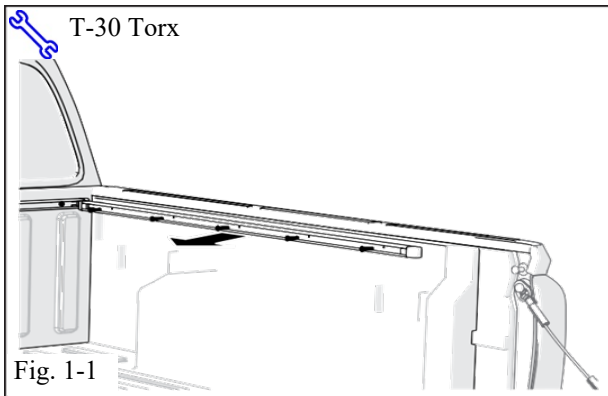
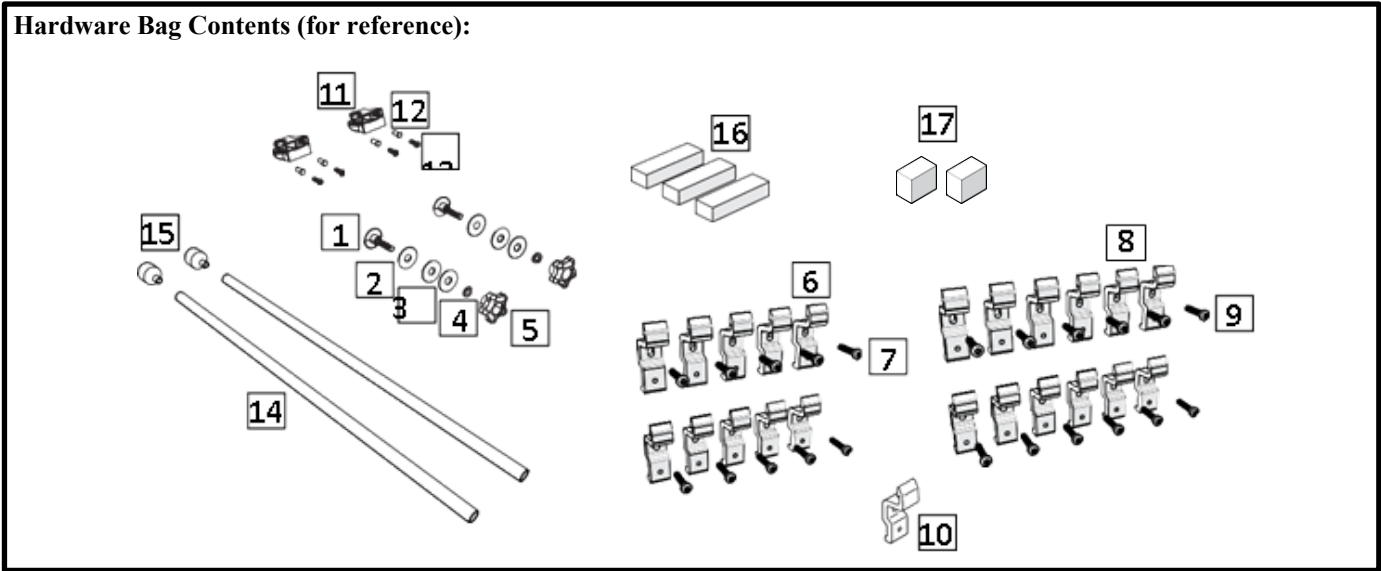
These guidelines can be found in the "Accessory Installation Practices" document.

This document covers such items as:-

- Vehicle Protection (use of covers and blankets, cleaning chemicals, etc.).
- Safety (eye protection, rechecking torque procedure, etc.).
- Vehicle Disassembly/Reassembly (panel removal, part storage, etc.).
- Electrical Component Disassembly/Reassembly (battery disconnection, connector removal, etc.).

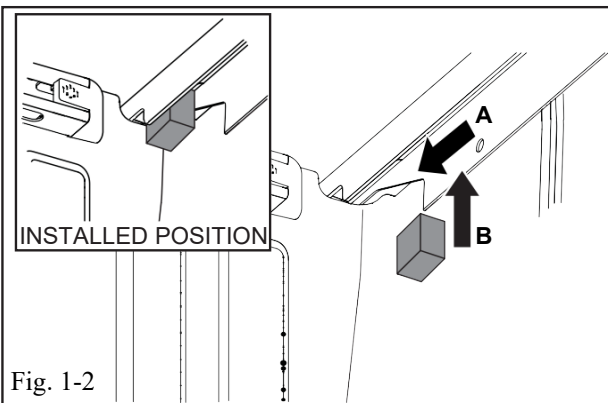
Please see your Toyota dealer for a copy of this document.

**Hardware Bag Contents (for reference):**



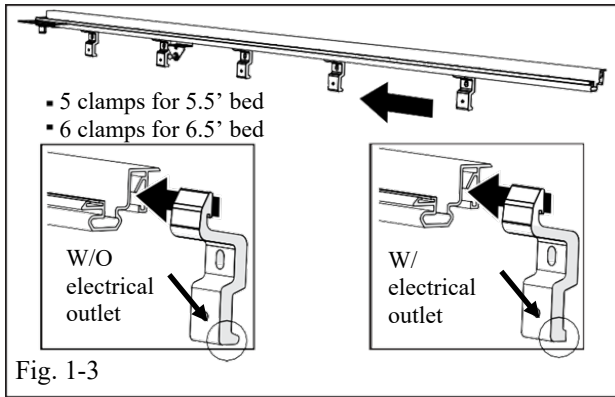
**1. Install Tonneau Cover Cargo Rails**

(a) Remove the LH and RH accessory rails by removing screws and tree pin. Leave the top rail intact. Keep both rails and screws for later reinstallation but discard the tree pin (Fig 1-1).



(b) Using VDC approved cleaner, clean area then install small foam block filler with adhesive end up as far forward as possible against the cab end bed wall/bulkhead (Fig 1-2).

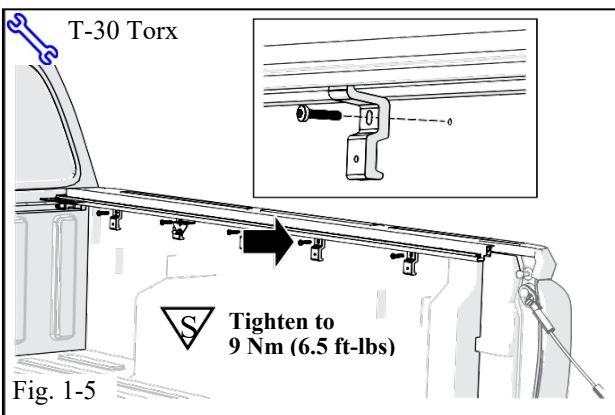
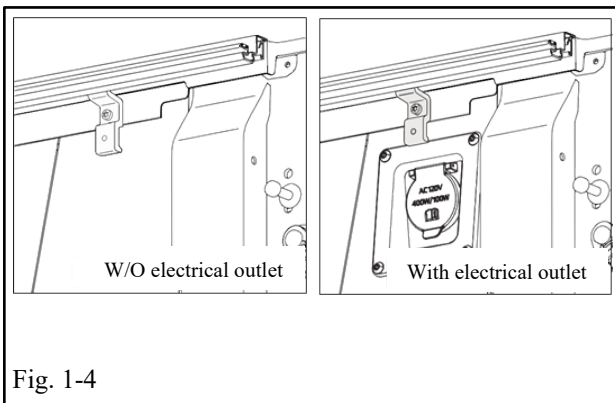
(c) Push upward into place as far as possible. Do this for both RH and LH sides (Fig 1-2).



(d) Align the S clamps with the cargo rail slot and insert into cargo rail.

**NOTE:** If the S clamps do not slide through the rear end of the cargo rail, slide the S clamps through the front end of the rail.

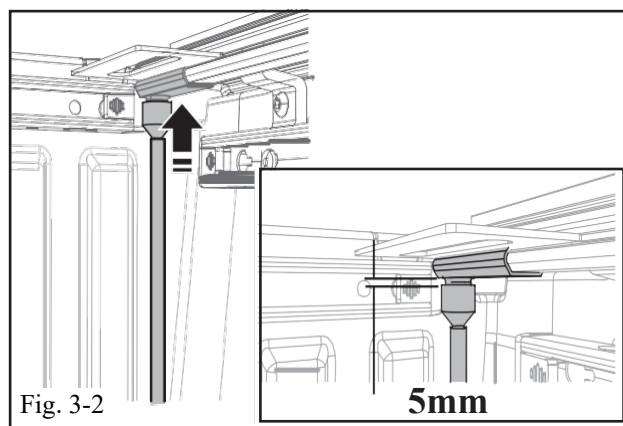
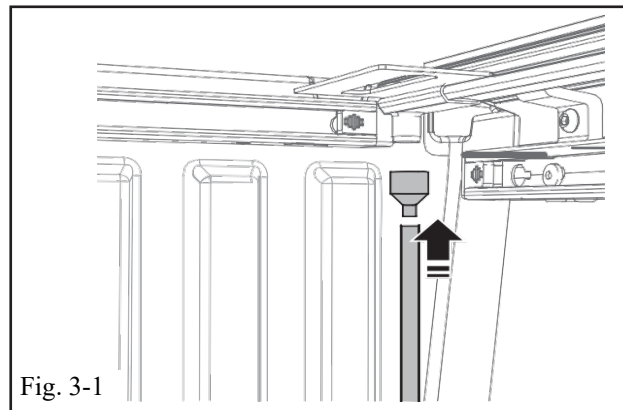
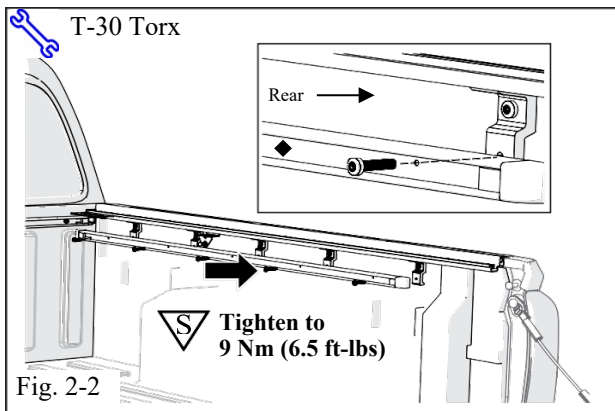
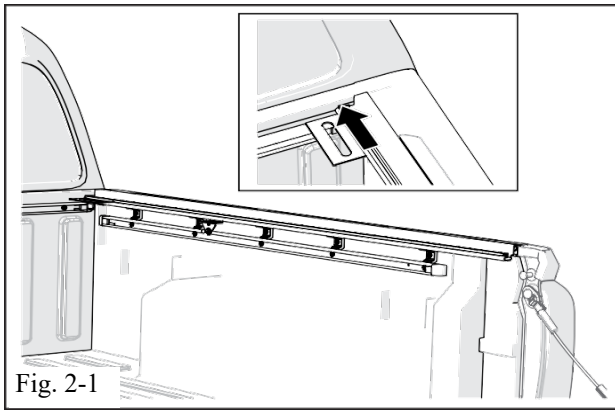
- (1) If vehicle is equipped with an electrical outlet at the right rear corner of the bed, the right rearmost clamp will look different than the rest of the clamps, as shown in Figure 1-3 and Figure 1-4.



(e) Using OE fasteners from Step 1, mount the cargo rail into the holes in the truck bed (Fig. 1-5). Torque fasteners to 9 Nm (6.5 ft-lbs).



- (1) Before tightening, adjust the rail to ensure it is pushed all the way up against the headrail and clears the tail gate.
- (2) Before tightening, also ensure rubber gasket on top of the rail is laid flat and not folded.

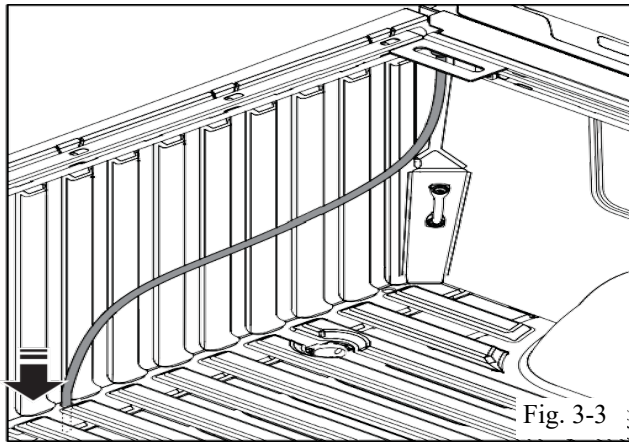


## 2. Re-Install Accessory Rails

- Before proceeding, ensure both cargo rails are pushed up tight against the bulkhead (Fig 2-1).
- Mount the accessory rail to the S clamps utilizing the lower holes in the clamp and the provided Torx screws (Fig 2-2). Torque screws to 9Nm (6.5 ft-lbs).  
⚠
- Ensure the rail is correctly oriented such that the diamond in the rail is toward the rear.

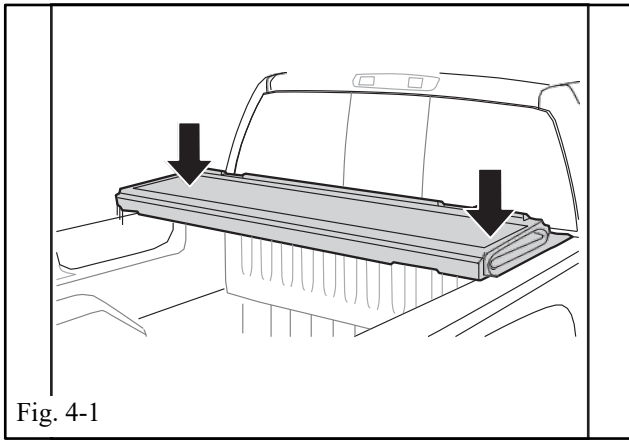
## 3. Install Drain Tube

- Slide the drain hose onto the small end of the drain hose adapter until it stops sliding (Fig 3-1).
- Push the drain hose adapter with the drain hose onto the cap until it stops. Once installed there should be a 5mm gap between the top of the drain adapter and the bottom of the drain cap (Fig 3-2).



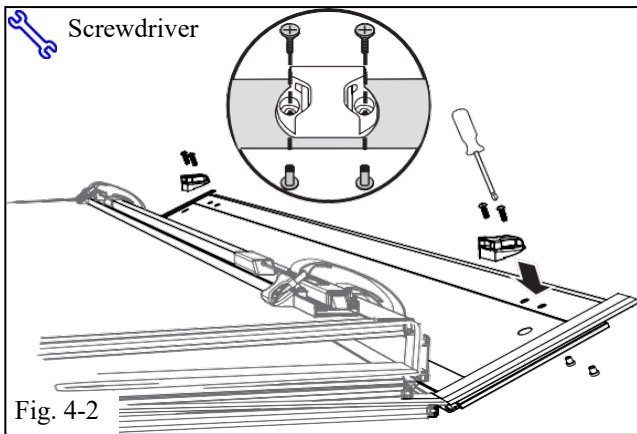
- (c) Install the drain hose on the bottom of the truck bed, going through the hole nearest the center of the bed. If necessary, put a relief cut in the tube to get it through the hole. Push the tube into the hole until the slack is removed (Fig 3-3).

(1) Do this for both LH and RH sides.



**4. Install Tonneau Cover**

- (a) Place tonneau cover in folded position on the bed cover rails toward the front of the bed near the cab (Fig 4-1). Remove the shipping foam pads adhered to the bottom of the tonneau cover.



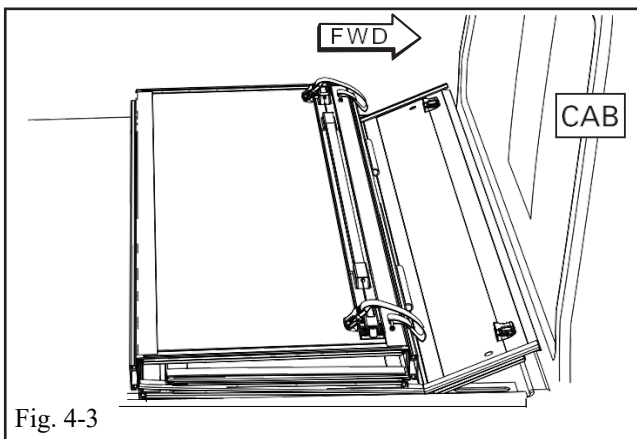
- (b) Raise the front panel to install the two buckles into the pre-drilled holes with the provided machine screws and threaded posts.



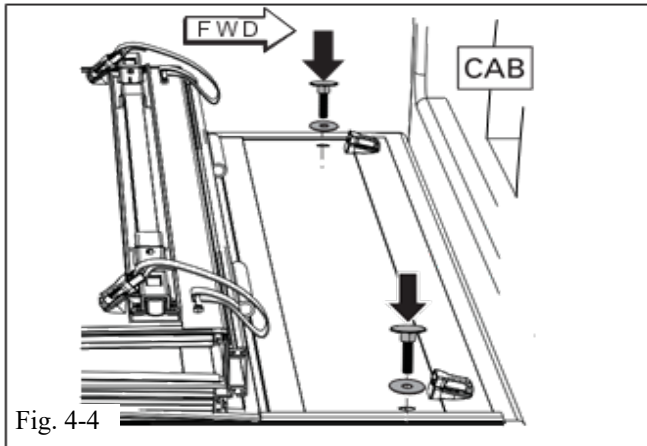
Do not use a screw gun but tighten securely by hand with a screwdriver (Fig 4-2).

- (1) Install buckles with clip side facing the bed of the truck.

- (2) The threaded posts go up from the bottom of the tonneau cover with the screws going down from the top.

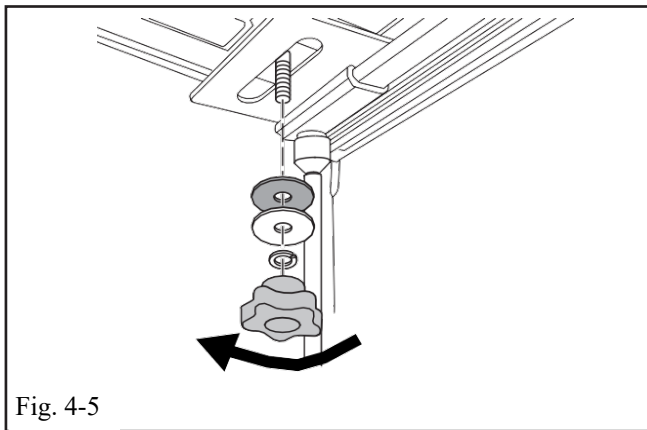


- (c) Front panel folds down over the slotted rail brackets. Fold the panel down and align it so it sits squarely on the rails and align the mounting holes with the slotted rail brackets (Fig 4-3).

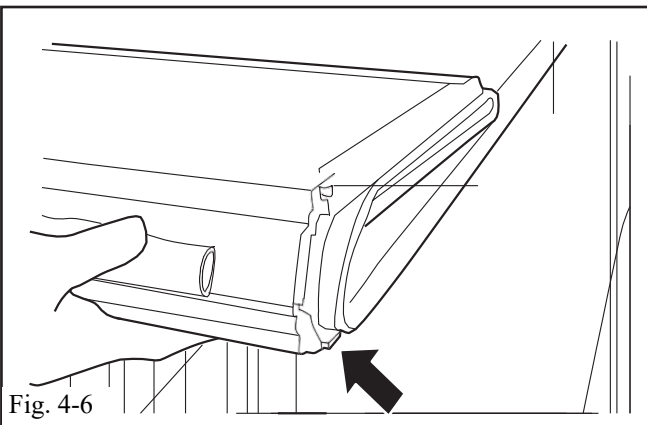


(d) Insert the elevator bolt through a rubber washer, through the front panel, and the slotted bracket (Fig 4-4).

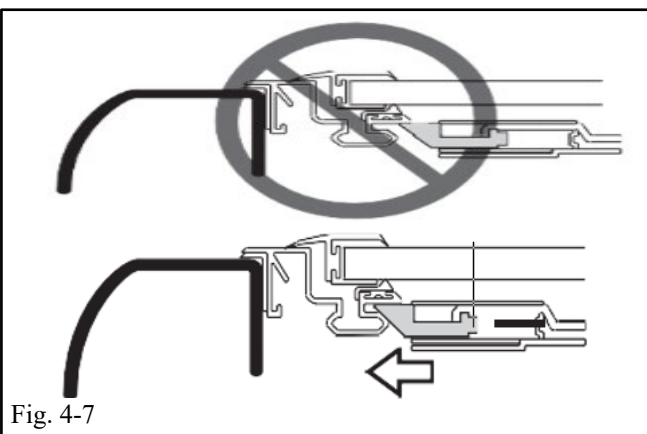
(1) Complete for both LH and RH side.



(e) Assemble the washers from underneath. On the elevator bolt, install the hardware in this order: large rubber washer, large flat washer, lock washer, and knob (Fig 4-5). Do this for both LH and RH side.

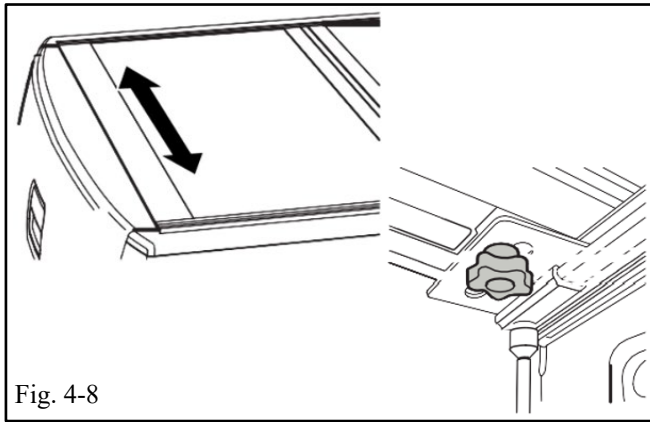


(f) Unfold the cover toward the tailgate. Make sure that the cover fits squarely between the rails and ensure the seal along the edge does not fold up under itself (Fig 4-6).

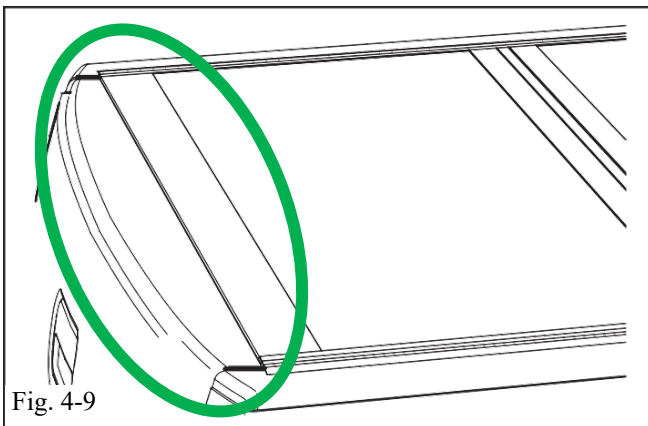


(g) Ensure the latches for opening the tonneau cover are properly engaged with the side rails (Fig 4-7).

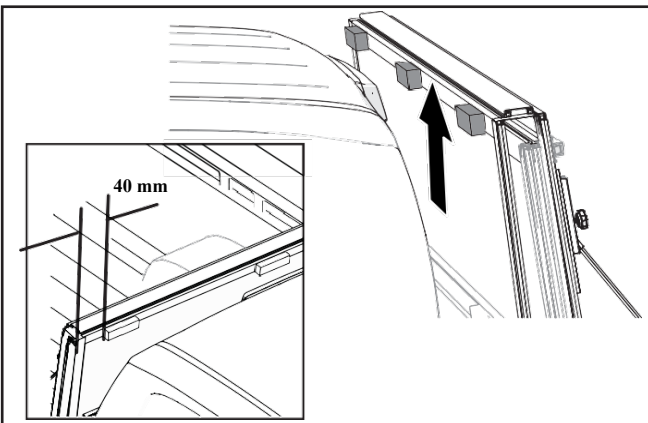




- (1) At this point, firmly push the tonneau cover forward to ensure it is all the way up on the bulkhead.
- (2) If necessary, adjust the tonneau cover left to right to confirm side rail engagement. Once tonneau cover is fully engaged, ensure knob is hand tightened and secure (Fig 4-8).

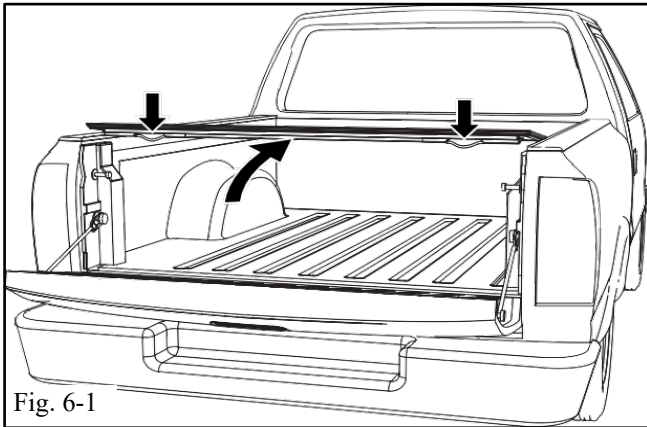


- (h) Confirm the rear edge of the cover and seal rest on top of the tailgate (Fig 4-9).



### 5. Install Tonneau Cover Bumpers

- (a) Clean area with VDC approved cleaner then install the three cab bumpers along the top edge of the cover where it meets the truck cab when folded and propped up with the prop rods (Fig 5-1).
  - (1) The center bumper should be installed at the very center of the tonneau cover near aligned with the taillight.
  - (2) The two outside bumpers should be no closer than 40 mm from the outside edges.



## 6. Confirm Tonneau Cover Operation

- (a) Open tailgate and reach under the panel to the cable at either end of the panel. Pull the cable down to release both latches while lifting the panel (Fig 6-1).
- (b) Fold tonneau cover and then unfold it latching the tonneau cover securely. Close the tailgate confirming the tonneau cover fin lays on top of the tailgate.





**TOYOTA TUNDRA 2022 - TONNEAU COVER**

Checklist - these points **MUST** be checked to ensure a quality installation.

Check:	Look For:
<p><u>Accessory Function Checks</u></p> <p><input type="checkbox"/> Confirm cover operation</p> <p><input type="checkbox"/> Confirm tailgate operation</p> <p><input type="checkbox"/></p>	<p>Confirm tonneau cover opens, closes, and folds properly.</p>
<p><u>Vehicle Function Checks</u></p> <p><input type="checkbox"/> Confirm tailgate operation</p> <p><input type="checkbox"/></p> <p><input type="checkbox"/></p>	<p>Tailgate should open and close without interference.</p>
<p><u>Vehicle Appearance Check</u></p> <p><input type="checkbox"/> After accessory installation and removal of protective cover(s), perform a visual inspection.</p>	<p>Ensure no damage (including scuffs and scratches) was caused during the installation process. (For PPO installations, refer to TMNA Accessory Quality Shipping Standard.)</p>

**FOR TORQUE AUDIT PURPOSES ONLY**

Fastener Description	Audit Torque Range	Target	Page #
OE Rail Screws	 5-14 N·m (3.5-10 ft·lbf)	9 N·m (6.5 ft·lbf)	3
Provided Accy Rail Screws	 7-13.5 N·m (5-9 ft·lbf)	9 N·m (6.5 ft·lbf)	4