

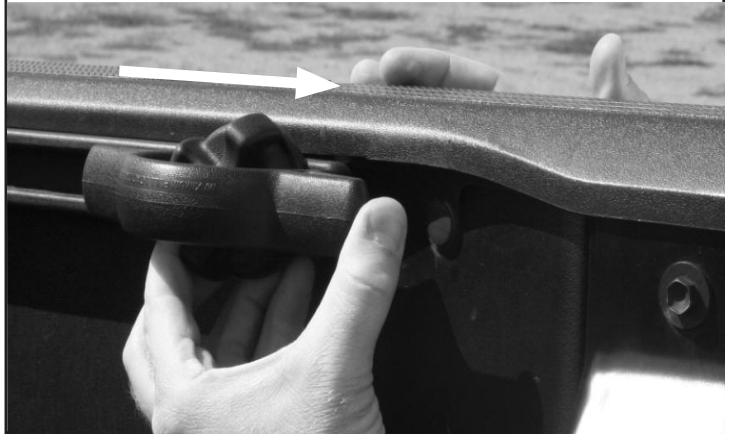
# TOYOTA TACOMA SUPPLEMENTAL INSTRUCTIONS

- 1** Remove cargo rail end plugs: Begin by pushing in on the end plug tab and at the same time push the end plug out of the rail.

CARGO RAIL      TAB ON END PLUG



- 2** Remove tie downs: If tie downs are installed in the cargo rail, remove them for now.

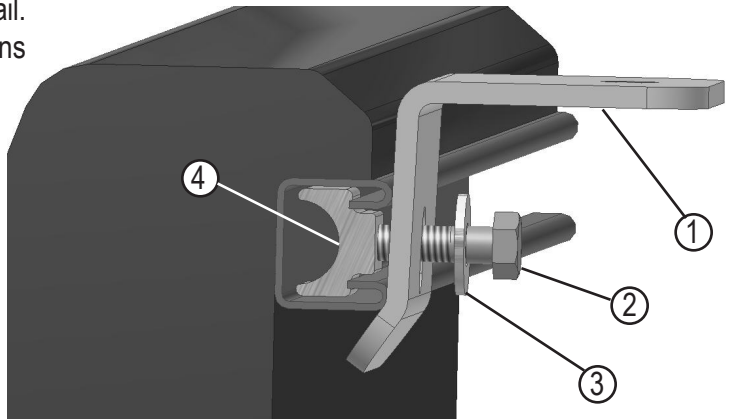


- 3** Install the brackets into the cargo rails: Assemble the brackets as shown. Insert the assembly into the cargo rail. Three brackets per side are required. If cargo tie downs are going to be used see step 4.

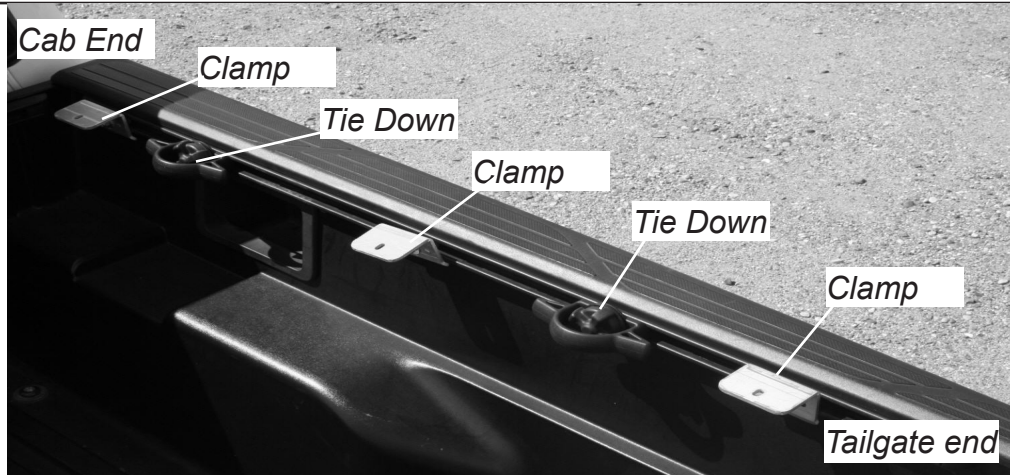
**Leave all fastener hardware loose at this time.**

### Replacement Parts List

Item	Part #	Description
1.	1705577	CLAMP BRACKET
2.	1702926	SCREW 5/16"-18 X 7/8"
3.	1700428	5/16 WASHER
4.	1703889	FEMALE CLAMP INSERT

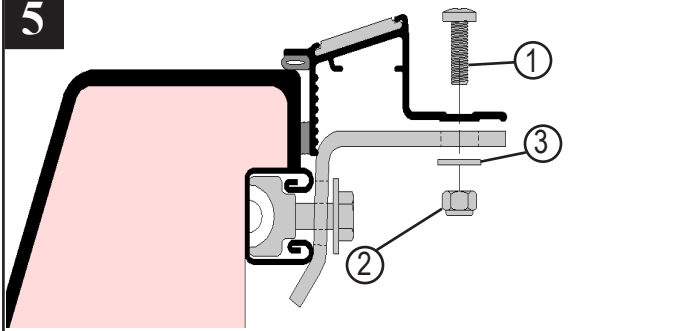


- 4** Reinstalling cargo tie downs: If tie downs are going to be used, install the tie downs in order as shown in the diagram.



# TOYOTA TACOMA SUPPLEMENTAL INSTRUCTIONS

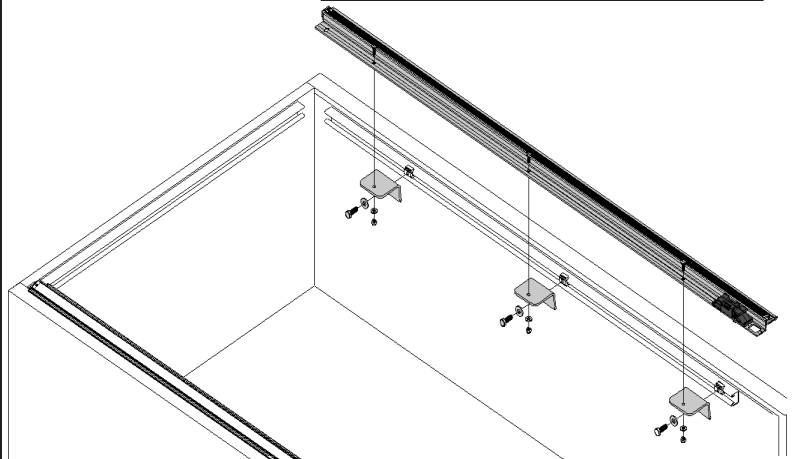
5



## Replacement Parts List

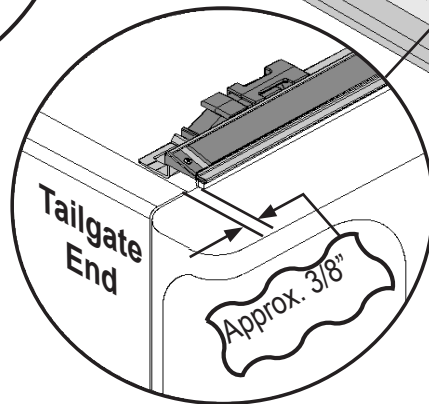
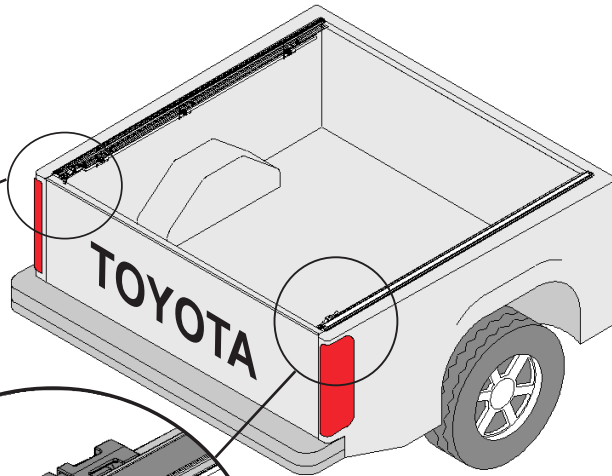
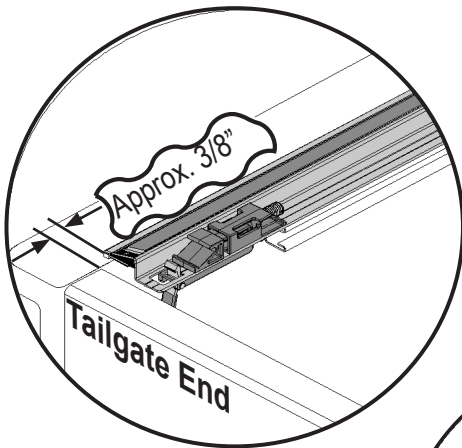
Item	Part #	Description
1.	1702741	SCREW_PN HD_1/4"-20 X 3/4"
2.	1701543	HEX NUT_FULL_NYLON LOCK_1/4"-20
3.	1700427	FLAT WASHER_1/4"_USS

Leave all fastener hardware loose at this time.



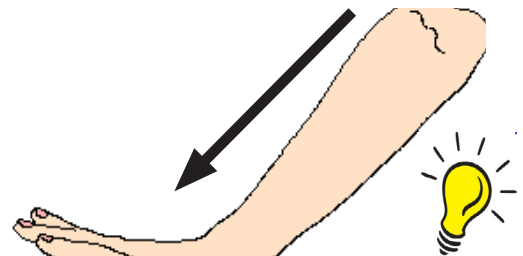
6

With the tailgate closed, evenly position both side rails from front to back. See illustration below for correct distance from tailgate.

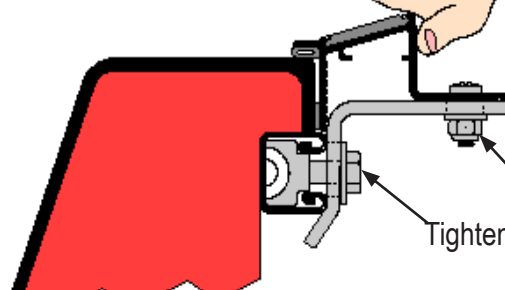


7

Once rails have been positioned, tighten all bracket hardware. Continue to step 3 in manual that was supplied with this kit to finish installing.



To assure proper fit and weather sealing, apply downward pressure when tightening the screws.



**Refer To Installation Manual To Complete Install.**