

# How to Measure Your Mirror



Fill out the measurements below.

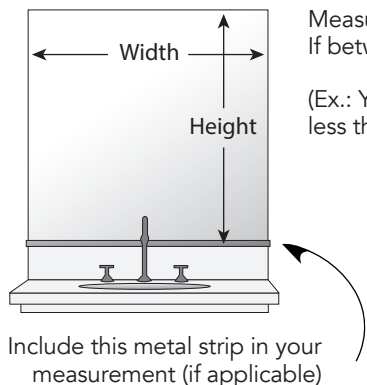
You'll have everything you need to order at [mirrormate.com](http://mirrormate.com).

Questions? ☎ 866.304.6283 ✉ [info@mirrormate.com](mailto:info@mirrormate.com)

Mirror sizes vary, so each mirror MUST be measured separately.

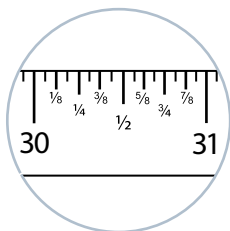
	Example	Bath #1	Bath #2
ROOM	Master		
FRAME NAME	Bellemeade		
COLOR	Silver		

## Step 1: MIRROR MEASUREMENTS (in inches)



Measure the mirror to the nearest 1/8 inch. If between 1/8", round down.

(Ex.: Your measurement is more than 1/4" but less than 3/8", round down to 1/4")

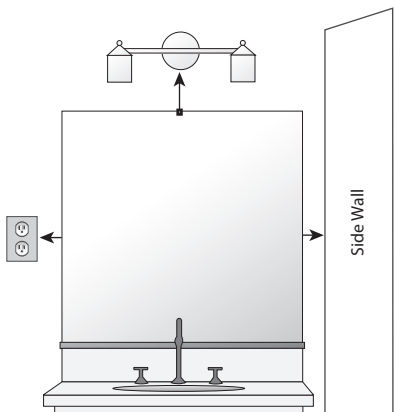


WIDTH

HEIGHT

<input type="text"/>	<input type="text"/>
<input type="text"/>	<input type="text"/>

## Step 2: MIRROR PLACEMENT



Measure the distance from each edge of the mirror to nearest wall, outlet, backsplash, fixture etc.

No room? Just enter 0".

More than 5/8"? Just enter 5/8"+.

### Why do we need this information?

When possible we extend the frame beyond the mirror up to 5/8" to hide the mirror's edge.

TOP

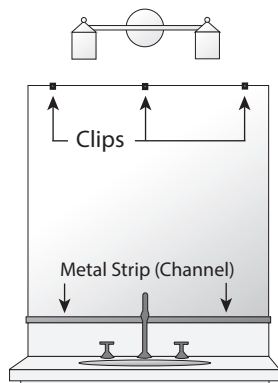
LEFT

RIGHT

BOTTOM

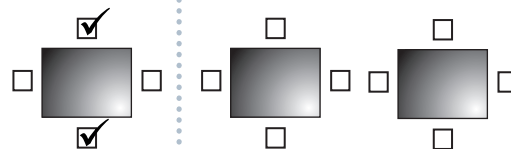
<input type="text"/>	<input type="text"/>
<input type="text"/>	<input type="text"/>
<input type="text"/>	<input type="text"/>
<input type="text"/>	<input type="text"/>

## Step 3: MIRROR ATTACHMENT

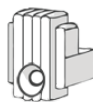


Do you have clips or a channel holding your mirror? **If yes**, tell us where.

SELECT LOCATION(S) MIRROR HAS CLIPS OR A METAL STRIP



ARE YOUR CLIPS PLASTIC AND LOOK LIKE THESE?



Yes

Yes

Yes

If **Yes**, they may not work with the frame. We will send replacement clips FREE.

You're ready! Visit [mirrormate.com](http://mirrormate.com) to order.