

# How to Measure Your Mirror



Fill out the measurements below.

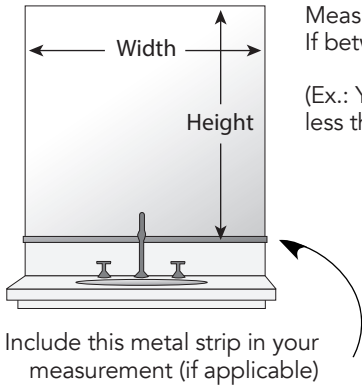
You'll have everything you need to order at [mirrormate.com](http://mirrormate.com).

Questions? ☎ 866.304.6283 ✉ [info@mirrormate.com](mailto:info@mirrormate.com)

Mirror sizes vary, so each mirror MUST be measured separately.

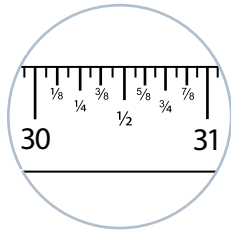
	Example	Bath #1	Bath #2
ROOM	Master		
FRAME NAME	Bellemeade		
COLOR	Silver		

## Step 1: MIRROR MEASUREMENTS (in inches)



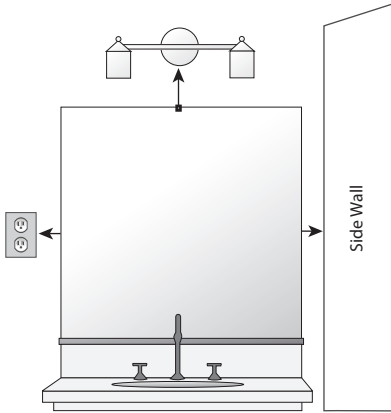
Measure the mirror to the nearest 1/8".  
If between 1/8", round down.

(Ex.: Your measurement is more than 1/4" but less than 3/8", round down to 1/4")



WIDTH	48 1/2"		
HEIGHT	36 5/8"		

## Step 2: MIRROR PLACEMENT



Measure the distance from each edge of the mirror to nearest wall, outlet, backsplash, fixture etc.

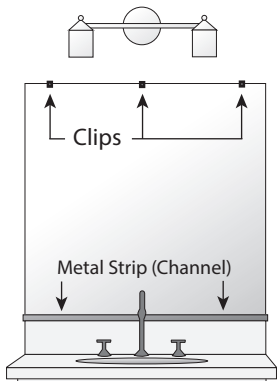
No room? Just enter 0".  
More than 5/8"? Just enter 5/8"+.

### Why do we need this information?

When possible we extend the frame beyond the mirror up to 5/8" to hide the mirror's edge.

TOP	5/8" +		
LEFT	3/4"		
RIGHT	1/8"		
BOTTOM	0"		

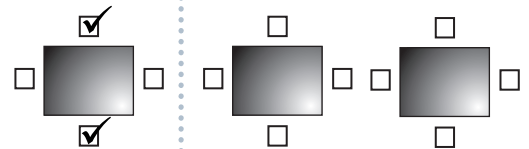
## Step 3: MIRROR ATTACHMENT



Do you have clips or a channel holding your mirror?  
**If yes**, tell us where.



SELECT LOCATION(S)  
MIRROR HAS CLIPS  
OR A METAL STRIP



ARE YOUR  
CLIPS PLASTIC  
AND LOOK  
LIKE THESE?

If **Yes**, they may not work with the frame. We will send replacement clips FREE.

You're ready! Visit [mirrormate.com](http://mirrormate.com) to order.