

## WARRANTY

Your new Jarrahdale wood heater comes with the following warranty:

- **10 Year Firebox Warranty**
- **12 month fan warranty (if fan fitted to appliance)**
- **3 Year Baffle Warranty**
- **12 month warranty on air tube**

### ***Warranty is not transferrable on the full range of Jarrahdale Heaters***

The firebox warranty repairs are not done onsite and require the heater to be removed and sent back to head office at 17 Malcolm Rd Maddington WA 6109. The cost for the removal and re-installation plus transport costs are at the responsibility of the client not Jarrahdale Solid Fuel Heating.

Tampering or incorrect use of your Jarrahdale wood heater will also void any warranties associated with your heater. Proof of purchase is required prior to any warranty work being approved.



### **SOLID FUEL HEATING**

**17 Malcolm Road, Maddington W.A 6109**

**Phone: (08) 9493 6512**

### **OWNERS MANUAL**

Jarrahdale Heaters have been carefully developed to ensure a well-balanced firebox that will burn a wide variety of hard woods over a longer period of time.

To take advantage of this economical slow combustion fire, there are correct and incorrect ways of operating it.

The following checklist applies to the installation of a Jarrahdale fire:

1. Hearth should be the correct size.
2. The fireplace should have sufficient clearance from the walls.
3. The flue must have sufficient clearance from the walls and pushed down firmly into the firebox.
4. Flue shields must be fitted, if required.
5. To prevent the ceiling overheating a ceiling protector must be fitted.
6. Flue must be clear of combustibles in the roof.
7. Chimney section must be secure and roof flashing waterproof.
8. Check baffle plate is in correct position. Large lip should be facing up and towards the front of the unit. Push back to rear of firebox.
9. Install as per AS NZS 2918:2001 standards

### TO PREVENT BUILD UP OF CREOSOTE

1. Run the heater on high twice a day for approximately 45 minutes. This will help to burn out creosote deposits.
2. Use clean dry wood, not green wood.
3. Look out for creosote build-up on the glass and running down the flue join and on the chimney top.

### MAINTENANCE

**ASH REMOVAL** – Only remove ash when the level of ash build up is to door level. This can be easily removed with a dustpan and brush, emptying into a metal container which can then be taken out and deposited in the garden. Leave a 10mm layer of ash in the bottom of the firebox.

**GLASS CLEANING** – Only clean the glass when the fire is not alight. This can be done with a soap pad to remove creosote marks or a recommended heater glass cleaner.

**GLASS REPLACEMENT** – If the glass breaks, simply undo the two screws at the back of the door, remove pieces of glass and seal strip. We advise that you renew the glass seal strip.

### CLEANING OF PAINTED SURFACES

Use a damp cloth on all surfaces. Do not use Brasso or any other abrasive products.

### CHIMNEY CLEANING

At least once a year the chimney and flue must be cleaned. Simply remove the baffle plate, which is situated in the firebox, before sweeping the flue.

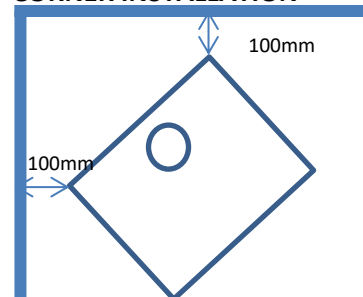
### FUEL

- Use only hardwood that has been air dried in a ventilated stack
- Do not burn wet or green wood
- Do not burn treated or painted timber as the flames may be dangerous
- Do not burn driftwood as the salt may corrode the firebox

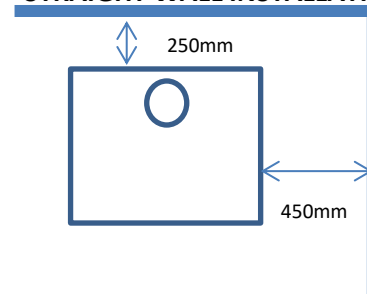
### CLEARANCES FROM COMBUSTIBLE MATERIALS: CONVECTION & RADIANT

#### **CONVECTION (Jumbo, Innovator, Rhapsody, Convector):**

##### **CORNER INSTALLATION**

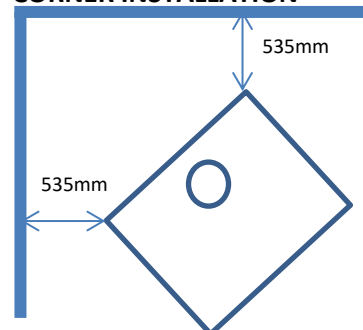


##### **STRAIGHT WALL INSTALLATION**

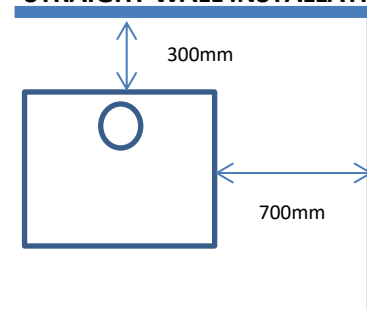


#### **RADIANT (Pioneer and Swagman):**

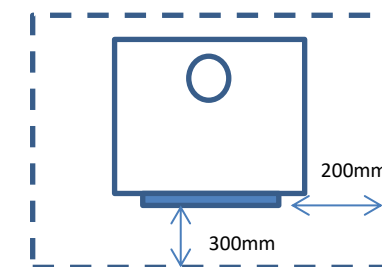
##### **CORNER INSTALLATION**



##### **STRAIGHT WALL INSTALLATION**



#### **CLEARANCES – COMBUSTIBLE FLOORING**



The diagrams above illustrate the minimum clearances required for installation of all Jarrahdale Freestanding Wood Heaters next to combustible walls. When wall materials are combustible, such as timber, a half round Safety Flue Guard with a minimum height of 1000mm is required. A wood heater may be installed closer than shown if wall materials are not considered combustible, such as brick or plaster, or if the wall is protected by an additional shield. Please consult with your Jarrahdale Heating sales representative for further advice.

If the wood heater is to be installed onto combustible flooring such as carpet, vinyl, cork, timber, a hearth is required with a clearance of 300mm at the front and 200mm either side of the wood heater door.

## IMPORTANT About Curing PAINT

Your stove has been painted with the highest quality silicone stove paint and has special break-in procedures to cure it with heat and to make it hard.

- Ventilate the house during the first three times the stove is used. The paint on the stove will give off smoke and has an odour. Without adequate ventilation, concentrations of smoke could irritate or be upsetting, so open doors and windows and use a fan if necessary. After these initial burns the paint will be cured and there should be no more smoke
- Don't touch the surface. It will be soft and gummy during this paint curing phase. Once cured, it will not be soft again.
- Most stoves cure with 3 burns. The first two should be 250 degrees F for 20 minutes, (about a third of a normal fire.) Let the stove cool down between burns. The last fire should be 500 degrees F to 700 degrees F for at least 45 minutes, (a normal fire). The point being, cure slowly without a hot fire.
- Stoves with a cooler surface temperature and those that have been painted with another colour before, will take longer to cure.
- Curing can usually be observed by the effect of the paint turning flat as the heat radiates out from hotter parts of the stove.

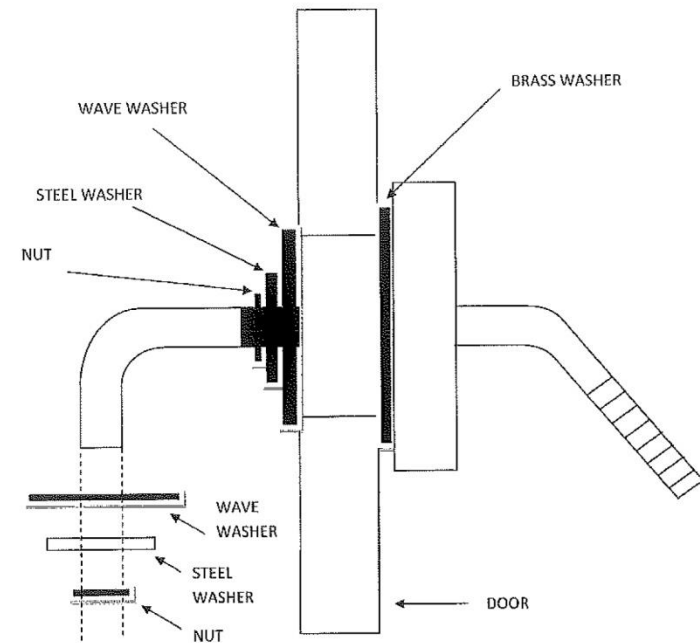
SO...

- Ventilate well
- Do not touch during curing
- Cure with 3 burns
- Call Jarrahdale Heating and Cooling for any questions

***No liability taken by Jarrahdale Heating if these***

***Instructions are not followed.***

## HANDLE ASSEMBLY INSTRUCTIONS



## LIGHTING A JARRAHDALE FIRE

1. Place crumpled newspaper in firebox with kindling on top.
2. Move the Temperature control to high position (bottom air slide on Rhapsody, Innovator & Jumbo models only)
3. Move Air Boost Control to "On" (This is the main air control for Pioneer, Swagman and Convector models)
4. Light the fire then close the door.
5. DO NOT USE FLAMMABLE LIQUIDS as these could be dangerous, as well as damaging the firebox.
6. After kindling has taken, add larger pieces of wood and close door, keeping Boost control ON until fire is well alight; then move Boost control to OFF. (Pioneer, Swagman & Convector models use boost control as main air in, can leave this out for longer periods)
7. Thereafter logs may be added (with ends near the glass) to aid air flow.
8. Each time you add more wood to the fire, leave Boost control ON, until fire has taken again, usually about 10 minutes. Temperature control can then be moved to the desired HI, MEDIUM or LOW position and Boost control to OFF. (Rhapsody, Innovator & Jumbo models only)
9. A bottom layer of ash will build up to form a base for a new fire. This only needs cleaning when the ash reaches door height. Often the ash still retains hot embers that only need some kindling added and boost control opened to restart a new fire.
10. Never overload the heater 2/3rds is maximum.
11. Always keep the door closed during normal heater operation.

## FAN OPERATION (optional- Rhap, Innov, Jumbo or Convector)

**Three Position Fan** – OFF / LOW / HIGH

**Important** – FAN NOT TO BE USED WHEN HEATER IS IN SLOW COMBUSTION (Temperature control "LOW" setting) or OVERNIGHT BURN

**High Fan** – Use when Temperature is set to "HIGH" only and when heater is hot, preferably for short periods (20min)

**Low Fan** – Use when Temperature is set to "HIGH" only for longer periods

**NOTE: INBUILT HEATERS – YOUR INBUILT HEATER FAN MUST BE RUNNING DURING OPERATION. IT CAN BE SWITCHED OFF FOR OVERNIGHT BURN WHEN AIR CONTROLS ARE ON LOW**

## SLOW COMBUSTION

The Jarrahdale heater is designed to be operated as a slow combustion heater. This means, once a base of hot embers is established, larger logs can be added. Close the Boost control and adjust the Temperature control to LOW after approximately 10 minutes.

Thus the combustion rate is slower and the fire burns slowly for many hours. However, slow combustion heaters tend to create creosote, which is quite easily controlled. Creosote occurs when a fire smoulders for a long time, thus not generating enough heat to burn the smoke driven out of the wood and this smoke or gas condenses on all cool surfaces to form creosote. It occurs on the glass door as a black smoke mark and inside the flue itself. Creosote sticks to the sides of the flue with some running down into the firebox.

*\*Temperature control slide is only present on Rhapsody, Innovator & Jumbo models*

**1. WARNING: ANY MODIFICATION OF THE COMPLIANCE THAT HAS NOT BEEN APPROVED IN WRITING BY THE TESTING AUTHORITY IS CONSIDERED AS BREACHING AS/NZS 4013.**

**2. WARNING: DO NOT USE FLAMMABLE LIQUIDS OR AREOSOLS TO START OR REKINDLING THE FIRE.**

**3. WARNING: DO NOT USE FLAMMABLE LIQUIDS OR AREOSOLS IN THE VICINITY OF THIS APPLIANCE WHEN IT IS OPERATING.**

**4. WARNING: DO NOT STORE FUEL WITHIN HEATER INSTALLATION CLEARANCES.**

**5. WARNING: OPEN AIR CONTROL (AND DAMPER WHEN FITTED) BEFORE OPENING DOOR.**

**6. CAUTION: THIS APPLIANCE SHOULD NOT BE OPERATED WITH A CRACKED GLASS.**

**7. CAUTION: THIS APPLIANCE SHOULD BE MAINTAINED AND OPERATED AT ALL TIMES IN ACCORDANCE WITH THESE INSTRUCTIONS.**

**8. CAUTION: THE USE OF SOME TYPES OF PRESERVATIVE TREATED WOODS AS A FUEL CAN BE HAZARDOUS.**

## JARRAHDAL HEATING & COOLING INBUILT COMBUSTION STOVE INSTALLATION

**WARNING: THE APPLIANCE AND FLUE SYSTEM SHALL BE INSTALLED IN ACCORDANCE WITH AS/NZS 2918 AND THE APPROPRIATE REQUIREMENTS OF THE RELEVANT BUILDING CODE OR CODES.**

**WARNING: APPLIANCE INSTALLED IN ACCORDANCE WITH THIS STANDARD SHALL COMPLY WITH THE REQUIREMENTS OF AS/NZS 4013 WHERE REQUIRED BY THE REGULATORY AUTHORITY, I.E. THE APPLIANCE SHALL BE IDENTIFIABLE BY A COMPLIANCE PLATE WITH THE MARKING "TESTED TO AS/NZS 4013".**

**ANY MODIFICATION OF THE APPLIANCE THAT HAS NOT BEEN APPROVED IN WRITING BY THE TESTING AUTHORITY IS CONSIDERED TO BE IN BREACH OF THE APPROVAL GRANTED FOR COMPLIANCE WITH AS/NZS 4013.**

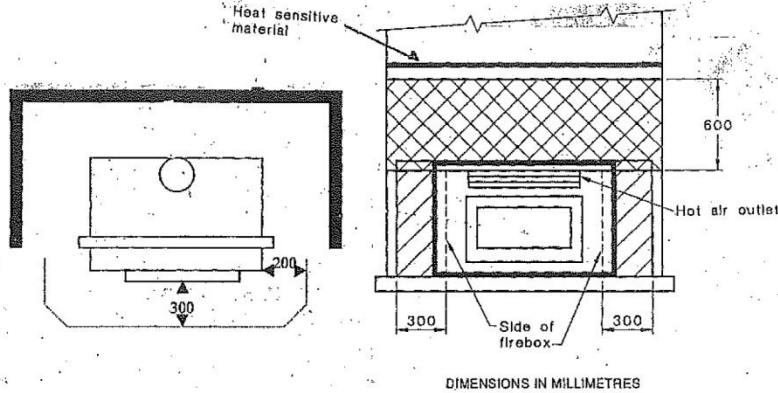
**CAUTION: MIXING OF APPLIANCE OR FLUE SYSTEM COMPONENTS FROM DIFFERENT SOURCES OR MODIFYING THE DIMENSIONAL SPECIFICATION OF COMPONENTS MAY RESULT IN HAZARDOUS CONDITIONS, WHERE SUCH ACTION IS CONSIDERED, THE MANUFACTURER SHOULD BE CONSULTED IN THE FIRST INSTANCE.**

**CAUTION: CRACKED AND BROKEN COMPONENTS e.g. GLASS PANELS OR CERAMIC TILES, MAY RENDER THE INSTALLATION UNSAFE.**

*for appliances operating as water heaters:*

**WARNING! DO NOT CONNECT TO AN UNVENTED HOT WATER SYSTEM.**

**INSTALL IN ACCORDANCE WITH AS 3500.4.1 OR NZS 4603 AND THE APPROPRIATE REQUIREMENTS OF THE RELEVANT BUILDING CODE OR CODES.**



HEAT-SENSITIVE MATERIALS EXCLUSION ZONES

## JARRAHDAL HEATING AND COOLING FLUE INSTALLATION GUIDE

1. Locate stove in desired position. A central position from windows, doors and furniture is preferred.

Note: Heat shielding may be required to protect combustables.

2. Using a plumb bob and line, mark the center of flue spigot on ceiling. Drill small hole in ceiling and check roof space for obstructions.

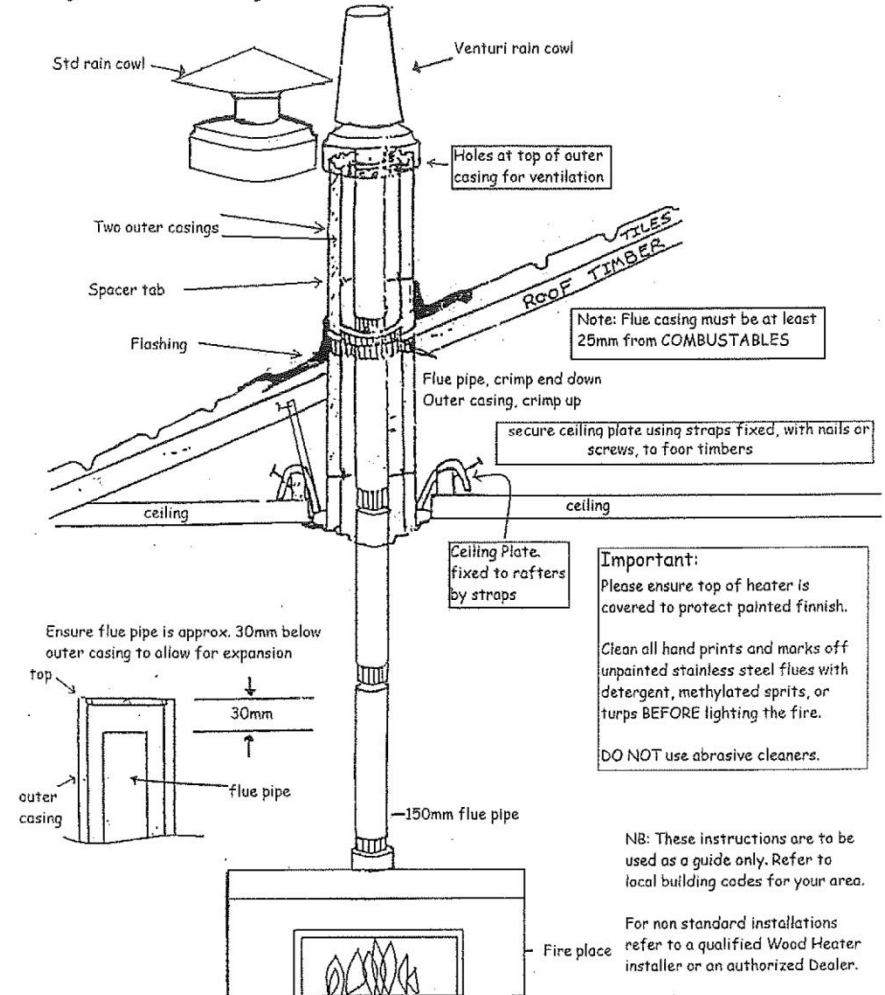
3. If clear, cut ceiling hole to 300mm dia.

4. Fix ceiling flange to position securely so that it will take the weight of the outer flue casing with ease.

5. Remove tiles, or cut hole in tin, and lower flue onto the stove, followed by the two outer flues onto the ceiling plate.

6. Position flashing around outer casing and seal.

7. Connect screw to top of outer casing with one self taping screws on each side.



## Gathering domestic firewood

**What is firewood?** Firewood is dry wood (with a moisture content of less than 20 per cent) found on the ground. It must be cut to lengths less than 50cm long when collected because wood longer than 50cm is deemed to be Craft wood, which is collected under a different license. More detail on this can be found on the **Forest Products Commission website**.

## Where can I get firewood to heat my home?

You can collect firewood yourself from areas that have firewood available. These areas can be from lands managed by the Department of Environment and Conservation or from 'other' lands such as private property. To collect from any area, you must have the permission of the land manager or landowner. Taking wood from the side of a road is not permitted if you do not have permission from the person or agency responsible for that land.

There are a number of commercial firewood suppliers that sell to the public and home deliver. Contacts for these can be found in the Yellow Pages directory or website [www.yellowpages.com.au](http://www.yellowpages.com.au).

See also **information on dieback and the importance of hygiene**.

## Further information

Please contact the **Perth Hills District Office** 9295 9100, the **Swan Region Office** 9423 2900, or the **Dwellingup Office** 9538 1078.

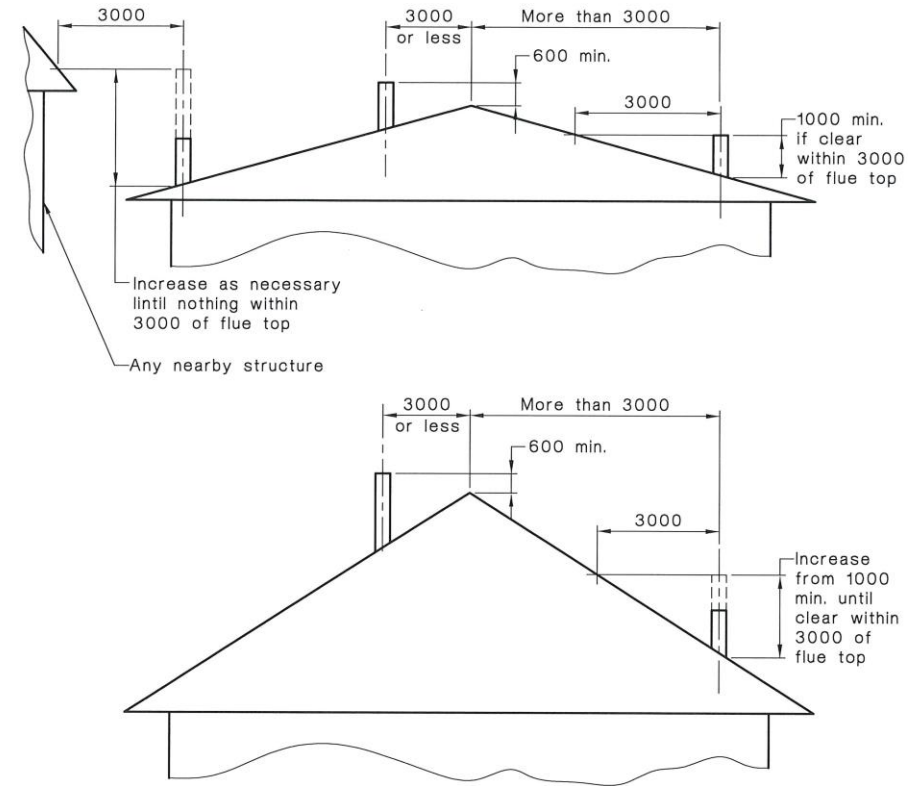


FIGURE 4.9 MINIMUM HEIGHT OF FLUE SYSTEM EXIT