

# COUCH POTATOES

## STEP 2 pick pieces

These dimensions are the same for all pieces in group  
Measurements are approximate

100 FLUFFY



SCAN TO SEE IT  
IN YOUR FABRIC

OVERALL HEIGHT	32.7"
----------------	-------

LEG HEIGHT 2"

SEAT HEIGHT	19"
-------------	-----

SEAT DEPTH 27"

OVERALL WIDTH & DEPTH	44.5"
-----------------------	-------

SEAT COMFORT ULTRA PLUSH

This collection is  
NOT available in leather

See specialist to  
build a custom sectional



**100-01 CORNER WEDGE**

\$999.99



**100-02 ARMLESS CHAIR**

\$949.99

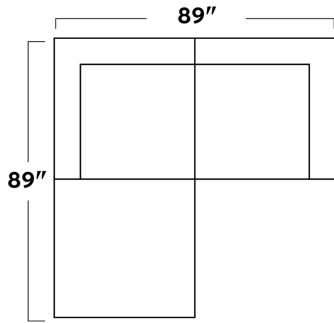


**100-03 OTTOMAN**

\$899.99

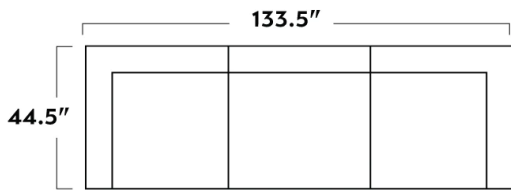
# common configurations

See specialist to create a custom sectional



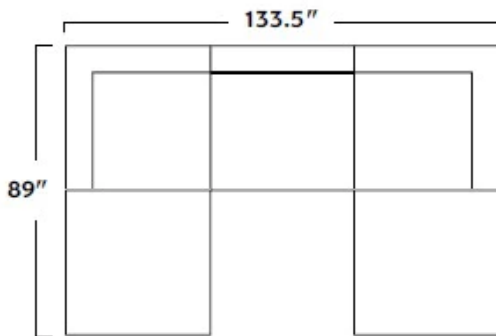
**100-01/01/03**

\$2899.99



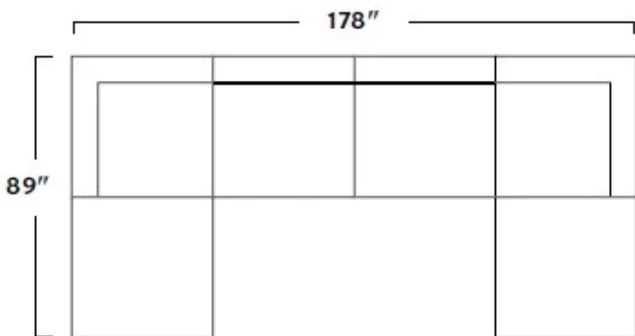
**100-01/02/01**

\$2949.99



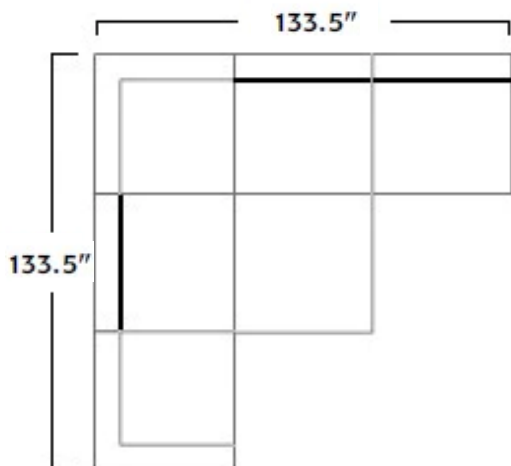
**100-02/01/02/01/02**

\$4749.99



**100-03/01/02/02/01/03**

\$5699.99



**100-01/02/01/02/02/03**

\$5749.99

Additional configurations shown online