

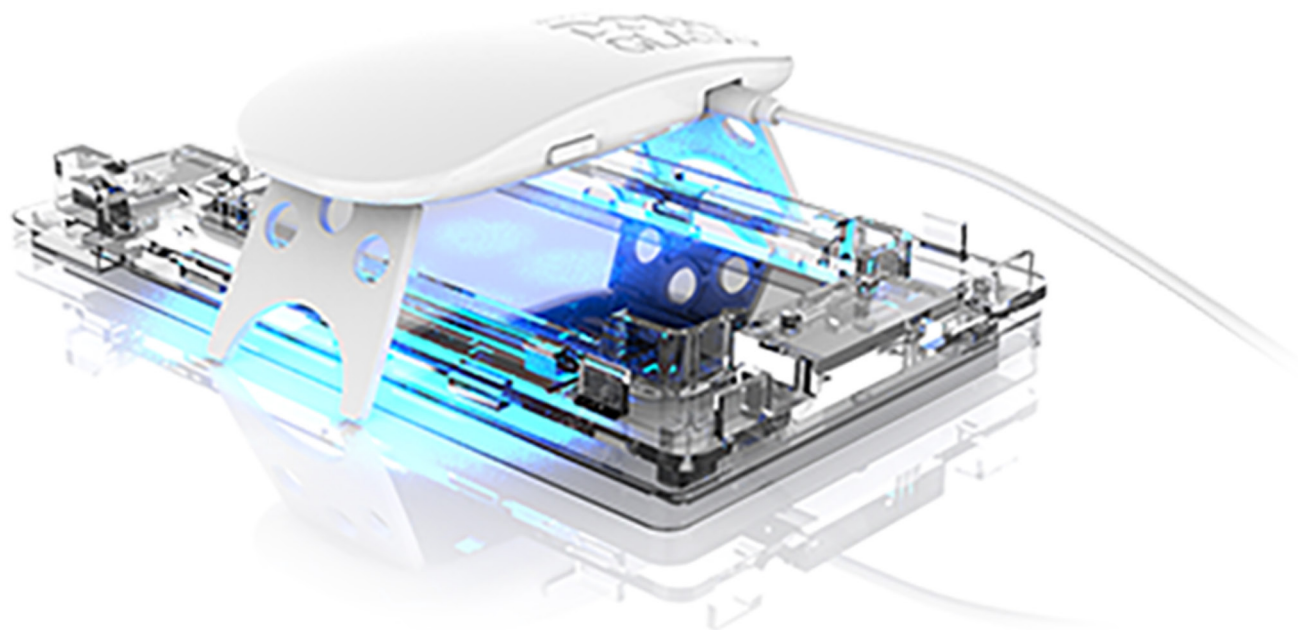
DOME GLASS[®]

Seesaw Installation User Guide

(EN)

User Guide

- Please check all manual and attachment videos before using the product.
- Products damaged or damaged by user negligence cannot be exchanged or refunded.



Seesaw Installation Guide

⚠ Please make sure to check manual and installation video before using the product.

❗ Products damaged or damaged by user usage, cannot be exchanged or refunded.



After checking the Quick guide, check the User guide.

<Quick guide / User guide>

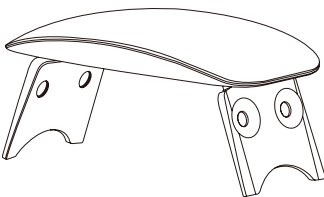
⚠ Please check the model and components before using the product.

- Match your device model with the product in advance.
- Please check all the components listed on the page3 and if there is any problem with the components, please contact us before the installation.

Cautions before Dome glass installation

- Watch the Installation video and manual carefully before start to install.
- Please see all introductions, since each device has different installation way.
- Install the Dome glass after removing any film on the screen.
- Must check if the installation spot is flat using a level meter or an app.
- Please avoid a dusty place or sunlight.
- Be careful of any impacts while getting out the jig from the box in order to prevent any damage.
- Please check whether the installation can be started within enough space.
- Be careful not to force the jig apart or break it.
- The liquid adhesive is harmless to your body but be careful not to consume it.
- If there is a problem with the subsidiary materials, please do not attempt installation and contact customer service immediately.

UV Curing Machine



Not included in the replacement kit.

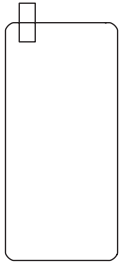
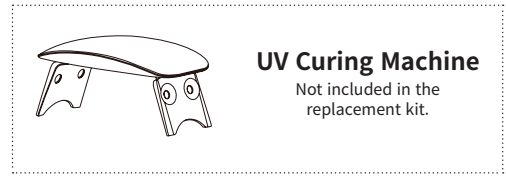
- UV curing machine recommends using 2A or higher power.
- When using low current (A) power (laptop or power bank) After the 2nd curing, proceed with 2~3 additional curing.

Seesaw Installation Guide

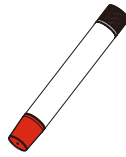
⚙️ Components

📌 Reference

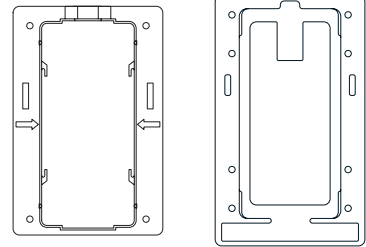
- There may be differences in components depending on the model.
- To improve the product, component's appearance or specifications etc. can be change without prior notice.
- Some components can be purchased separately if necessary.



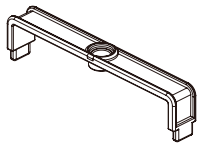
Tempered Glass



Adhesive



Jig



Position Bridge



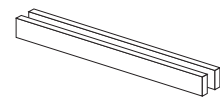
Pin



Speaker Masking Film



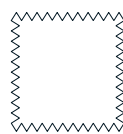
Connector Masking Film



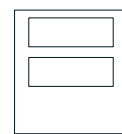
Absorption Pad



Alcohol Wipes



Cleaning Cloth



Dust Remover Sticker

Seesaw Installation Guide

Installation

STEP 1

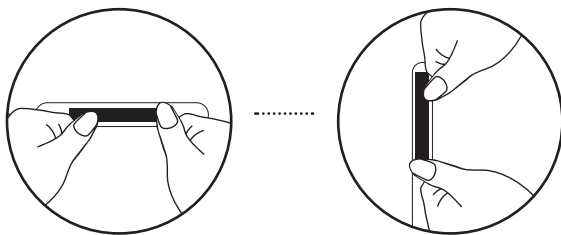
[Figure 1] Attach the connector masking films to the any buttons or holes located on the top/bottom/right/left sides. Make sure to cover hole or button thoroughly with connect masking film. Wipe the whole screen with alcohol wipes and cleaning clothes.

[Figure 2] Insert device firmly into the bottom jig by pushing down on all four sides of your device.

[Figure 3] Insert the hole of the speaker masking film into the protruding part of the bottom jig and attach it to the speaker part of the Device.

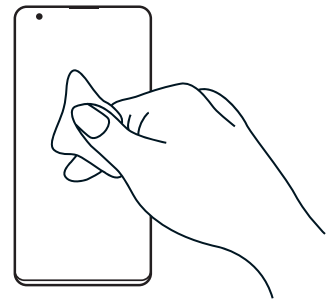


- Attach the connector masking film to prevent the inflow of adhesive. When attaching it, be careful not to cover the device screen.
- If the device is not correctly combined with the jig, the adhesive may flow when attaching it because it does not fit horizontally, so insert it accurately.
- Be careful not to touch the cleaned device screen when attaching the speaker masking film.
(*Only models containing speaker masking film)

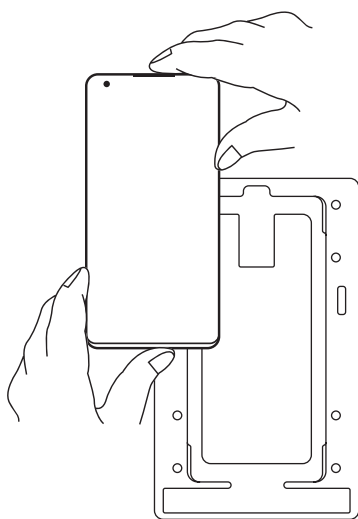


Top/Bottom

Right/Left



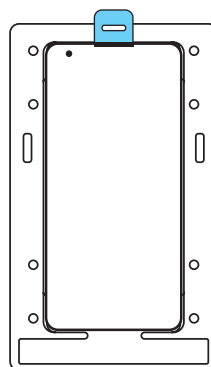
[Figure 1]



[Figure 2]

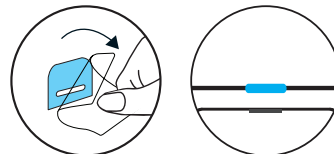
! Guide to speaker masking film

- Refer to the picture below and attach the speaker masking film suitable for the product.
(Components are subject to change without prior notice for product improvement.)

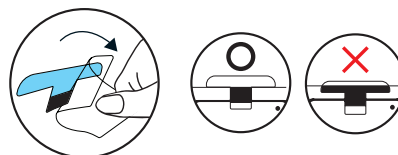


[Figure 3]

1. Hole-Type



2. General-Type



Seesaw Installation Guide

Installation

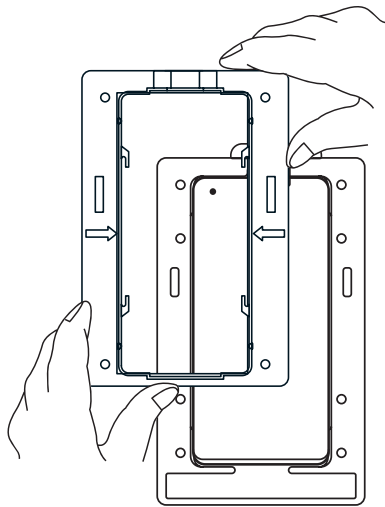
STEP1

[Figure 1] Close it with the top jig.

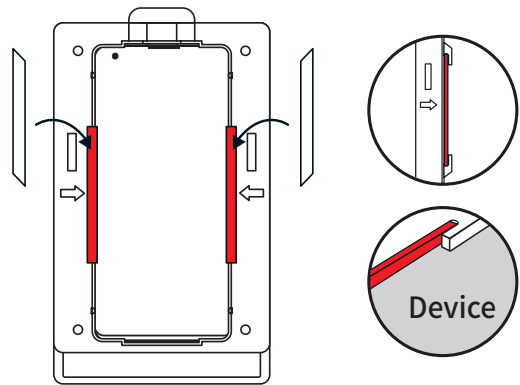
[Figure 2] After placing absorption pads on the both side in the top.

[Figure 3] Please remove all dust with the dust removal sticker provided.

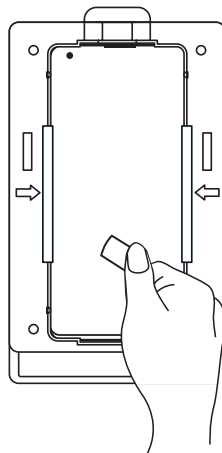
- ⚠ If the top jig is not properly combined and the horizontal level is not correct, the adhesive liquid will be able to flow at the time of attachment, so insert it correctly.



[Figure 1]



[Figure 2]



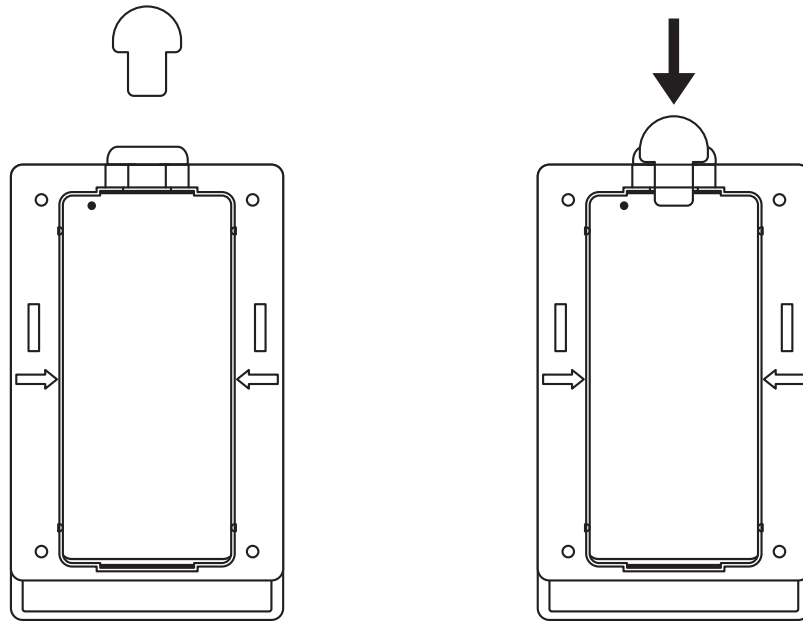
[Figure 3]

Seesaw Installation Guide

Installation

STEP 2

Insert the pin in the hole in the top part of top jig.

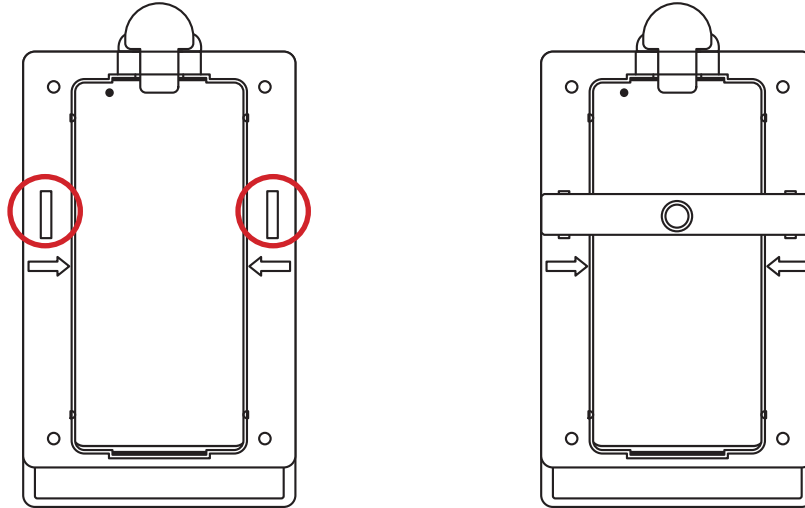


Seesaw Installation Guide

Installation

STEP 3

Place the black position bridge at the top of the jig.



Seesaw Installation Guide

Installation

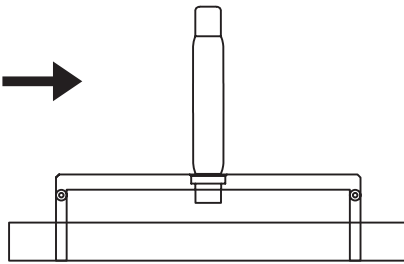
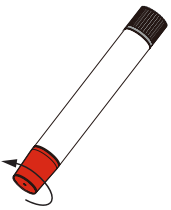
STEP4

[Figure 1] Open the color cap of the adhesive bottle and completely insert into the position bridge.

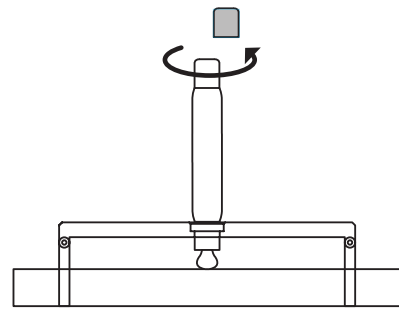
[Figure 2] Then, open the black cap to release liquid and wait 30 secs.

[Figure 3] After all the adhesive is poured out, hold the center of the jig lightly and remove the adhesive bottle and the position bridge together.

- ⚠ Only use ONE adhesive per installation. Never attempt an installation with more than one tube.
- An additional tube is provided as a courtesy in the event of an installation errors.
- If you press the position bridge too much when you use the black cap, it may not be enough or the position may be moved. So be careful.
- If the adhesive is not on the center of the screen, move the jig and place the adhesive to the center.

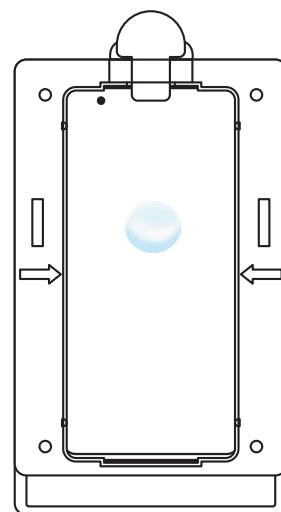
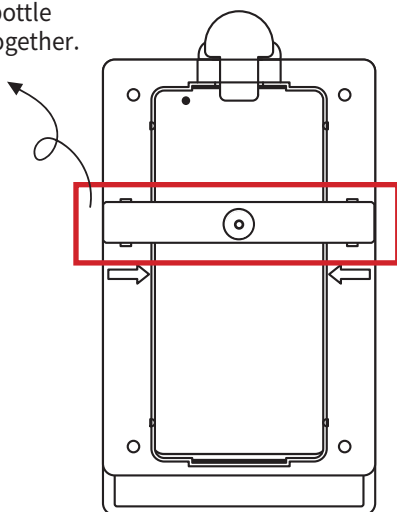


[Figure 1]



[Figure 2]

Remove the adhesive bottle and the position bridge together.



[Figure 3]

Seesaw Installation Guide

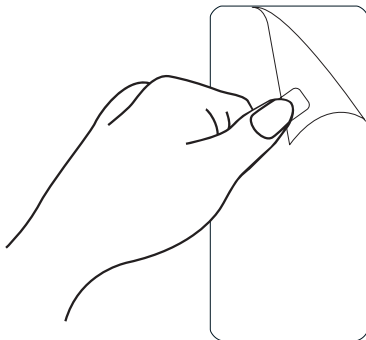
Installation

STEP5

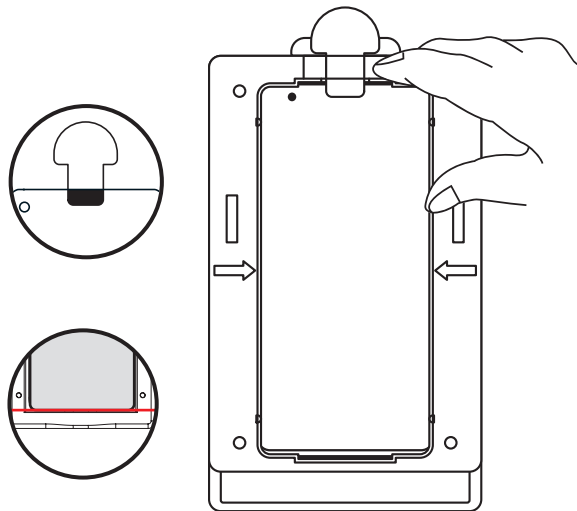
[Figure 1] After removing the liner film of the Dome glass, place the glass into the bottom part of the jig.

[Figure 2] Place tempered glass diagonally on bottom of jig and pin.

-  • Please do not throw away the liner film, you will need that when the tempered glass is not attached properly.



[Figure 1]



[Figure 2]

Seesaw Installation Guide

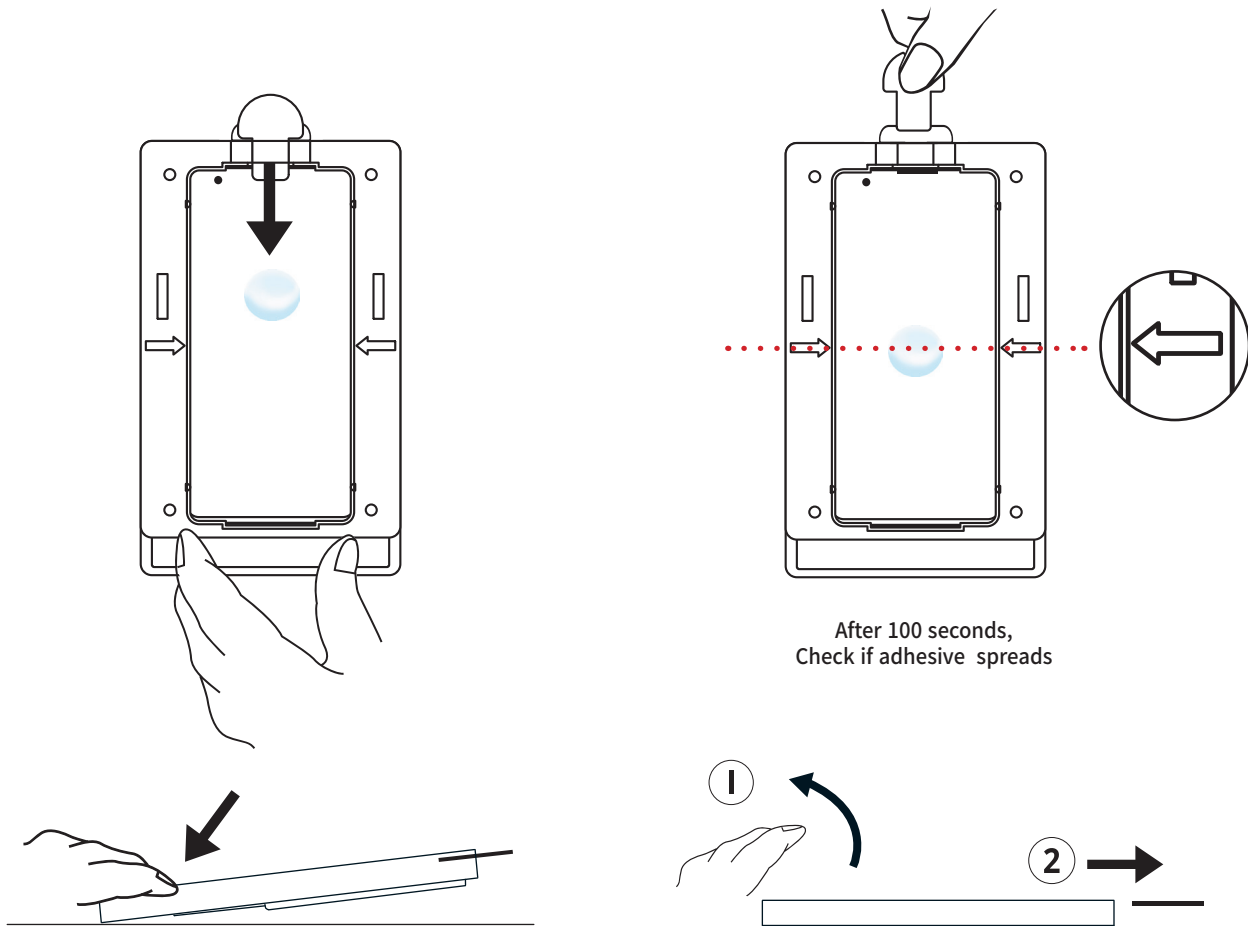
Installation

STEP 6

[Figure 1] Tilt the jig by pressing down the bottom of the jig.

[Figure 2] Once the adhesive moves and touches the tempered glass and if the adhesive is located at the arrow of the jig, ① remove hands holding down the jig and then ② remove pin of the jig.

- ⚠ Do not touch or move the jig or the Dome glass while the adhesive spreads.
- Please proceed with curing after confirming that the adhesive is completely spread.



[Figure 1]

[Figure 2]

- ⚠ Adhesive doesn't spread completely on the screen!
 - Please check the manual and the video for re-installation.



<Re-installation Manual/Video>
before curing

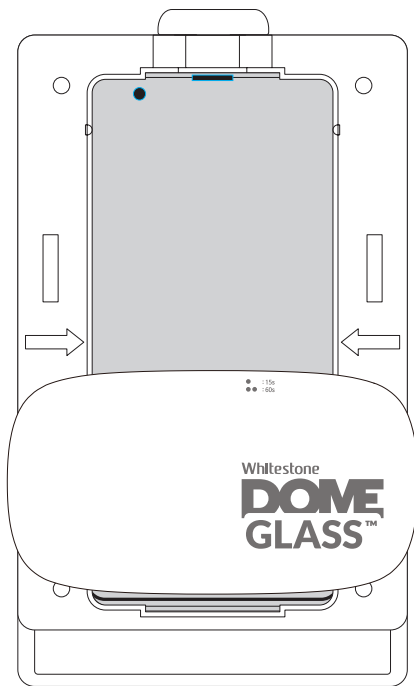
Seesaw Installation Guide

Installation

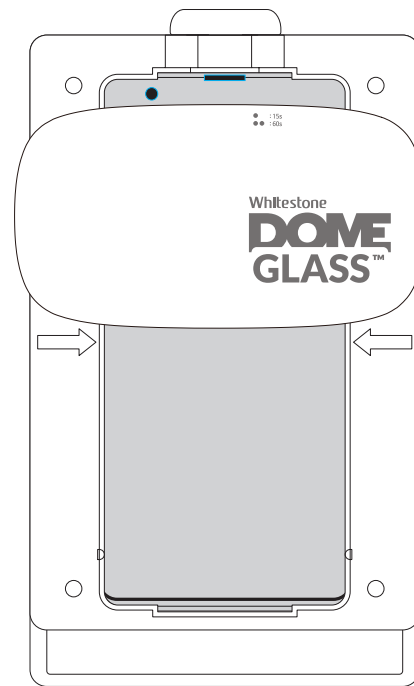
STEP 7

Once the glass is successfully attached, use the UV light included to initially cure your device for 15 seconds each on the bottom half and top half of the screen. Take out the device from the jig and remove all the connector masking films. Wipe any liquid adhesive from the edges of the screen with alcohol wipes.

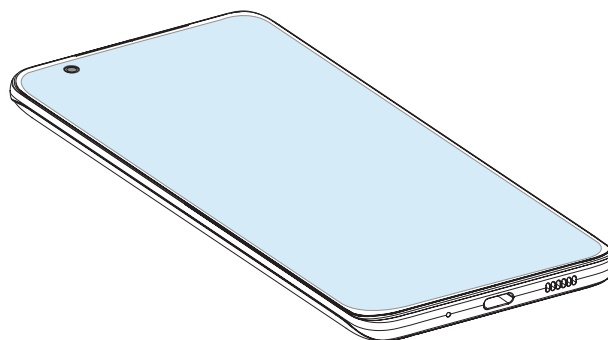
- ⚠ After the primary curing process, remove the *speaker masking film and the absorption pads. (*Only models containing speaker masking film)
- When cleaning your device after 1st curing process, please wipe it in one direction.
- If you wipe it with too much force, it may cause lift/bubble issues.



Bottom:15s



Top:15s



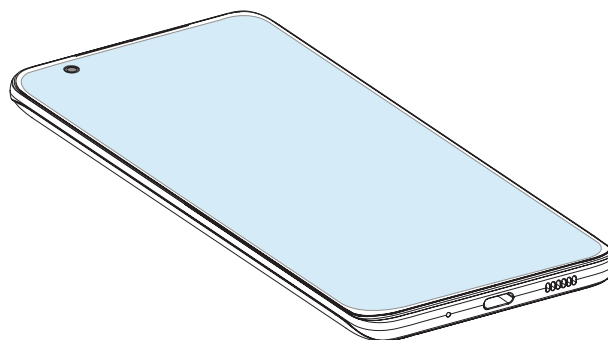
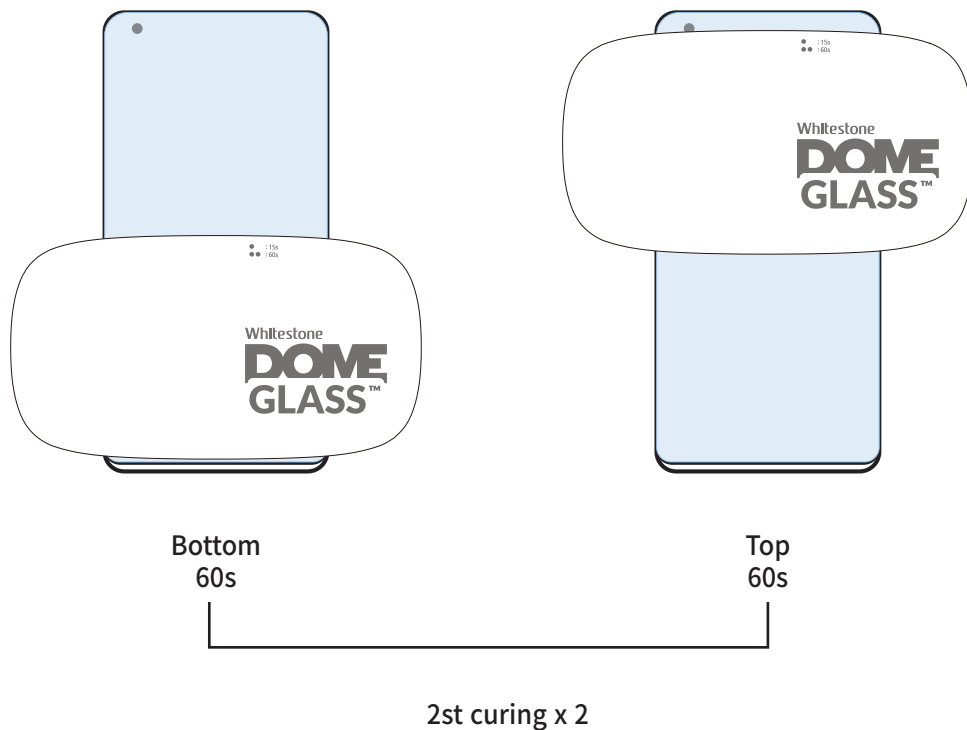
Seesaw Installation Guide

Installation

STEP 8

After placing the wiped clean device on the floor, use the UV light for the secondary curing process for 60 seconds for the bottom part and 60 seconds for the top part. Repeat this and cure for 1 more minute on both the top and the bottom. (Total curing time: top 135 seconds and bottom 135 seconds)

- After attaching the tempered glass, re-register the fingerprint.
- To improve touch sensitivity after attaching the tempered glass, please enable Touch Sensitivity in the device setting.
- When tempered glass is attached, the performance of the fingerprint recognition sensor may be affected.



Seesaw Installation Guide

⚠ Please check the installation Guide.

Precautions after installation

- Dome glass may be damaged by impacts or external strength.
- Although Dome glass includes shatter-resistant film, recommend users change the Dome glass to new one once glass is broken in order to prevent any harm.
- Bubbles or lifting may occur by physical impacts such as drop impact, incompatible phone cases use, excessive strength while cleaning with alcohol wipes or etc.
- No refund or exchange for any type of user damages.
- Refer to the Reuse of Jig manual when reusing the jig.

Precautions when removing the tempered glass

- When removing the tempered glass from the device, face it towards the ground before removing.
- Remove it outdoors or near a trash can.
- Use your fingernails and slowly lift the glass from the corner to remove it.
(Removing it suddenly could lead to damages or injuries)

※Global A/S※

CONTACT US

feedback@whitestonedome.com

HOMEPAGE

www.whitestonedome.com
> WARRANTY REQUEST

We always provide friendly and fast service to your questions.

WHITESTONE Ltd.

27, Baekseokgongdan7-ro, SeoBuk-gu, Cheonan-si,
Chungcheongnam-do, Republic of Korea

