



GATE ALARM

Powerful and foolproof design to ensure maximum safety and security for your home

SAY GOODBYE TO GATE MOTOR



SecureRite
Distributors

CONTACT US

SecureRite is a security products and secure access equipment distributor and a retail outlet based in the west of Johannesburg.

For best results, try us!

011 764 1146/76

13 Celeste Cres, Discovery, Roodepoort

www.secure-rite.co.za

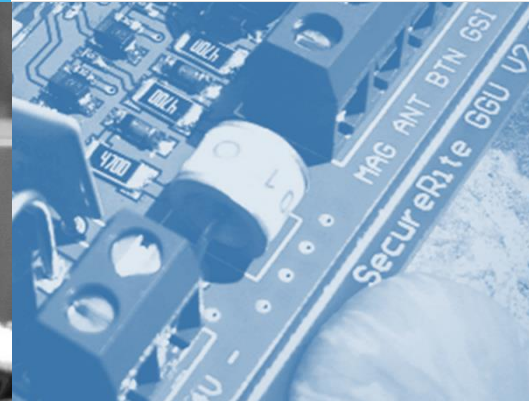
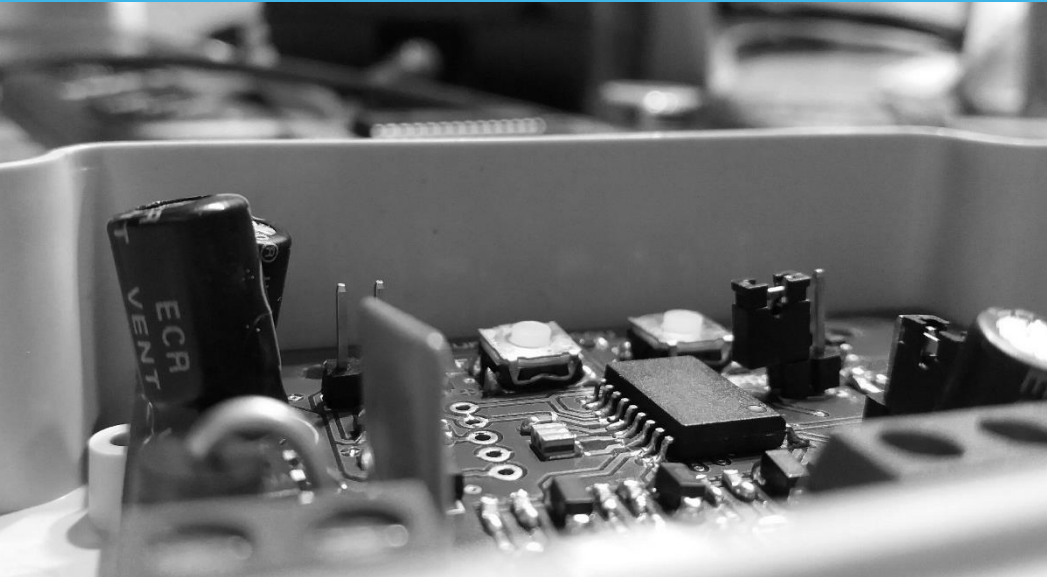
sales@secure-rite.co.za

Entrance Gate Electronic Security Guard

Link your gate to a 24-hour monitoring unit and have peace of mind

Innovative, cost effective and reliable

Long term low cost reliable solution compatible with a wide range of gate motors and customer requirements.



Prohibit Forced Entry & Gate Lifting

The unit goes into alarm if the gate does not open from a legitimate gate opener – remote or house pushbutton.

Gate Motor Anti-theft & Anti-tamper

Provides tamper input that can be used to trigger the alarm in case an intruder attempts to tamper with the motor.

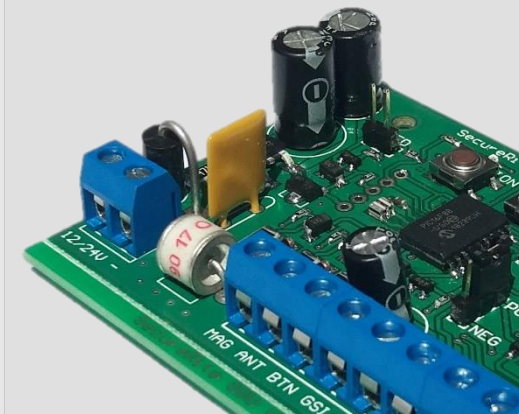
Features and Benefits

- Detects intrusion attempts on sliding and swing gates.
- Protects against gate motor theft.
- Can be linked to an existing alarm System and configured as a 24-hour zone.
- Link it directly to a radio transmitter and connect to response companies – works perfectly with any GSM module.
- Configure it as a standalone system connect it to a siren.
- Automatically detects a legitimate gate opening remote trigger.

INSTALLATION PACKAGES

Install GGU as a **Standalone** unit or **Link it to an Existing Alarm System.**

Required for Installation: GGU Board, Heavy Duty Wide Gap Door Contact, 1 Channel Transmitter, 1 button Remote, 1 Channel Long Range Receiver, Door Contact, 15W Siren (for Standalone Unit), Enclosure (optional)



Avoid Gate Jamming

It will go into alarm or trigger the alarm if the gate stays open longer than the specified/programmed time.

Activate Panic Mode

GGU offers a panic facility that can be linked to control button.

INSTALLATION & WIRING

Standalone

Easy to install

In standalone, a siren is connected to the SRN (Siren) Output and a receiver or control button is connected to the BTN (Button) input on the GGU board. A remote or a button can be used to arm or disarm the GGU and to stop the siren.

Required

- GGU Board
- Siren
- Heavy Duty Wide Gap Door Contact
- 1 Channel Receiver
- 1 Button Remote
- Door Contact
- Enclosure (optional)

Arming and Disarming a Standalone unit

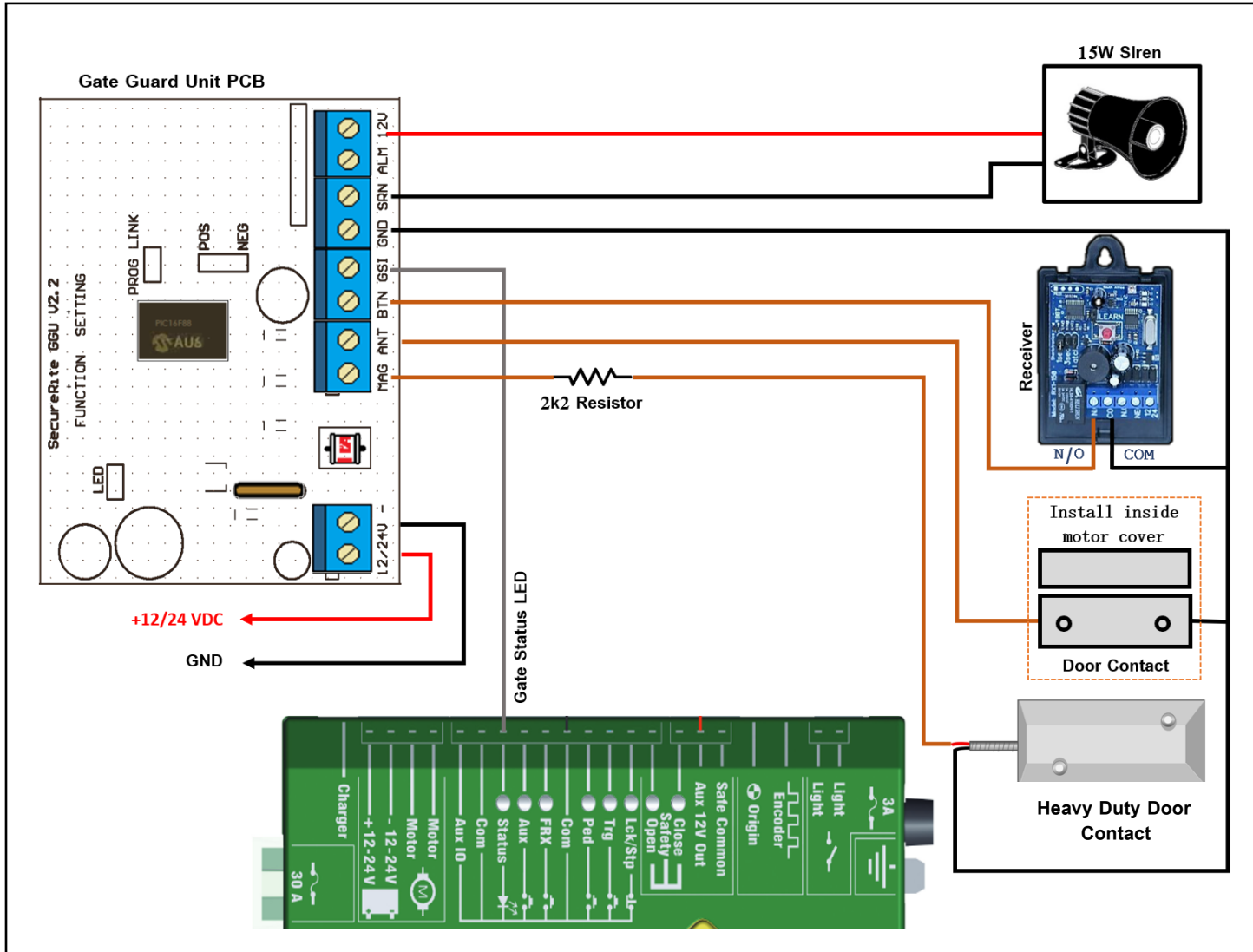
Use a remote or button to arm and disarm the unit. On GGU V2.2 Squawk is permanently activated; 1x Squawk – arming, 2x Squawk – disarming.

To Reset the Unit After Alarm

Press the remote or button to stop the siren during the alarm. Press the button again to completely disarm or to arm the unit.

Automatic Arming

If the gate is open, first close the gate, then open and close the gate. The unit will be armed after a few seconds.

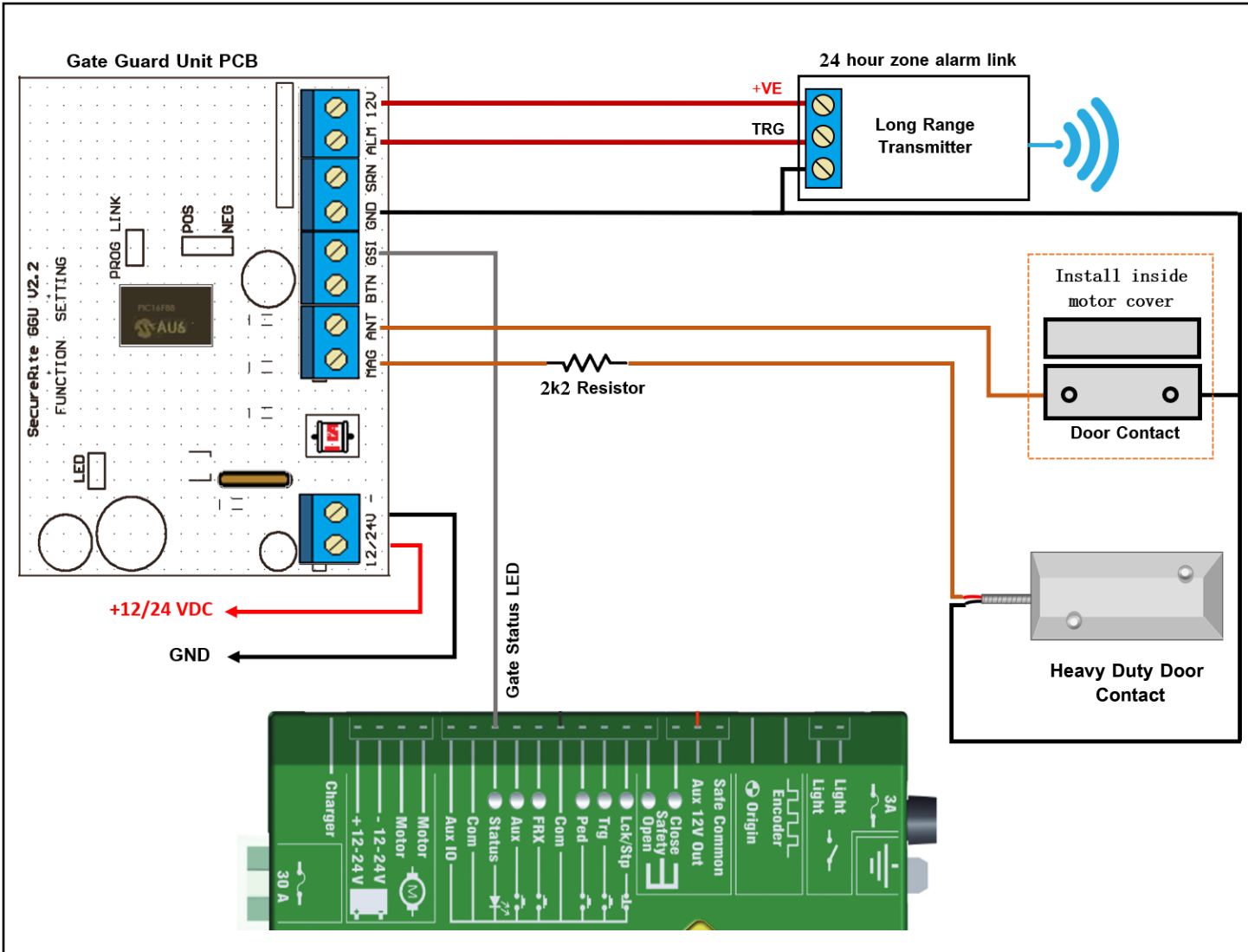


INSTALLATION & WIRING

Alarm Linked

User friendly

In Linked System a relay would be connected to ALM (Alarm/GSM Pulse) output – this output can be set to either positive or negative trigger. The relay triggers a 24-hour zone on your alarm system.



Required

- GGU Board
- Heavy Duty Wide Gap Door Contact
- 1 Channel Receiver (Long Range recommended)
- Long Range Transmitter
- Door Contact
- Enclosure (optional)

Arming and Disarming the Alarm Linked unit

If the gate is open, first close the gate, then fully open and close the gate to arm the unit. To completely disable any alarm trigger from the Gate Guard Unit, bypass the corresponding zone on your alarm system.

To Reset the Unit After Alarm

If the gate is open, first close the gate. Fully open and close the gate. The unit will be armed after a few seconds.

To Link GGU to Alarm

This requires a Transmitter & Receiver pair. Connect the transmitter Trigger input to the "ALM" of the GGU. Wire the receiver as a Zone to the alarm panel. It is advisable to program this zone as 24Hr Zone.

Wiring Description

Inputs & Outputs

Guaranteed long term solution

No need for you to worry about your gate motor being stolen, tampered with or intruders forcing their way into your property anymore.

MAG COM		Magnetic contact (gate contact) input; MUST be connected in series with 2k2 resistor.
ANT COM		Can be used to protect the motor for theft or tempering - Connect magnetic (door contact) between ANT and COM, no resistor required.
BTN COM		External control button with the following functionality: <ul style="list-style-type: none">• To arm and disarm the GGU• To turn off the Siren during alarm activation (only if siren is connected directly to the GGU)• Can be used to activate a Panic alarm with a 3 seconds press. Connect N/O and COM of the receiver/ Push button between BTN and COM.
GSI COM		Must be connected to the Status LED output and Common of the gate motor for the GGU to function properly.
SRN COM		SRN is the negative trigger for the siren; siren must be connected between positive 12V and SRN.
ALM COM/POS		Alarm output can be configured as a positive trigger or a negative trigger by putting the on-board jumper to the required selection. E.g. if a relay is used, connect the negative side of the relay to ALM output, and positive of the relay to 12V if the negative selection jumper is on.

Status Indicators

LEDs OFF but power connected, GGU is disarmed.

FUNCTION LED blinking Slow, GGU is armed.

FUNCTION LED blinking Fast, GGU is in alarm.

FUNCTION LED solid ON, GGU is in programming Mode (program link must be bridged).

FUNCTION LED and SETTING LED alternating, GGU was in alarm. GGU was possibly not reset and is not armed. Follow the reset steps on Page 2 & 3.

FUNCTION LED blinking Slow and SETTING LED solid ON. GGU went into alarm and was reset. The GGU is armed.

Programming Instructions

Programming Instructions

MENU		Default	Count type	
1	Gate open time	2 Minutes	1 flash = 1 min	15 flashes = 15 minutes
2	SRN output time	2 Minutes	1 flash = 1 min	15 flashes = 15 minutes*
3	ALM output time	2 seconds	1 flash = 1 sec	5 flashes = 5 seconds

To get into Programming Mode

Remove power. Bridge the Programming Link (PROG LINK) with a jumper. Put power back. The Red LED will flash then stay solid. To get out of Programming Mode, just remove the jumper.

To go to a specific MENU use FUNCTION button. To select a MENU, or to confirm the setting, use the SETTING button.

Change Gate Open Time

- Once you are in programming mode, press and release FUNCTION button once.
- Red LED flashes 1 time/sec
- Press SETTING button to select Gate Open Time menu. Green LED solid on, Red LED off.
- Press FUNCTION button to set gate open time. 1 flash (Green LED) equals 1 min.
- Press SETTING button to confirm/save the time setting. Green LED goes off. Red LED Solid on.

Change Siren Time

- Once you are in programming mode, press and release FUNCTION button twice.
- Red LED flashes 2 times/sec
- Press SETTING button to select Siren Output Time menu. Green LED solid on, Red LED off.
- Press FUNCTION button to set siren time. 1 flash (Green LED) equals 1 min.
- Press SETTING button to confirm/save the time setting. Green LED goes off. Red LED Solid on.

Technical Specifications	
Input Voltage	12 – 24V DC
Standby current	11.5mA
Maximum current	95mA
MAG input MAX wiring distance	100M
Inline MAG resistor	2k2
SRN Output MAX Current	2A (25W at 12V)
ALM Output Current	50mA Max
Standby current @24VDC	45mA
MAX current @ 24V DC	128mA
Operating Temperature Range	-15C – 50C
Size	71 x 51mm

Change ALM Output Time

- Once you are in programming mode, press and release FUNCTION button three times.
- Red LED flashes 3 times/sec
- Press SETTING button to select ALM Output Time menu. Green LED solid on, Red LED off.
- Press FUNCTION button to set ALM time. 1 flash (Green LED) equals 1 sec.
- Press SETTING button to confirm/save the time setting. Green LED goes off.

Reset The Unit to Default Settings

- Take power off.
- Put PROGRAMMING link on.
- Press and hold both FUNCTION and SETTING buttons.
- Put power back on.
- Observe the FUNCTION LED, it will flash 5 times
- Then both LEDS (FUNCTION and SETTING) will solid on.
- You can now release the buttons and remove the programming link.