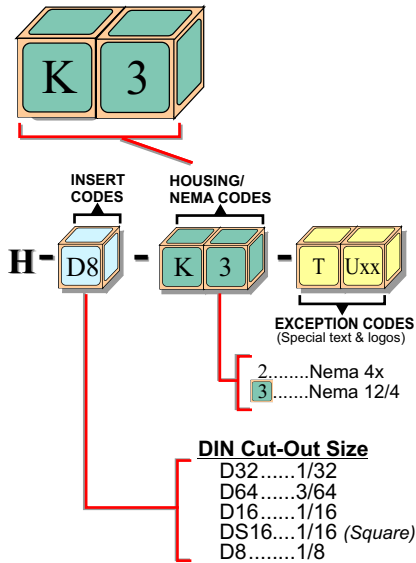
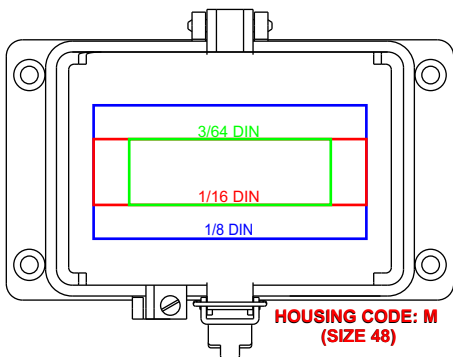


H-Series THRU-VIEW™ DIN Housings Nema Type 12/4/4X - IP65 Rating



ThruView™ Housings



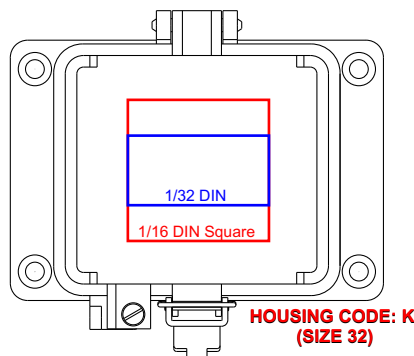
Catalog Numbers

DIN Cut-Out Required	Nema 12/4	Nema 4X
1/32	H-D32-K3	H-D32-K2
3/64	H-D64-M3	H-D64-M2
1/16	H-D16-M3	H-D16-M2
1/16 Square	H-DS16-K3	H-DS16-K2
1/8	H-D8-M3	H-D8-M2

DIN Housings with No Inserts

6 Position	H-X-B3	H-X-B2
16 Position	H-X-F3	H-X-F2
24 Position	H-X-H3	H-X-H2
32 Position	H-X-K3	H-X-K2
48 Position	H-X-M3	H-X-M2

DIN SIZE	INSERT DIMENSIONS (inches [mm])	HOUSING SIZE	HOUSING CODE
1/32	.874 x 1.772 [22.2 x 45]	32	K
3/64	.874 x 2.677 [22.2 x 68]	48	M
1/16	.874 x 3.622 [22.2 x 92]	48	M
1/16 Square	1.772 x 1.772 [45 x 45]	32	K
1/8	1.772 x 3.622 [45 x 92]	48	M



SPECIFICATIONS, ELECTRICAL

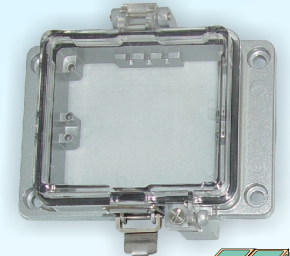
Low voltage (data), limited to 30 VDC
High voltage supply (for computer use only)
120 VAC, 15A (UL), 5A (CSA)
230-240 VAC, 16A (CE only)

SPECIFICATIONS, MECHANICAL

Housing: Cast AL Base
Finish: Powder Coating, Black-800 Hour Salt Rating
Latch: Type 304 Stainless Steel (1CR18Ni19)
Cover: Polycarbonate, UV rated, V-O Flame rated
Gasket: Thermoplastic elastomer
Insert Material: Acrylic UL94HB

APPROVALS

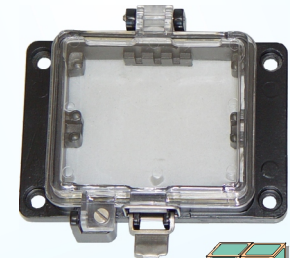
UL® **CSA**® **RoHS**
UL RECOGNIZED: E207344 Type 4/4X/IP-65 (outdoor use)
CSA: LR110845 (not for interrupting circuit)
CE: EN61010/EN60950 (Foreign Power Outlets)



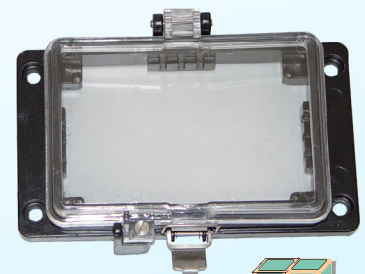
HOUSING CODE: K 3



HOUSING CODE: M 3



HOUSING CODE: K 2



HOUSING CODE: M 2



GRACE
ENGINEERED
PRODUCTS, INC
www.GracePort.com

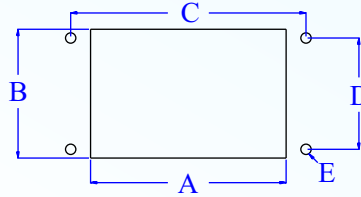
5001 Tremont Avenue
Davenport, IA 52807
(800) 280-9517 Fax: (563) 386-9639

©2007 Grace Engineered Products, Inc. DataSheets:HSeries:12/2007
GracePort® is a registered Trademark of Grace Engineered Products, Inc

H-Series DIN Housings Mounting & Cut-Out Dimensions

Mounting
Dimensions (inches [mm])

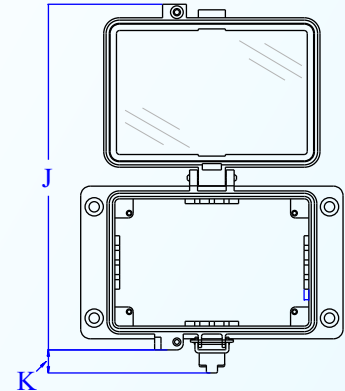
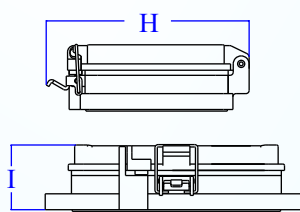
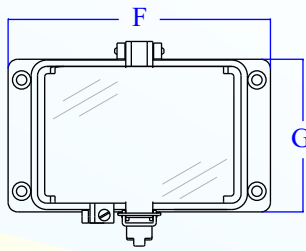
Housing Code	A	B	C	D	E
B	2.1 [53]	1.4 [36]	2.7 [69]	1.3 [32]	.17 [4.5]
F	3.4 [86]	1.4 [36]	4.0 [102]	1.3 [32]	.17 [4.5]
H	4.4 [113]	1.4 [36]	5.1 [130]	1.3 [32]	.17 [4.5]
K	3.4 [86]	2.9 [74]	4.4 [113]	2.8 [70]	.25 [6.4]
M	4.8 [123]	3.2 [81]	5.8 [148]	2.8 [70]	.25 [6.4]



Overall
Dimensions (inches [mm])

Housing Code	Weight (oz)	F	G	H	I	J	K
B	3.8	3.15 [80]	1.7 [43.6]	3.2 [81.23]	1.65 [42.3]	5.3 [135]	1.0 [24]
F	5.1	4.4 [113]	1.7 [43.6]	3.2 [81.23]	1.65 [42.3]	4.9 [124]	.6 [15]
H	5.9	5.5 [140]	1.7 [43.6]	3.2 [81.23]	1.65 [42.3]	4.9 [124]	.6 [15]
K	10.8	5.1 [129]	3.5 [90]	4.8 [121.6]	1.65 [42.3]	8.3 [210.2]	.6 [15]
M	13.2	6.5 [165]	3.8 [96]	5.0 [127.6]	1.65 [42.3]	8.6 [217.4]	.6 [15]

Drawings available at www.grace-eng.com



**ThruView™
Housings**

**Your Logo
Adds Value**



Always Visible