

SABAI

FOR LIFE
ON EARTH

The Essential Sofa

Wrench-Based Assembly Method | Starting with Order #4158

Welcome to Sabai

FOR LIFE ON EARTH

Sabai is designed for Life on Earth.

We've minimized your furniture's impact on the environment, from the materials, to the manufacturing process, to programs to extend its life cycle.

Our products are 100% vegan and are made from a combination of recycled, upcycled, and biodegradable materials. We utilize mechanical fasteners (rather than glue)

This guide makes assembly a cinch. If you still have questions, you can reach our customer service team at **customer@sabai.design** and we'll respond within 48 hours.

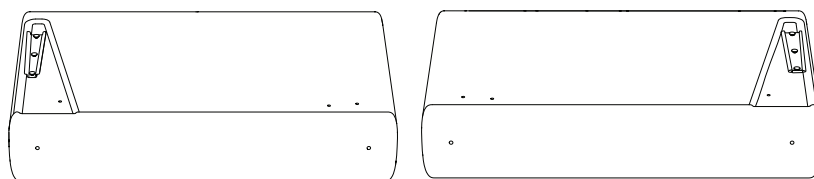
to ensure that our materials remain recyclable and that we are keeping our manufacturing team safe.

To make sure our sofas stay out of landfills, we've launched two programs under our Sabai Standard: The Repair Don't Replace and Closed Loop programs.

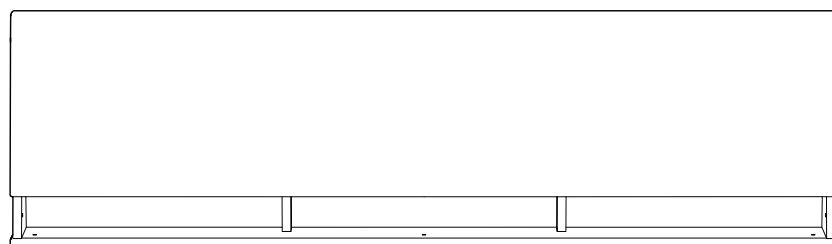
After a simple assembly, you can rest easy with Sabai.

Components

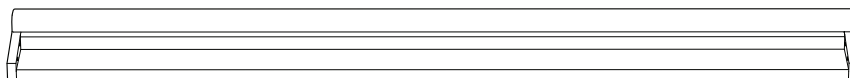
ARMS
X2



BACK



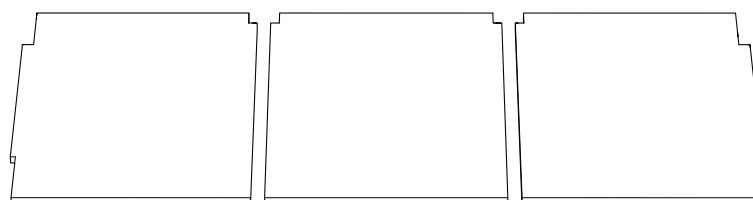
FRONT RAIL



SEAT CUSHION



SEAT PANELS
X3



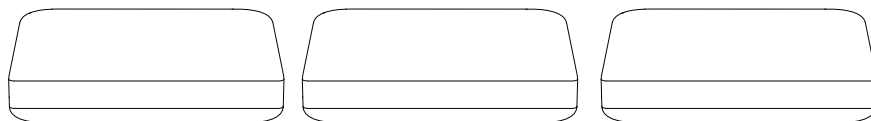
LEFT

MIDDLE

RIGHT

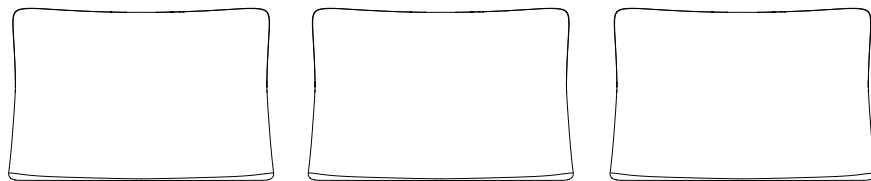
BACK PILLOWS

X3



**BACK PILLOW
COVERS**

X3

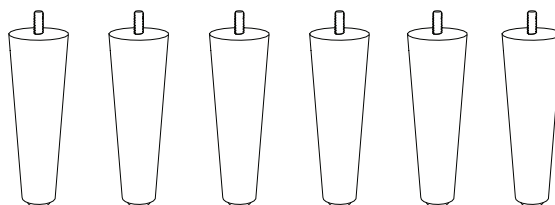


RATCHET WRENCH



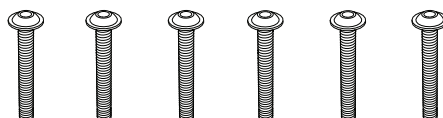
LEGS

X6



METAL BOLTS

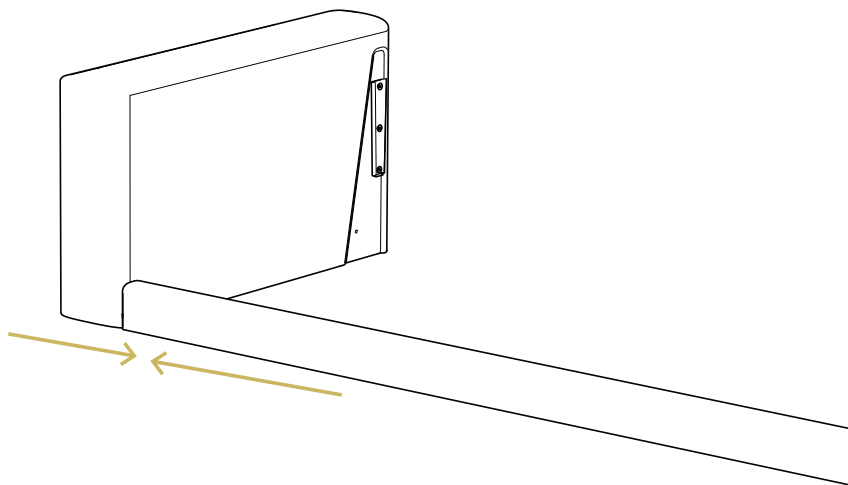
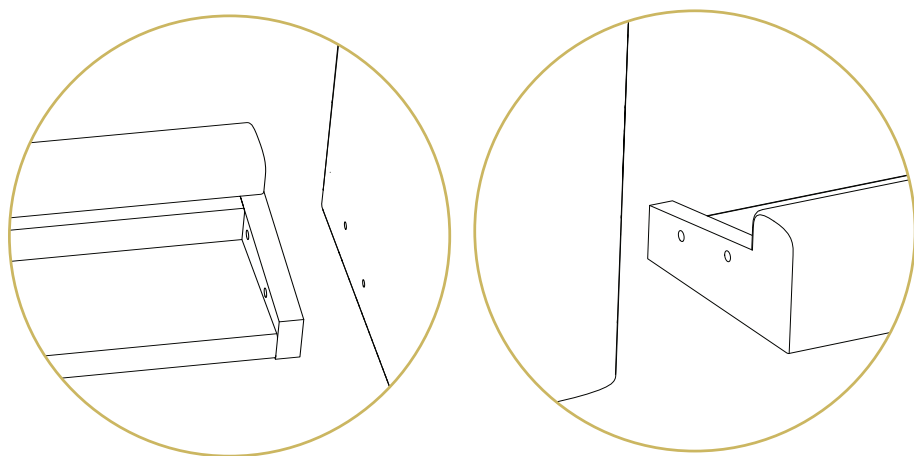
X6



1

Secure Front Rail

A Line the front rail up with an arm.

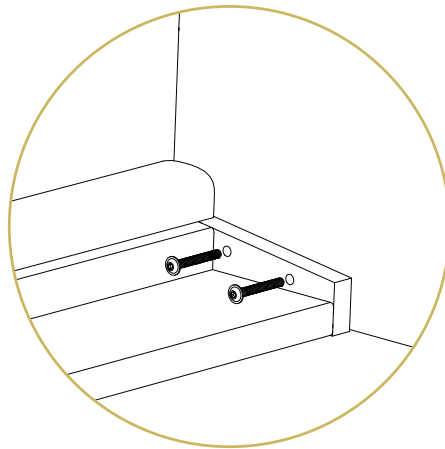


1

Secure Front Rail

B

Take 2 bolts and insert them into the holes in the front rail that line up with the holes on the arm.



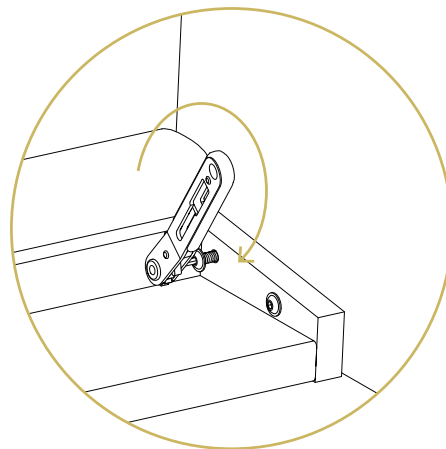
1

Secure Front Rail

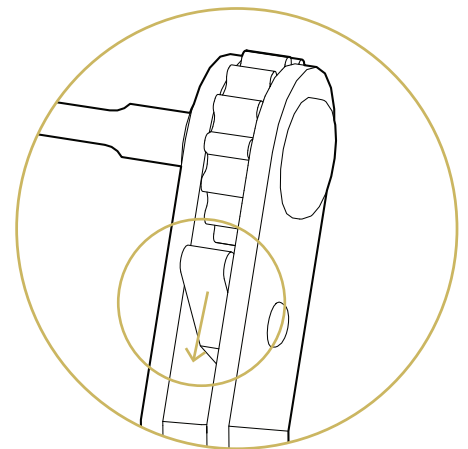
C

Use the ratchet wrench to tighten the bolts until they are firmly in place. The ratchet wrench allows you to tighten the bolt without having to remove the wrench from the bolt each time you have reached the limit of how far it can go in that direction. Instead, you can simply go back in the opposite direction without moving the bolt and continue tightening. The same applies when you are loosening a bolt.

Make sure the switch on the side is flipped down when tightening, and up when loosening. Repeat with the other arm



**+ REPEAT ON
OTHER SIDE**



FLIP DOWN = TIGHTEN

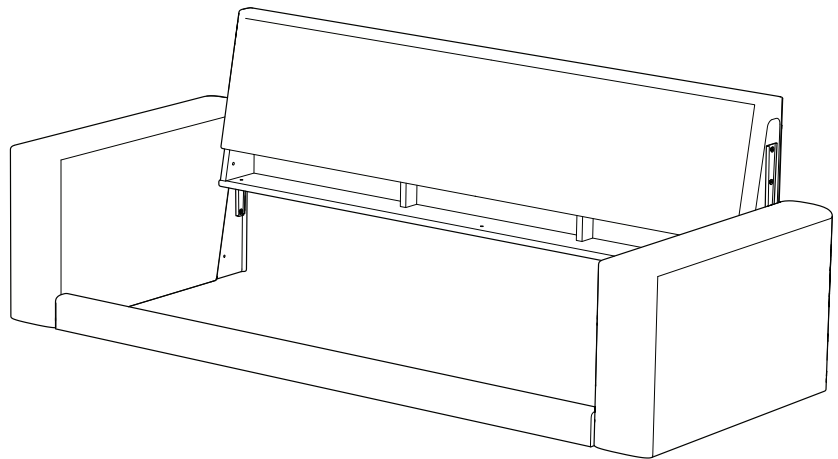
FLIP UP = LOOSEN

2

Slide in Back

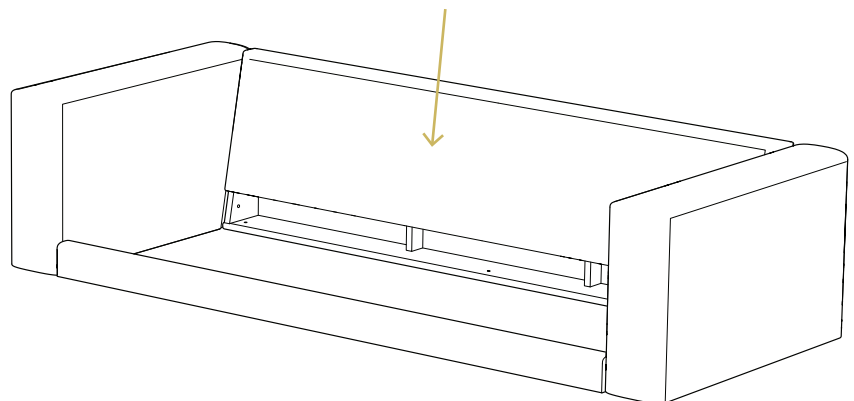
A

Take the back piece and line the brackets on the sides of the back with the brackets on each arm.



B

Make sure they are lined up before sliding the back piece down.

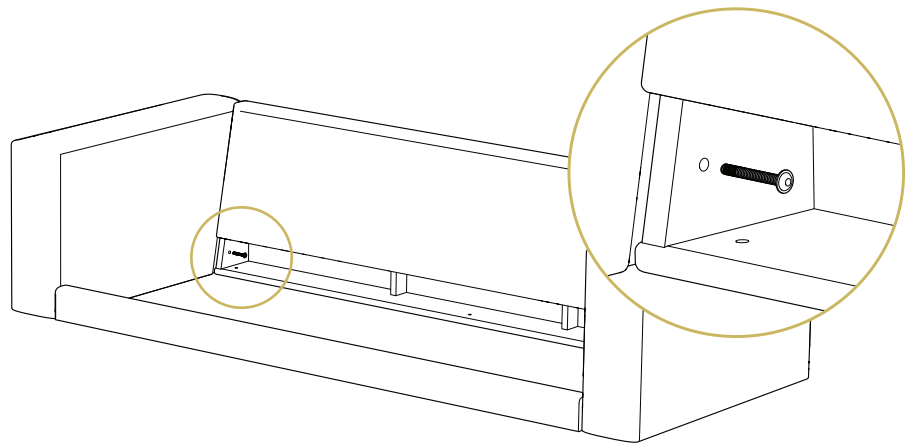


3

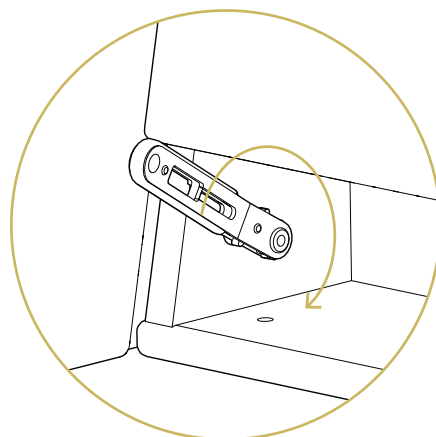
Secure Back

A

Take 1 bolt and insert it into the hole on the back cavity that lines up with a hole on the arm.

**B**

Tighten the bolt until firmly in place. Repeat with the other side of the front rail/arm.



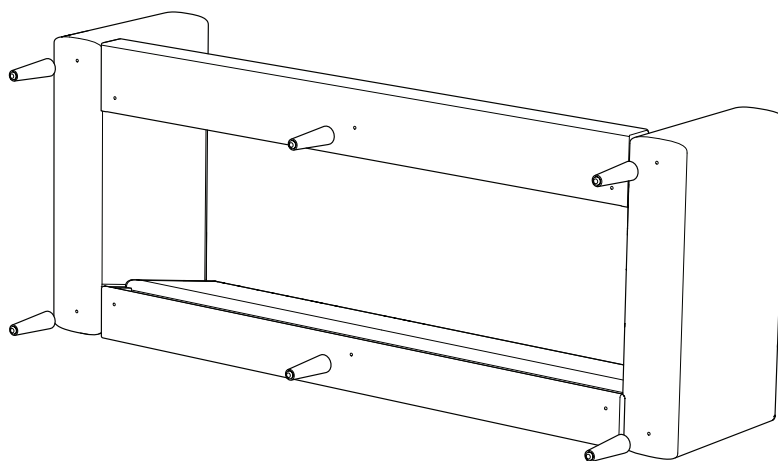
**+ REPEAT ON
OTHER SIDE**

4

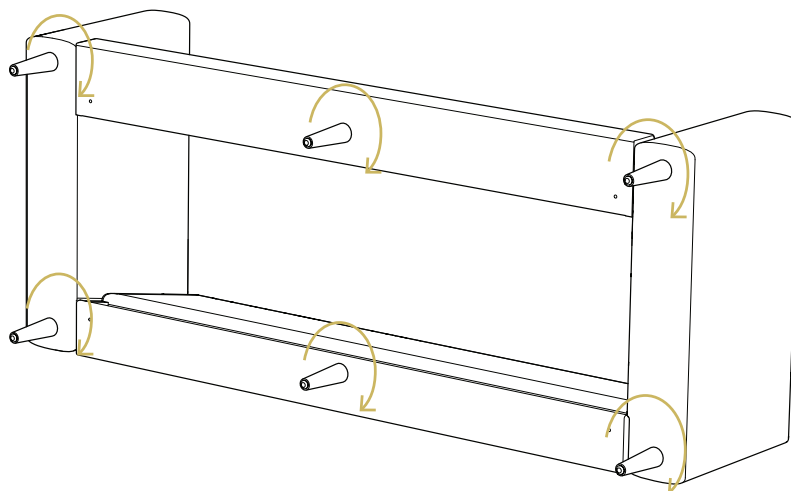
Screw in Legs

A

Flip the sofa onto its back.

**B**

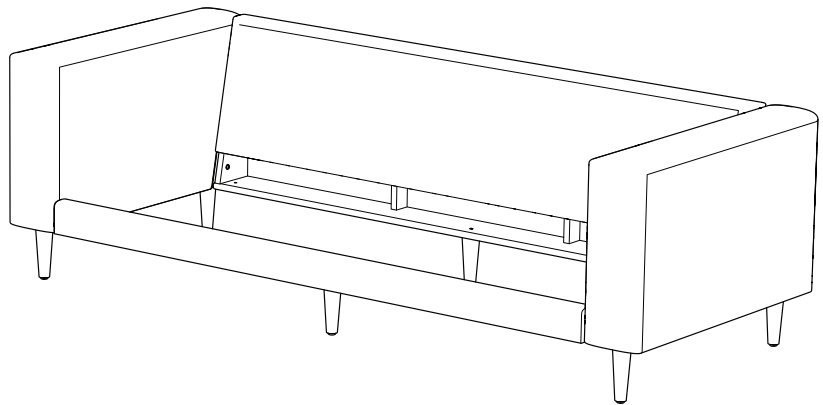
Screw in the legs.



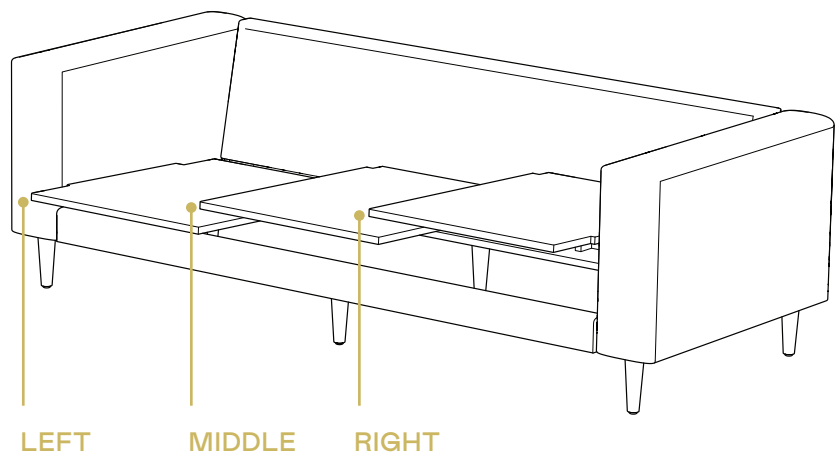
5

Lay Platforms

- A** Flip sofa right side up. Lay platforms across the back and front rail.



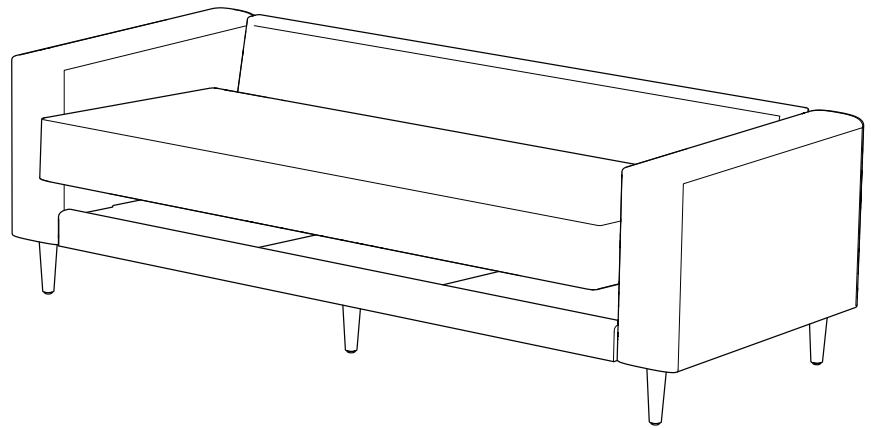
- B** Platforms should lie at an angle, slightly raised in the front to ensure a comfortable seating pitch.



6

Add Cushion

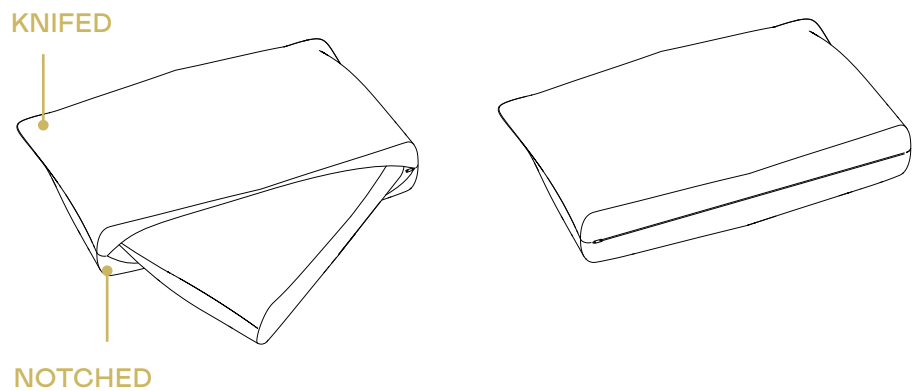
- A** Place the seat cushion onto the sofa.



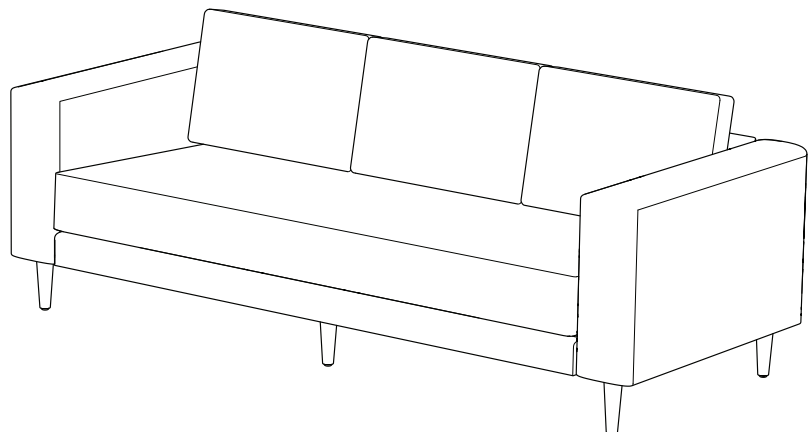
7

Stuff & Add Pillows

- A** Stuff each pillow into a pillowcase, making sure that the “knifed” and “notched” edges match with the pillowcase.



- B** Place the pillows at the back of the sofa.





SABAI.DESIGN