

SABAI

FOR LIFE  
ON EARTH

# The Essential Sectional

Wrench-Based Assembly Method | Starting with Order #4158

\*Redesigned Ottoman Connector (2 Pieces)

# Welcome to Sabai

---

## FOR LIFE ON EARTH

Sabai is designed for Life on Earth.

We've minimized your furniture's impact on the environment, from the materials, to the manufacturing process, to programs to extend its life cycle.

Our products are 100% vegan and are made from a combination of recycled, upcycled, and biodegradable materials. We utilize mechanical fasteners (rather than glue)

This guide makes assembly a cinch. If you still have questions, you can reach our customer service team at **customer@sabai.design** and we'll respond within 48 hours.

---

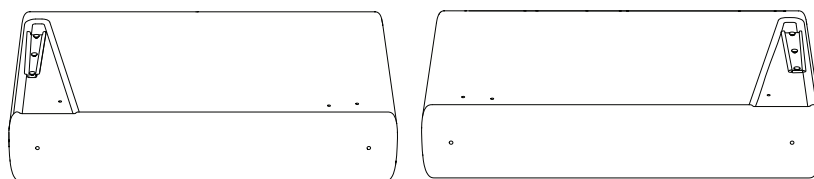
to ensure that our materials remain recyclable and that we are keeping our manufacturing team safe.

To make sure our sofas stay out of landfills, we've launched two programs under our Sabai Standard: The Repair Don't Replace and Closed Loop programs.

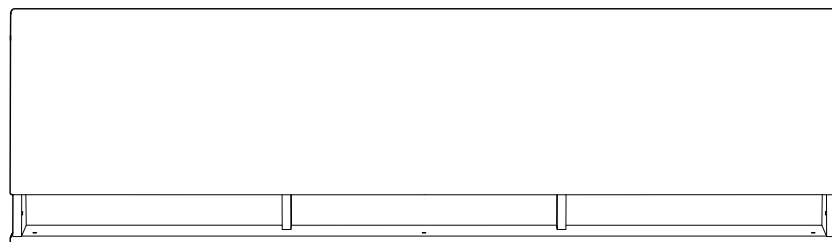
After a simple assembly, you can rest easy with Sabai.

# Components

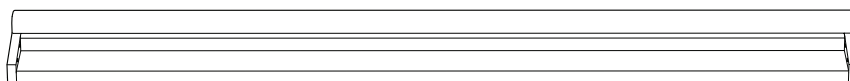
**ARMS**  
X2



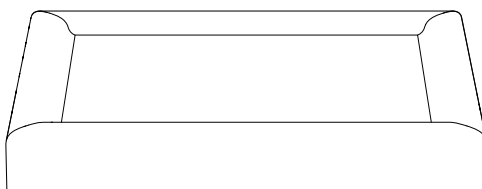
**BACK**



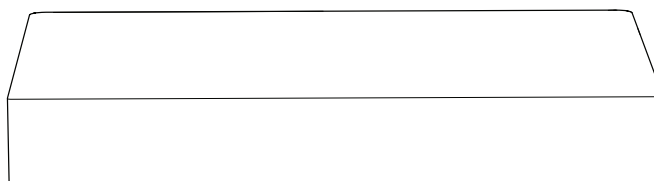
**FRONT RAIL**



**OTTOMAN BASE**

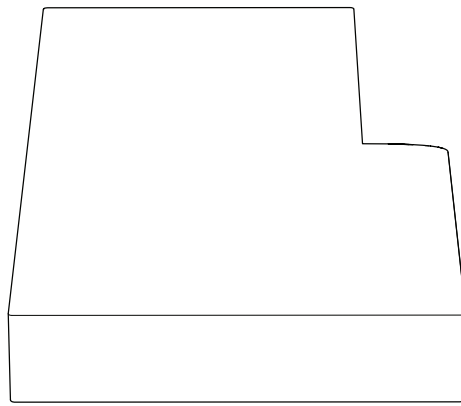


**LOVESEAT CUSHION**



---

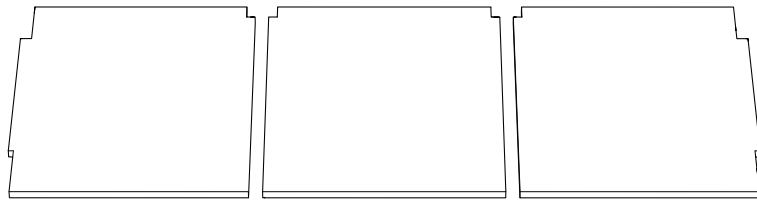
**CHAISE CUSHION**



---

**SEAT PANELS**

X3



LEFT

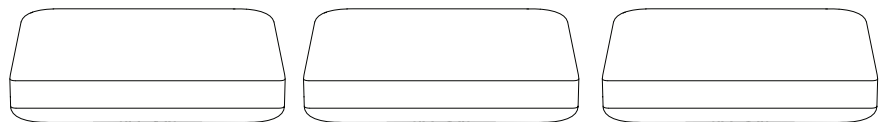
MIDDLE

RIGHT

---

**BACK PILLOWS**

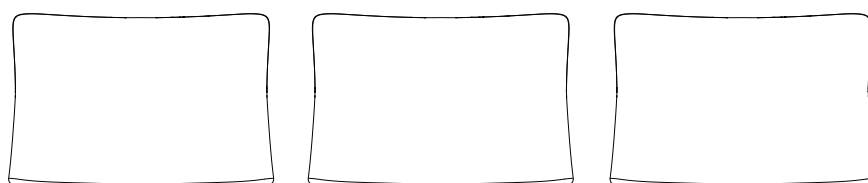
X3



---

**BACK PILLOW  
COVERS**

X3



---

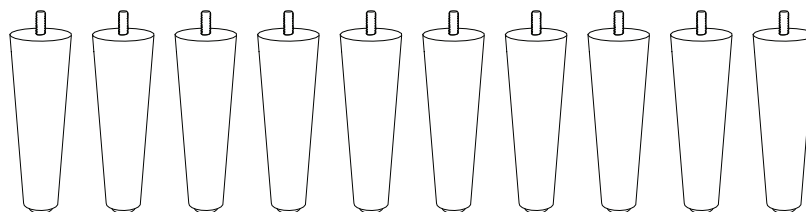
**RATCHET WRENCH**



---

**LEGS**

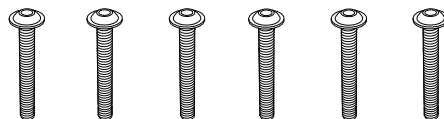
X10



---

**METAL BOLTS**

X6

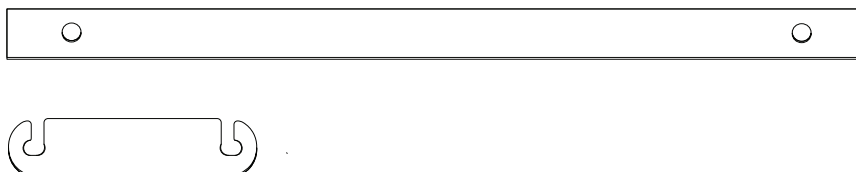


---

**OTTOMAN  
CONNECTORS**

FABRIC STRIP X1

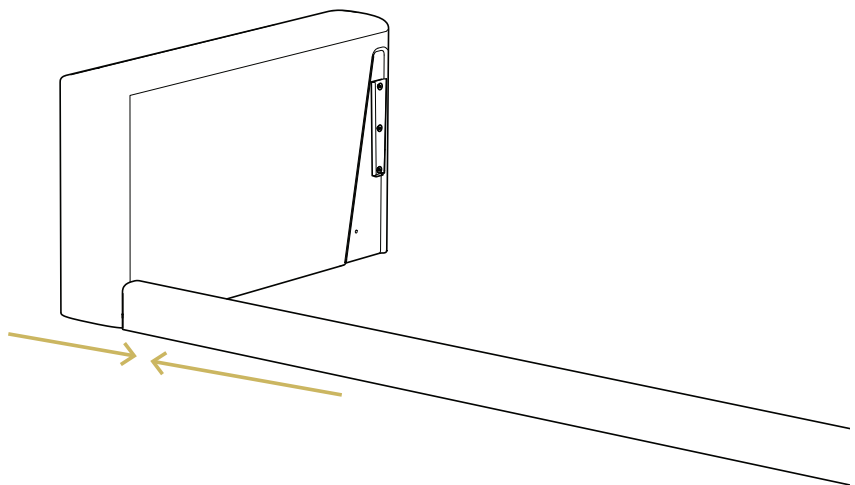
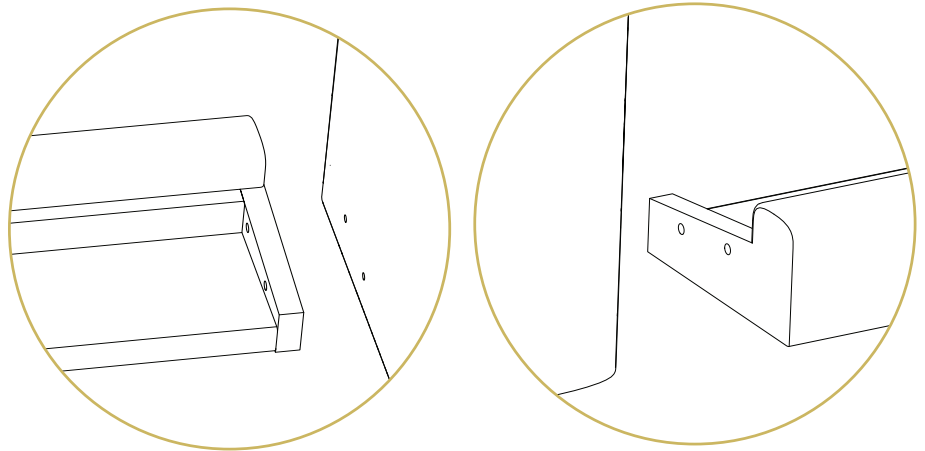
METAL LEG TO LEG X1



## 1

# Secure Front Rail

A Line the front rail up with an arm.



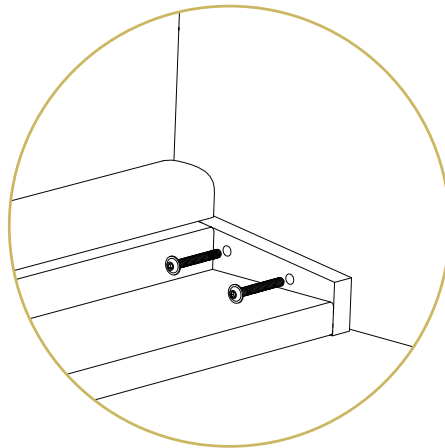
# 1

## Secure Front Rail

---

**B**

Take 2 bolts and insert them into the holes in the front rail that line up with the holes on the arm.





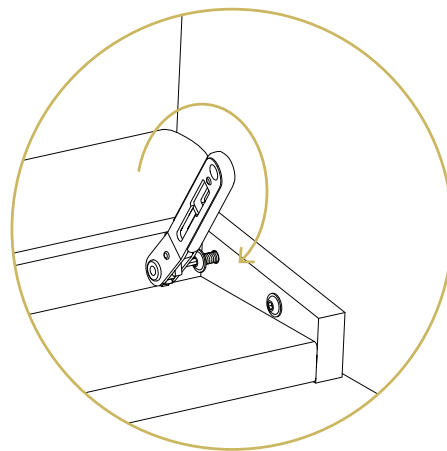
## 1

# Secure Front Rail

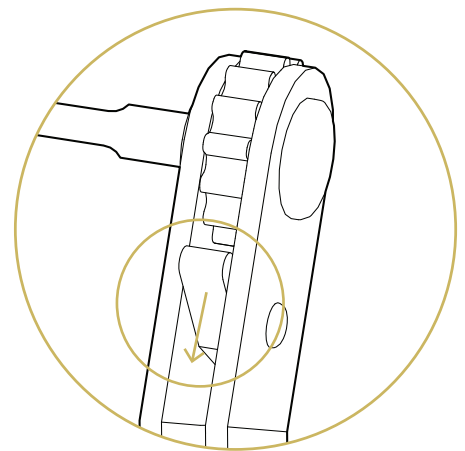
C

Use the ratchet wrench to tighten the bolts until they are firmly in place. The ratchet wrench allows you to tighten the bolt without having to remove the wrench from the bolt each time you have reached the limit of how far it can go in that direction. Instead, you can simply go back in the opposite direction without moving the bolt and continue tightening. The same applies when you are loosening a bolt.

Make sure the switch on the side is flipped down when tightening, and up when loosening. Repeat with the other arm



**+ REPEAT ON  
OTHER SIDE**



**FLIP DOWN = TIGHTEN**

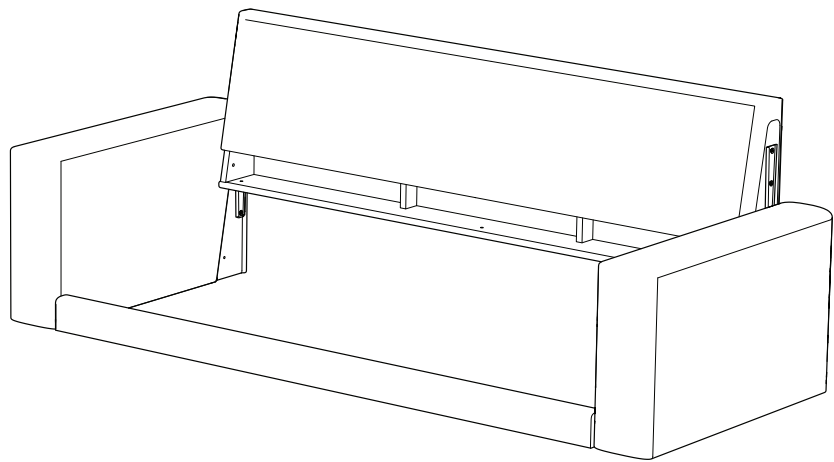
**FLIP UP = LOOSEN**

# 2

## Slide in Back

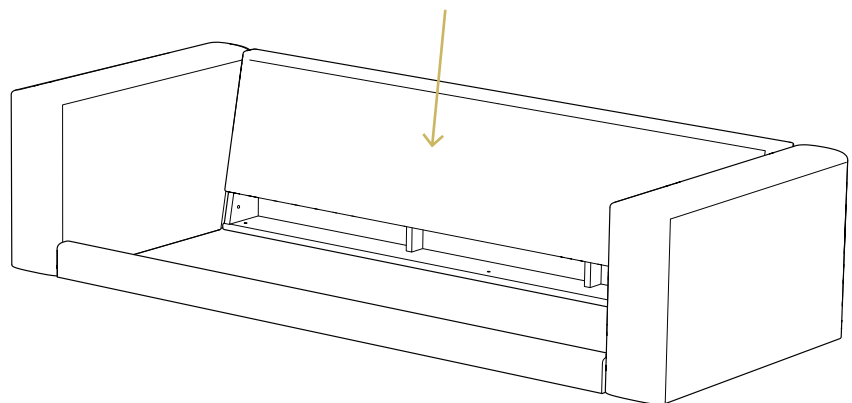
A

Take the back piece and line the brackets on the sides of the back with the brackets on each arm.



B

Make sure they are lined up before sliding the back piece down.

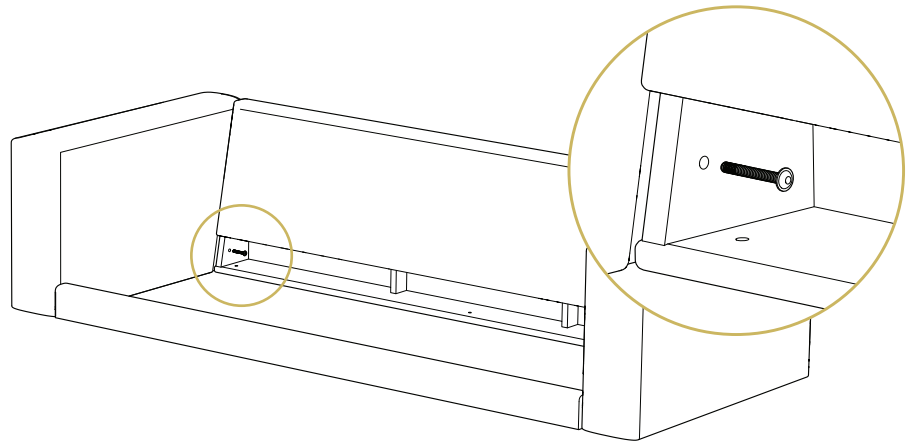


# 3

## Secure Back

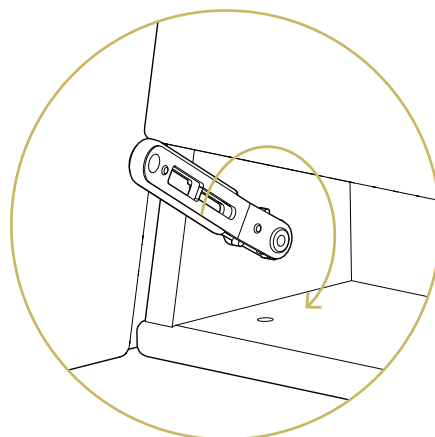
**A**

Take 1 bolt and insert it into the hole on the back cavity that lines up with a hole on the arm.



**B**

Tighten the bolt until firmly in place. Repeat with the other side of the front rail/arm.



**+ REPEAT ON  
OTHER SIDE**

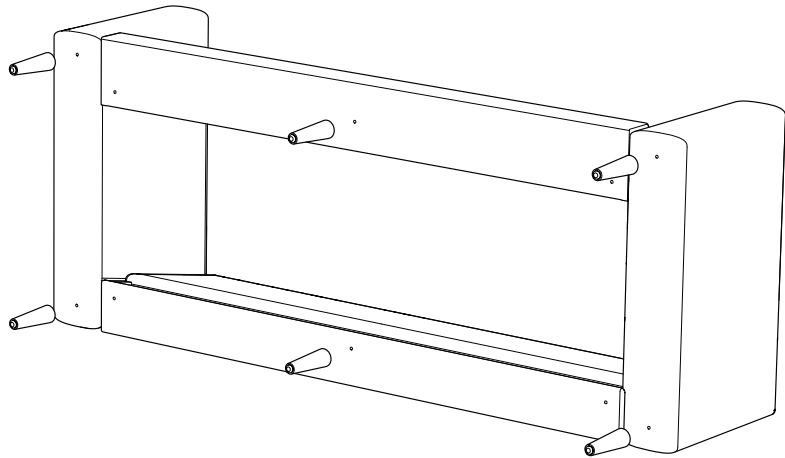
## 4

# Screw in Legs

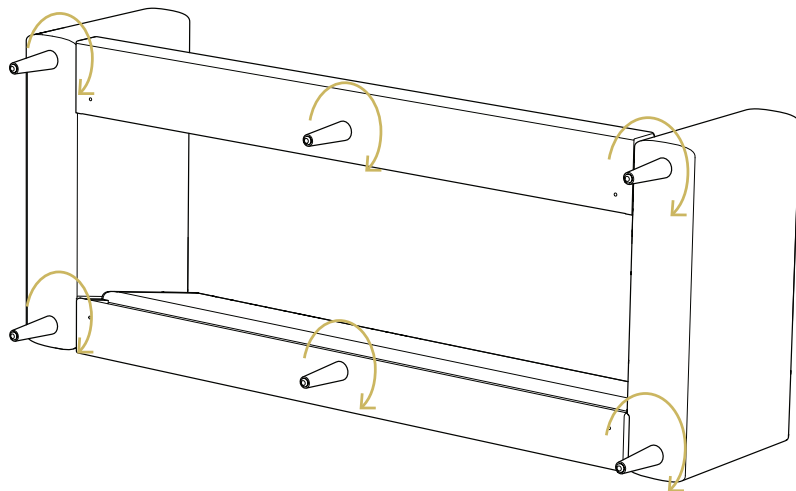
---

**A**

Flip the sofa onto its back.

**B**

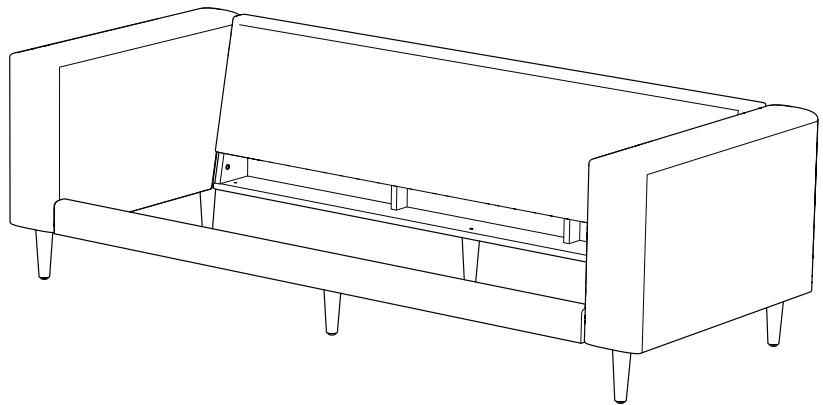
Screw in the legs.



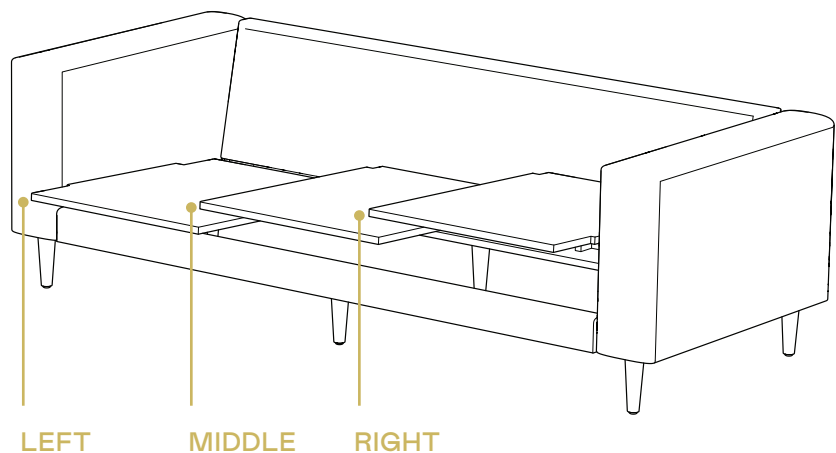
# 5

## Lay Platforms

- A** Flip sofa right side up. Lay platforms across the back and front rail.



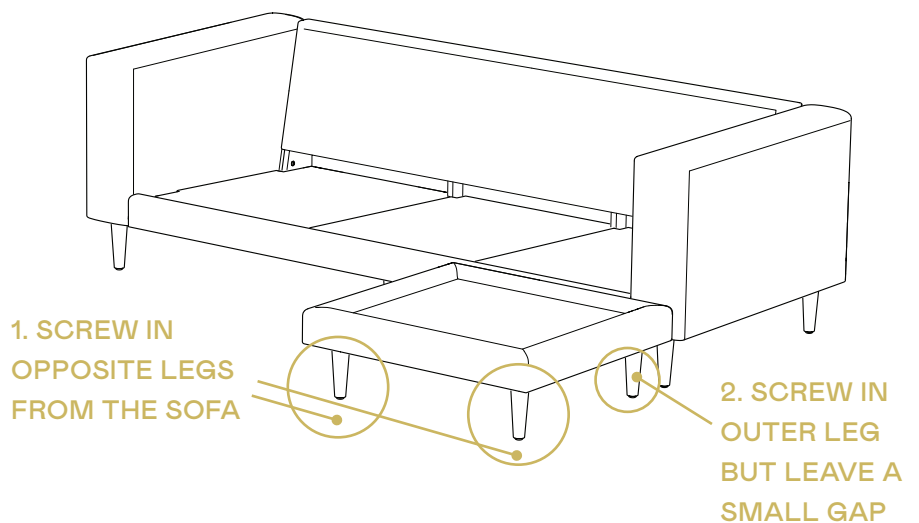
- B** Platforms should lie at an angle, slightly raised in the front to ensure a comfortable seating pitch.



# 6

## Prepare Ottoman

- A** Screw in the 2 legs furthest from the Sofa. Note: The longer side of the ottoman should run parallel to the sofa and the end of the ottoman should line up with the outer edge of the arm.
- B** Screw in the outer leg that lines up with the arm, but not all the way to leave room for the Metal Leg to Leg Connector.
- C** Flip Ottoman right side up. \*You can also position the chaise on the left side.

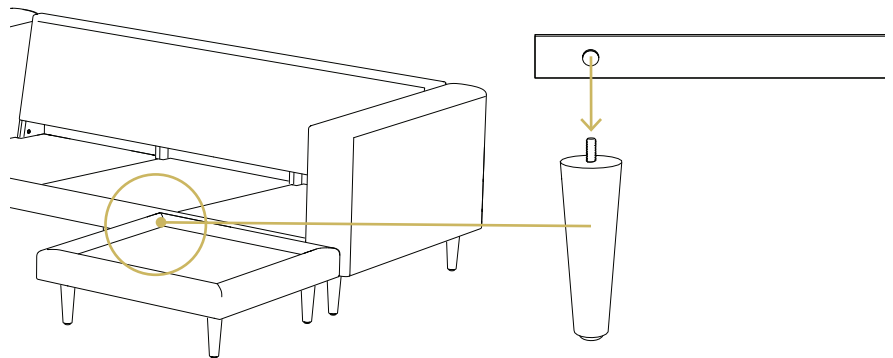


# 7

## Attach Fabric Connector

---

- A** Insert the bolt of the remaining unattached leg, which will be on the inner corner of the Ottoman, into one end of the Fabric Connector.



- B** Wrap the Fabric Connector around the Front Rail, going from the bottom and coming through the top. Insert the bolt through the hole on the other end of the Fabric connector.

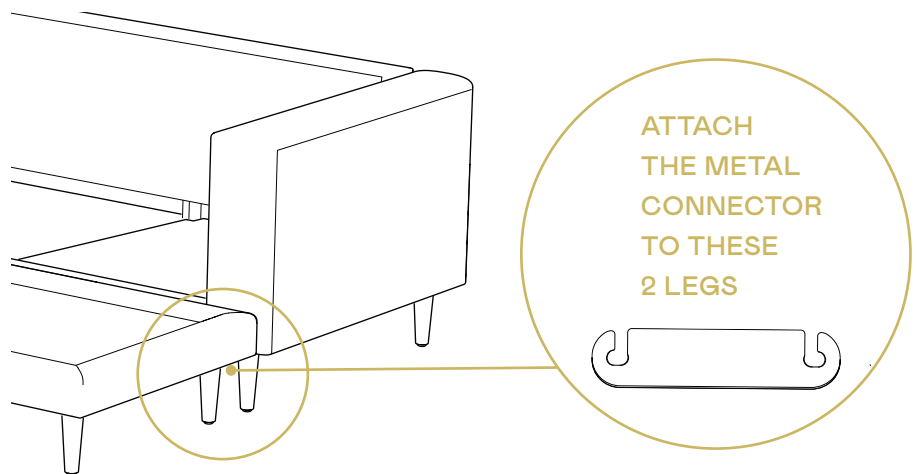
- C** Screw the leg into the Ottoman Base to secure the base to the Sofa, which will be snug to the Front Rail.

## 7

# Attach Metal Leg Connector

**A**

The Metal Connector is used to connect the two outside legs of the Ottoman & Sofa. You should have already left the Ottoman Leg slightly unscrewed.



Unscrew the Sofa Arm leg slightly to give some room for the connector.

**B**

Slide the Metal Connector in, and tighten the legs.

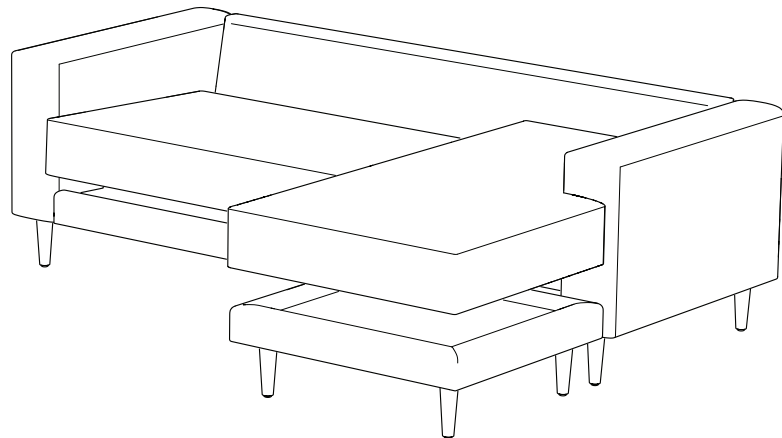


## 8

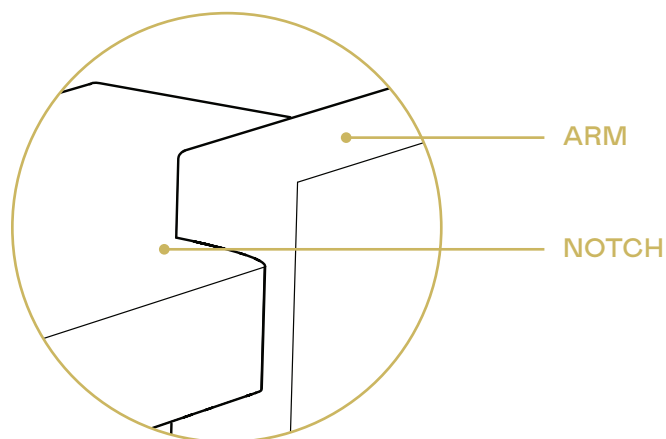
# Add Cushions

**A**

Place the loveseat cushion onto the sofa, running from the side without an ottoman to the middle.



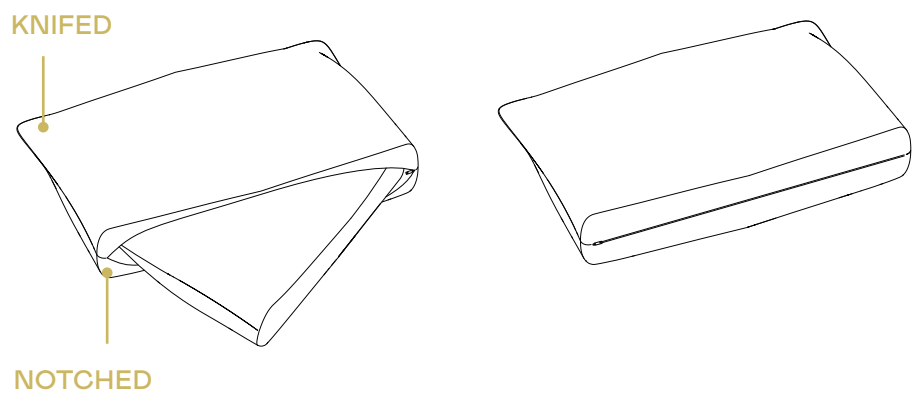
Place the chaise cushion across the sofa and ottoman. The notch of the cushion should wrap around the arm.



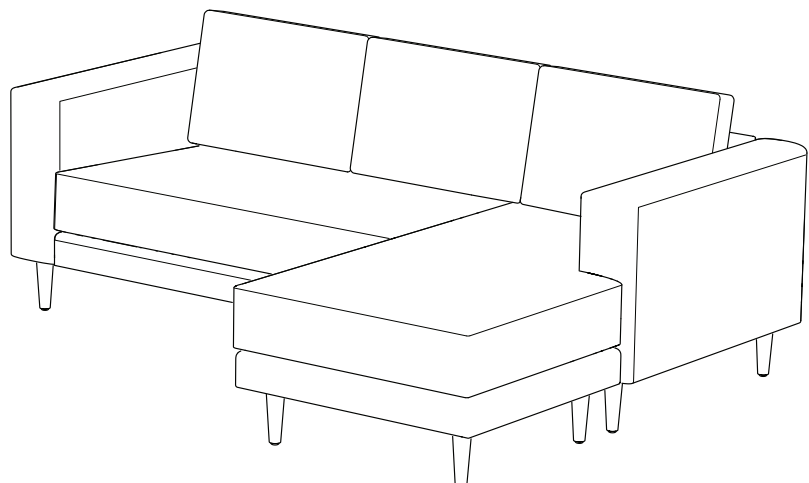
## 9

# Stuff & Add Pillows

- A** Stuff each pillow into a pillowcase, making sure that the “knifed” and “notched” edges match with the pillowcase.



- B** Place the pillows at the back of the sectional.





SABAI.DESIGN