

SABAI

FOR LIFE
ON EARTH

Ottoman Connector

For the Essential Sectional

Welcome to Sabai

FOR LIFE ON EARTH

Sabai is designed for Life on Earth.

We've minimized your furniture's impact on the environment, from the materials, to the manufacturing process, to programs to extend its life cycle.

Our products are 100% vegan and are made from a combination of recycled, upcycled, and biodegradable materials. We utilize mechanical fasteners (rather than glue)

This guide makes assembly a cinch. If you still have questions, you can reach our customer service team at **customer@sabai.design** and we'll respond within 48 hours.

to ensure that our materials remain recyclable and that we are keeping our manufacturing team safe.

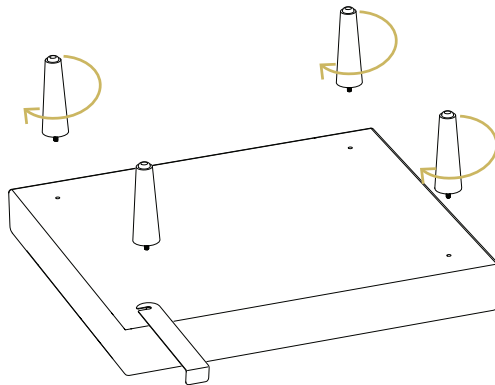
To make sure our sofas stay out of landfills, we've launched two programs under our Sabai Standard: The Repair Don't Replace and Closed Loop programs.

After a simple assembly, you can rest easy with Sabai.

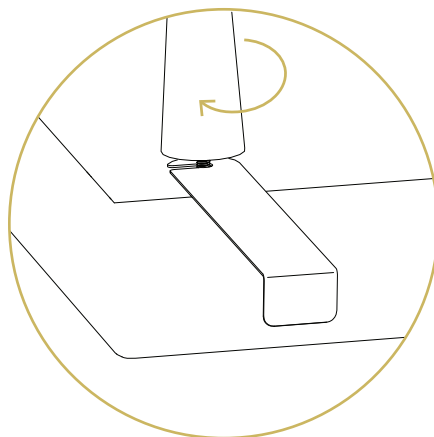
1

Prepare Ottoman

- A** Flip ottoman upside down. Screw in 3 legs, except for the leg that will be on the inside corner of the ottoman that is up against the sofa (the leg that does not line up with the sofa arm)



- B** Screw the last leg in over the ottoman connector, making sure the hook on the end faces the top of the ottoman.

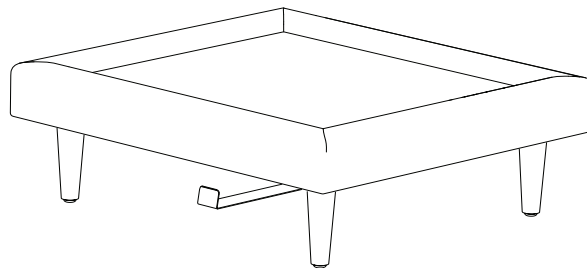


2

Attach Ottoman

A

Flip the ottoman right side up and line it up with the front of the sofa. The longer side of the ottoman should run parallel to the sofa and the end of the ottoman should line up with the outer edge of the arm.

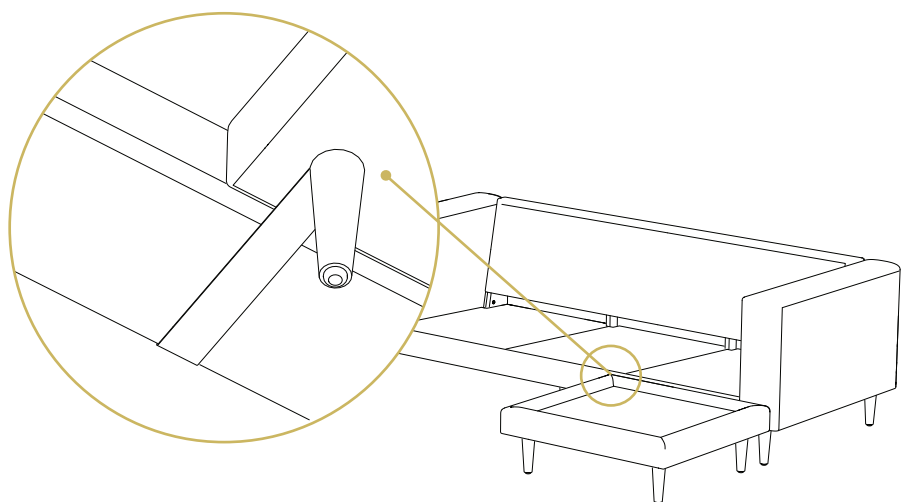
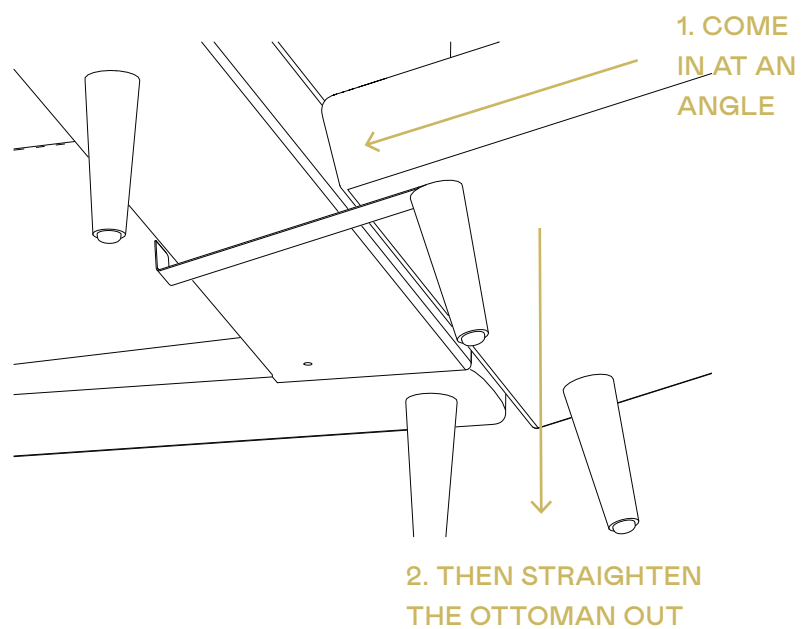


B

Tilt the ottoman as you place it in front of the sofa so that the Connector can hook onto the back of the front rail.

2

Attach Ottoman



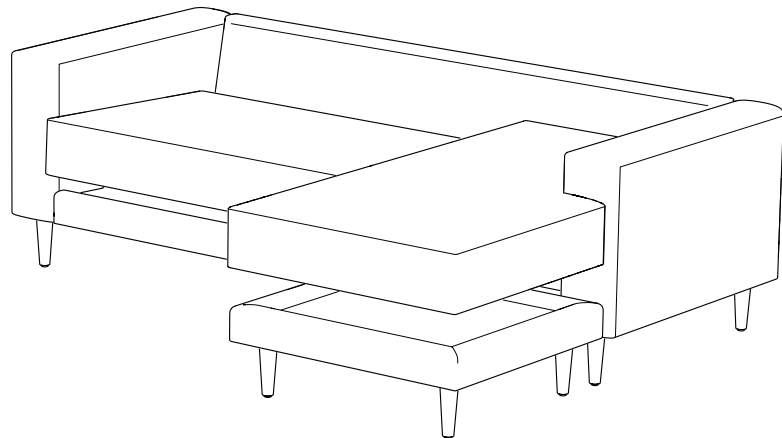
*MAKE SURE IT IS CONNECTED TO THE LEG THAT DOES NOT LINE UP WITH THE SOFA ARM

3

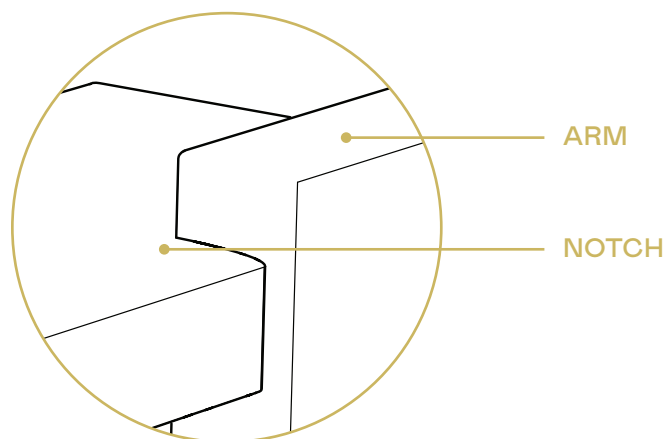
Add Cushions

A

Place the loveseat cushion onto the sofa, running from the side without an ottoman to the middle.



Place the chaise cushion across the sofa and ottoman. The notch of the cushion should wrap around the arm.





SABAI.DESIGN