

SABAI

FOR LIFE
ON EARTH

The Essential Corner Sectional

Assembly for the 5, 6, and 7 Seater

Welcome to Sabai

FOR LIFE ON EARTH

Sabai is designed for Life on Earth.

We've minimized your furniture's impact on the environment, from the materials, to the manufacturing process, to programs to extend its life cycle.

Our products are 100% vegan and are made from a combination of recycled, upcycled, and biodegradable materials. We utilize mechanical fasteners (rather than glue)

This guide makes assembly a cinch. If you still have questions, you can reach our customer service team at **customer@sabai.design** and we'll respond within 48 hours.

to ensure that our materials remain recyclable and that we are keeping our manufacturing team safe.

To make sure our sofas stay out of landfills, we've launched two programs under our Sabai Standard: The Repair Don't Replace and Closed Loop programs.

After a simple assembly, you can rest easy with Sabai.

Index

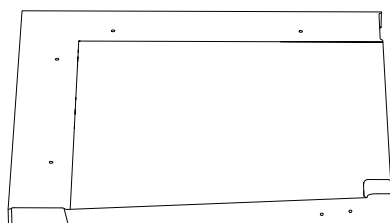
COMPONENTS	Corner Sectional - 5 Seat	5
	Corner Sectional - 6 Seat	9
	Corner Sectional - 7 Seat	14

ASSEMBLY		19
-----------------	--	----

Note: For the 6 Seater you can position the longer side on either the left or right depending on your space.

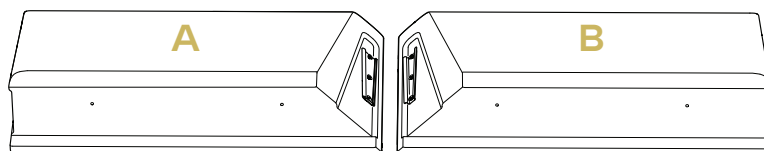
5 Seat Components

CORNER BASE



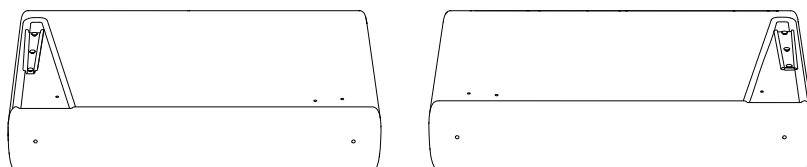
CORNER BACKS

X2



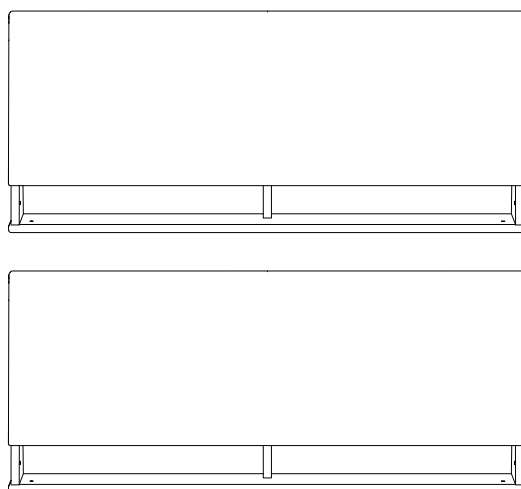
ARMS

X2



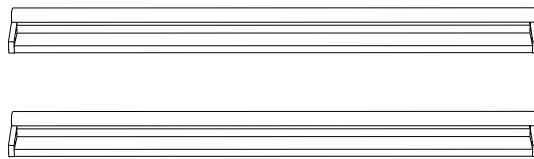
LOVESEAT BACKS

X2



**LOVESEAT FRONT
RAILS**

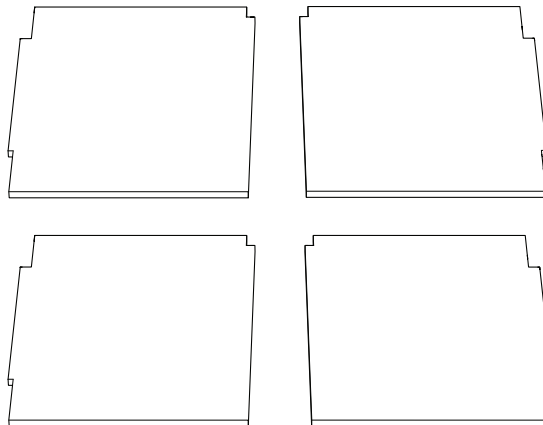
X2



SEAT PANELS

LEFT X2

RIGHT X2

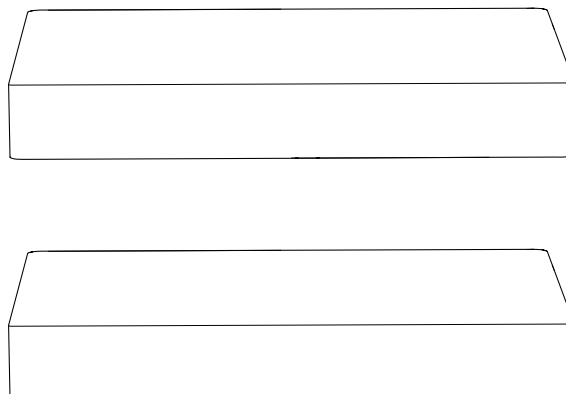


LEFT

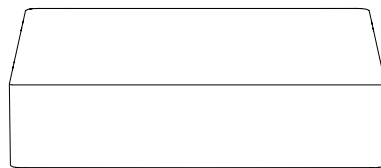
RIGHT

LOVESEAT CUSHIONS

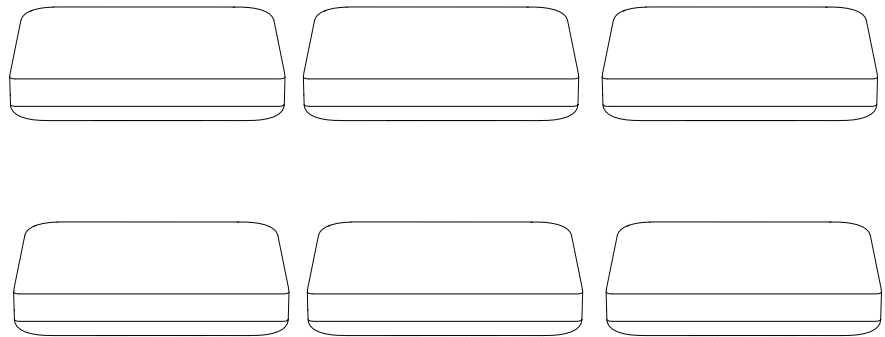
X2



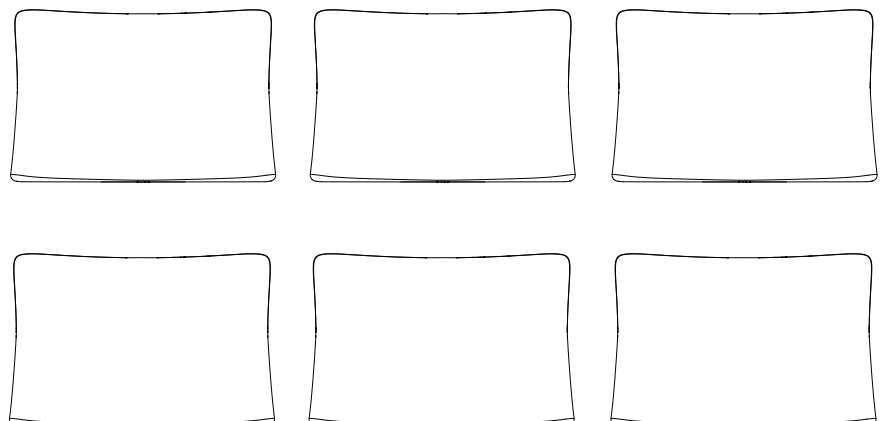
CORNER CUSHION



BACK PILLOWS
X6



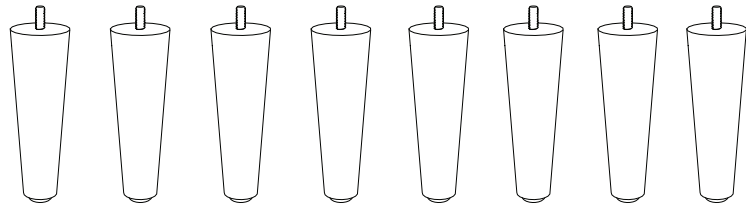
**BACK PILLOW
COVERS**
X6



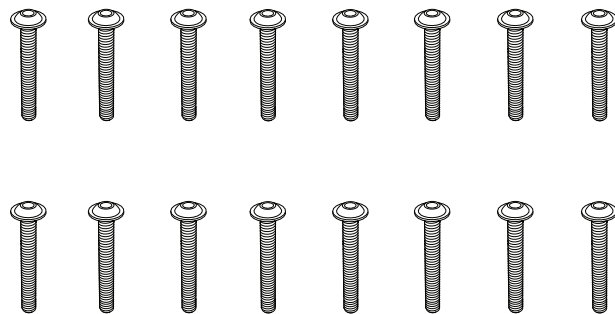
RATCHET WRENCH



LEGS
X8

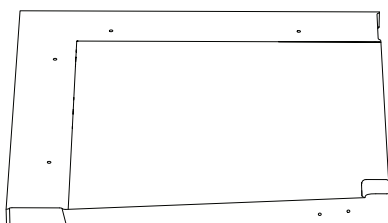


METAL BOLTS
X16



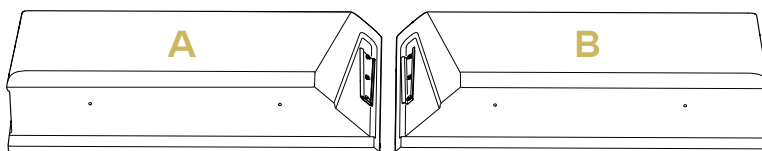
6 Seat Components

CORNER BASE



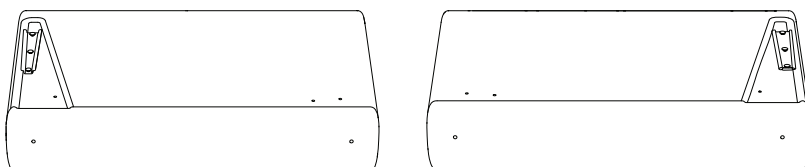
CORNER BACKS

X2



ARMS

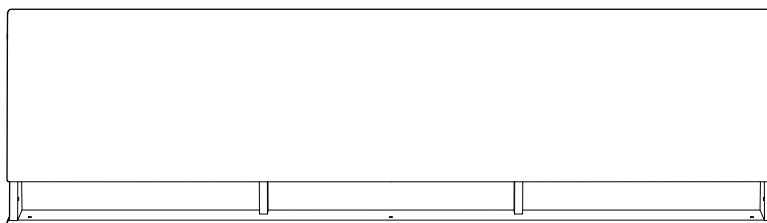
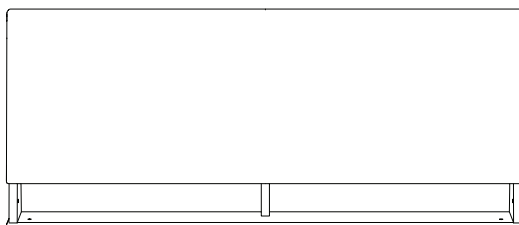
X2



BACKS

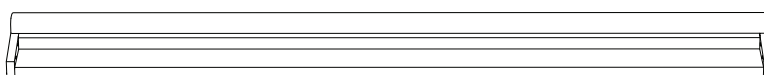
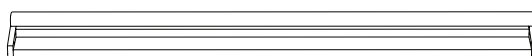
LOVESEAT BACK X1

SOFA BACK X1



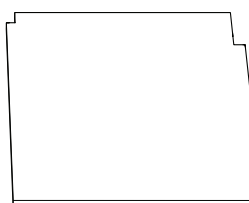
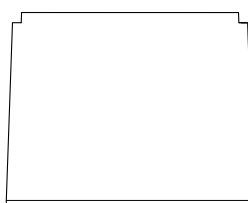
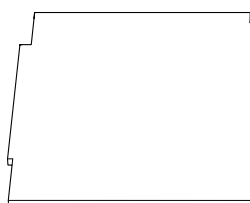
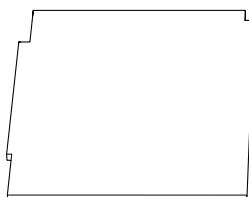
FRONT RAILS

LOVESEAT X1
SOFA X1



SEAT PANELS

LEFT X2
RIGHT X2
CENTER X1



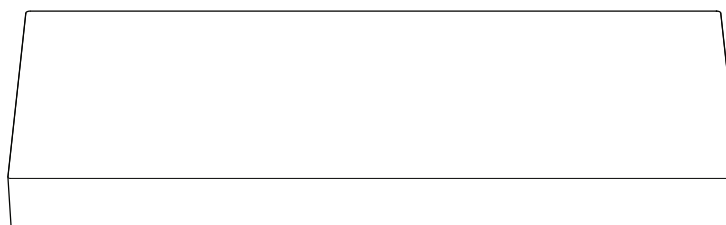
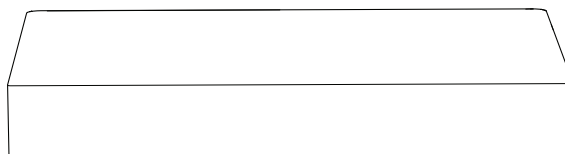
LEFT

MIDDLE

RIGHT

SEAT CUSHIONS

LOVESEAT X1
SOFA X1

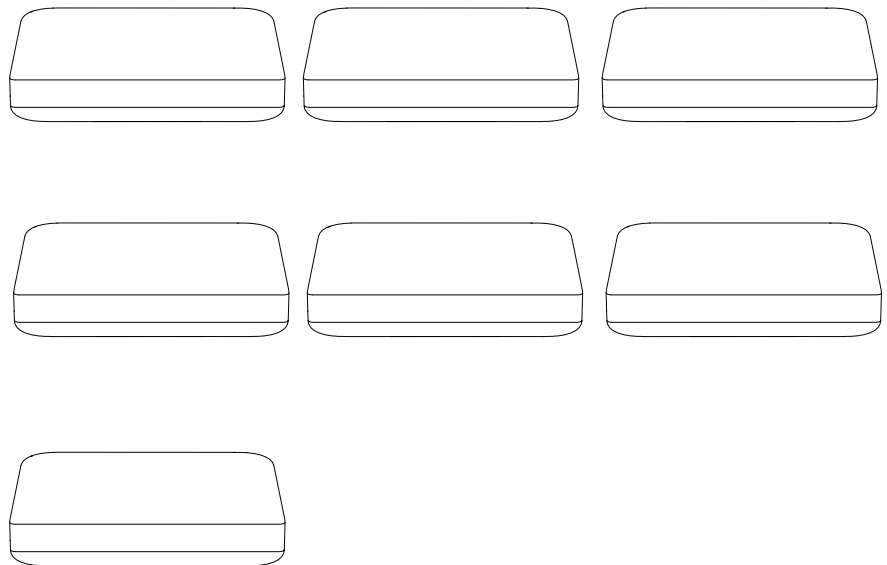


CORNER CUSHION



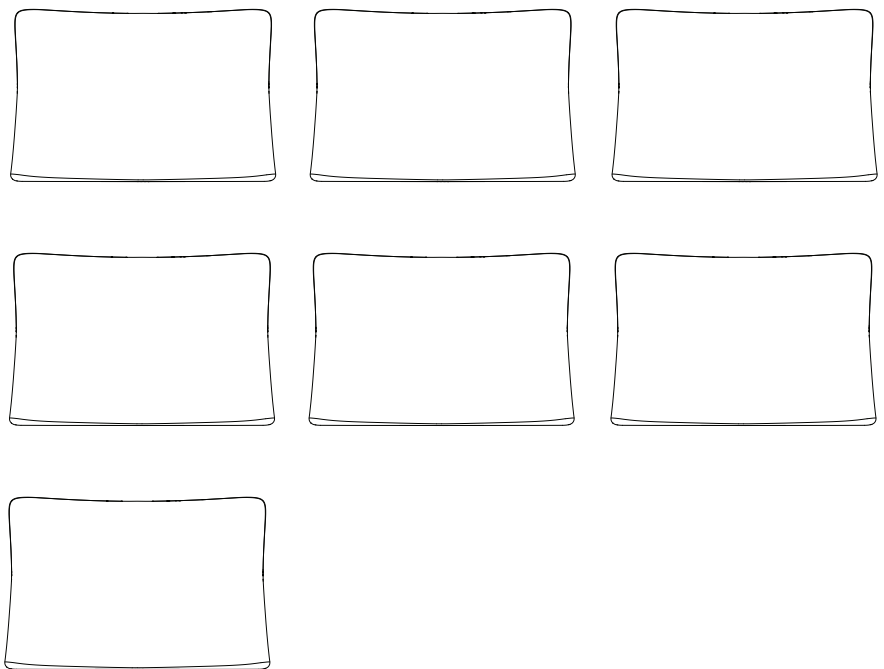
BACK PILLOWS

X7



**BACK PILLOW
COVERS**

X7

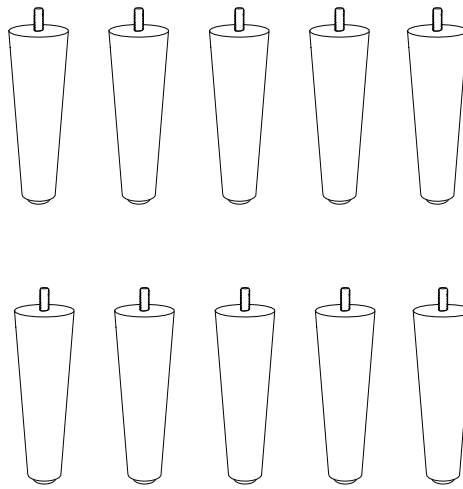


RATCHET WRENCH



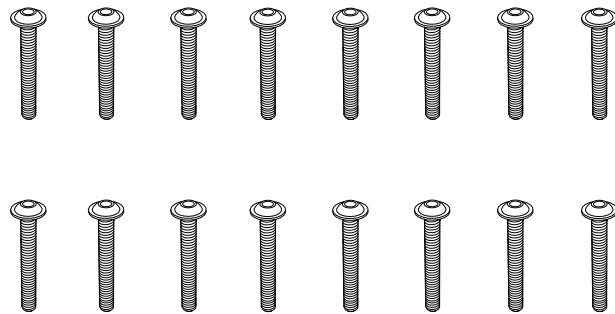
LEGS

X10



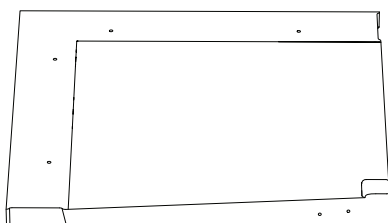
METAL BOLTS

X16



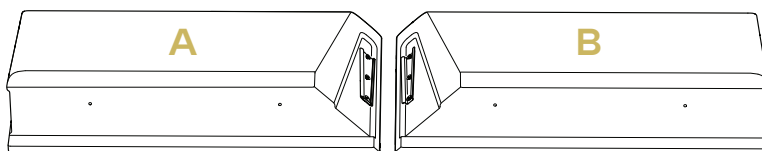
7 Seat Components

CORNER BASE



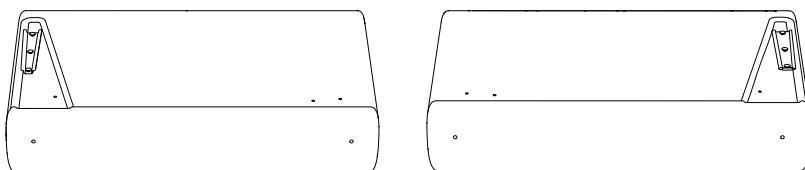
CORNER BACKS

X2



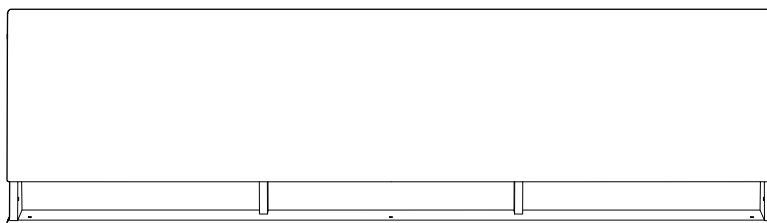
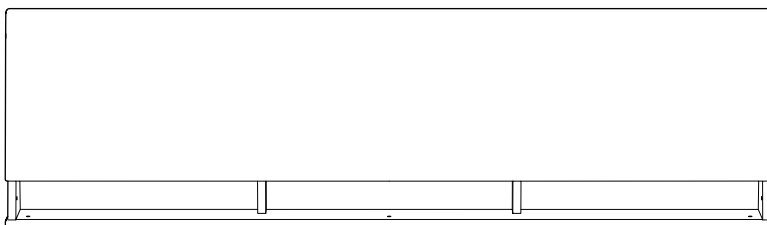
ARMS

X2



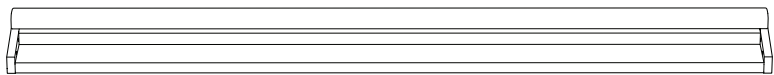
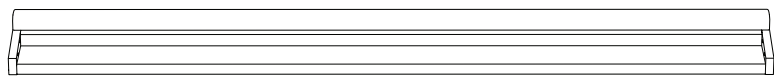
SOFA BACKS

X2



SOFA FRONT RAILS

X2

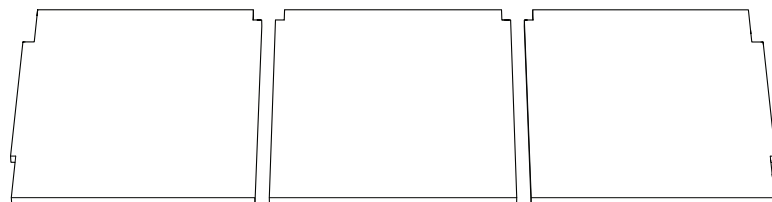
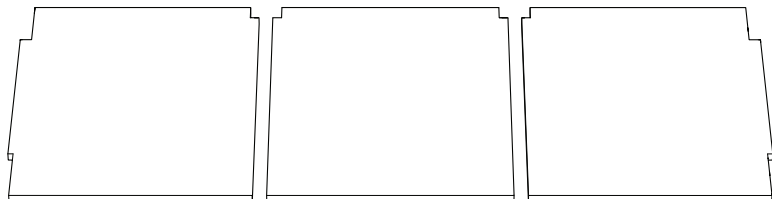


SEAT PANELS

LEFT X2

RIGHT X2

CENTER X2



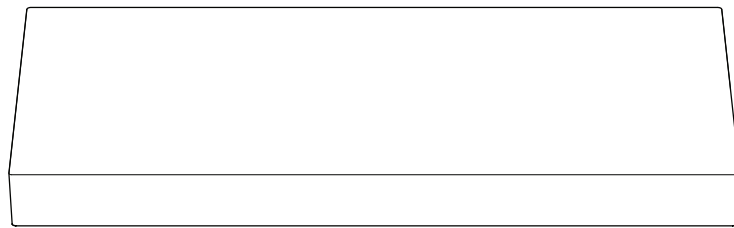
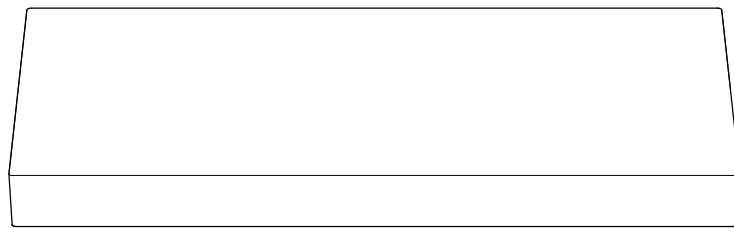
LEFT

MIDDLE

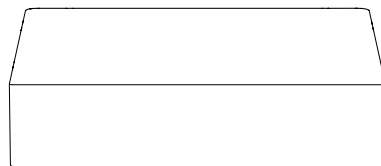
RIGHT

SOFA CUSHIONS

X2

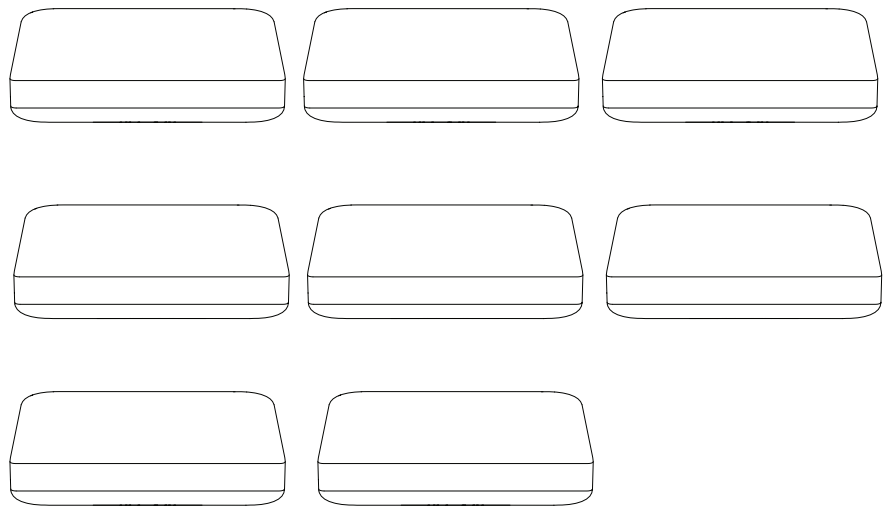


CORNER CUSHION



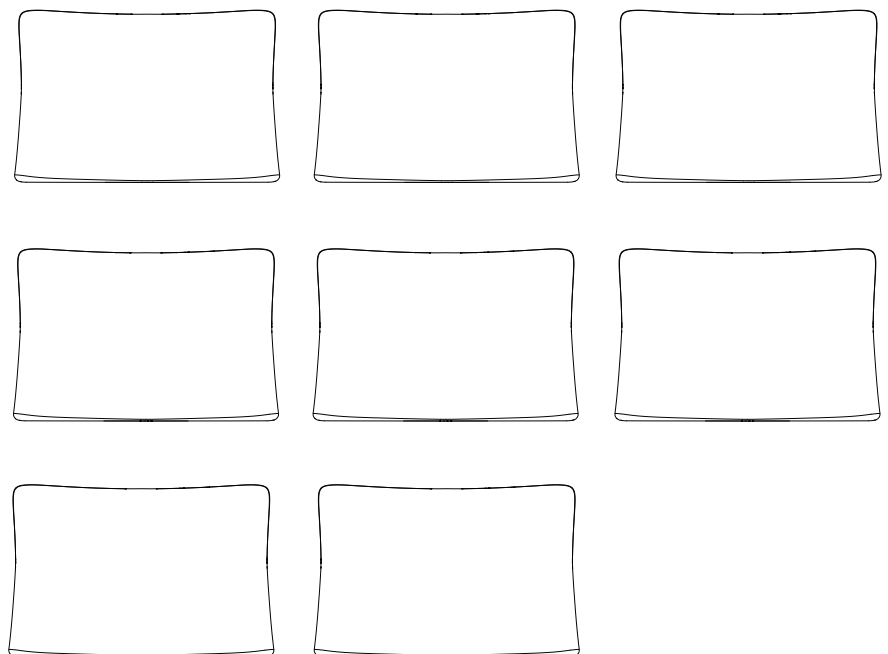
BACK PILLOWS

X8



**BACK PILLOW
COVERS**

X8

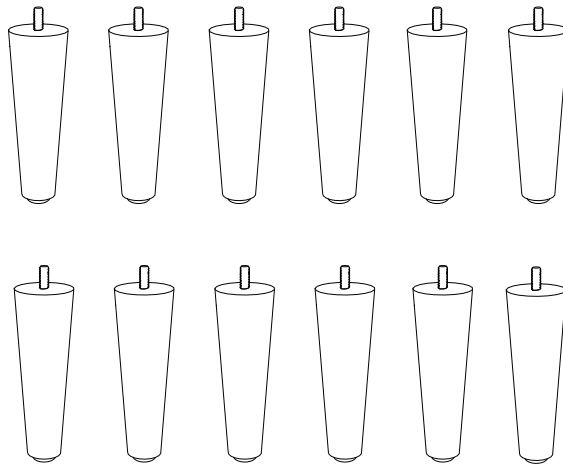


RATCHET WRENCH



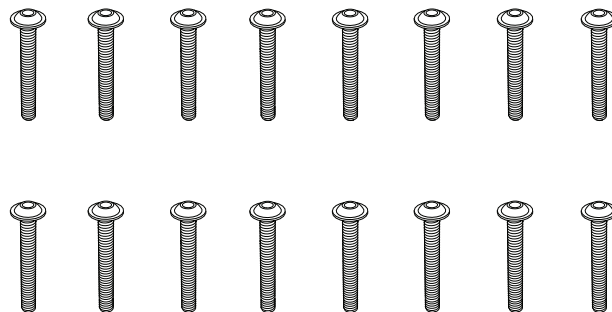
LEGS

X12



METAL BOLTS

X16

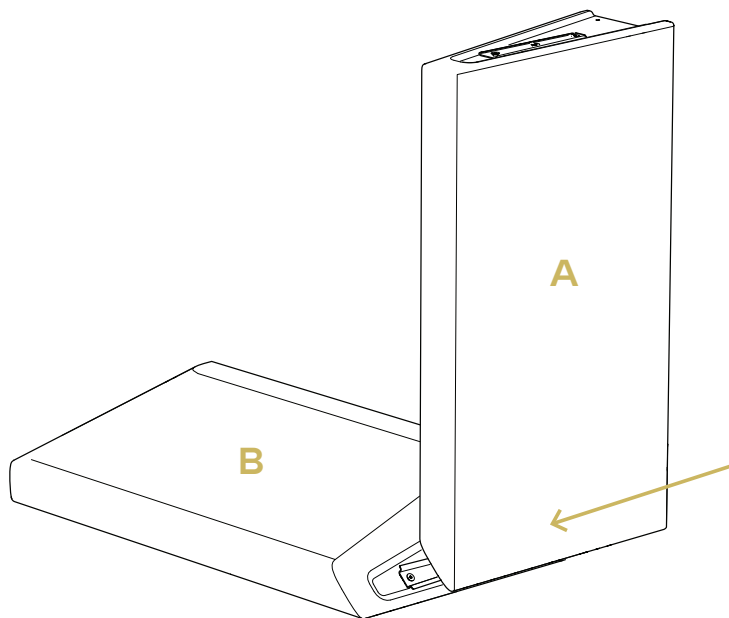


1

Slide Corner Backs Together

A Lay Corner Back B on its back. Line the top of Corner Back A with the bottom of Corner Back B.

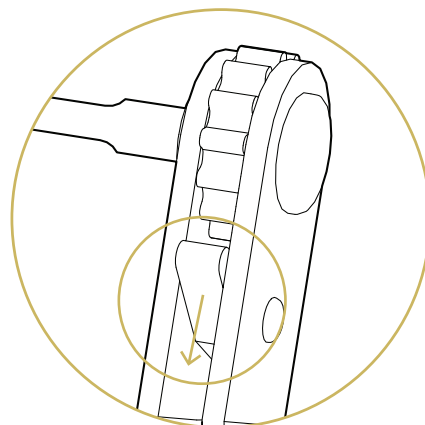
B Line the brackets up with each other, and slide Corner Back A upwards so that they slide into each other.



Ratchet Wrench

Note for tightening bolts: Use the ratchet wrench to tighten the bolts until they are firmly in place. The ratchet wrench allows you to tighten the bolt without having to remove the wrench from the bolt each time you have reached the limit of how far it can go in that direction. Instead, you can simply go back in the opposite direction without moving the bolt and continue tightening. The same applies when you are loosening a bolt.

Make sure the switch on the side is flipped down when tightening, and up when loosening.



FLIP DOWN = TIGHTEN

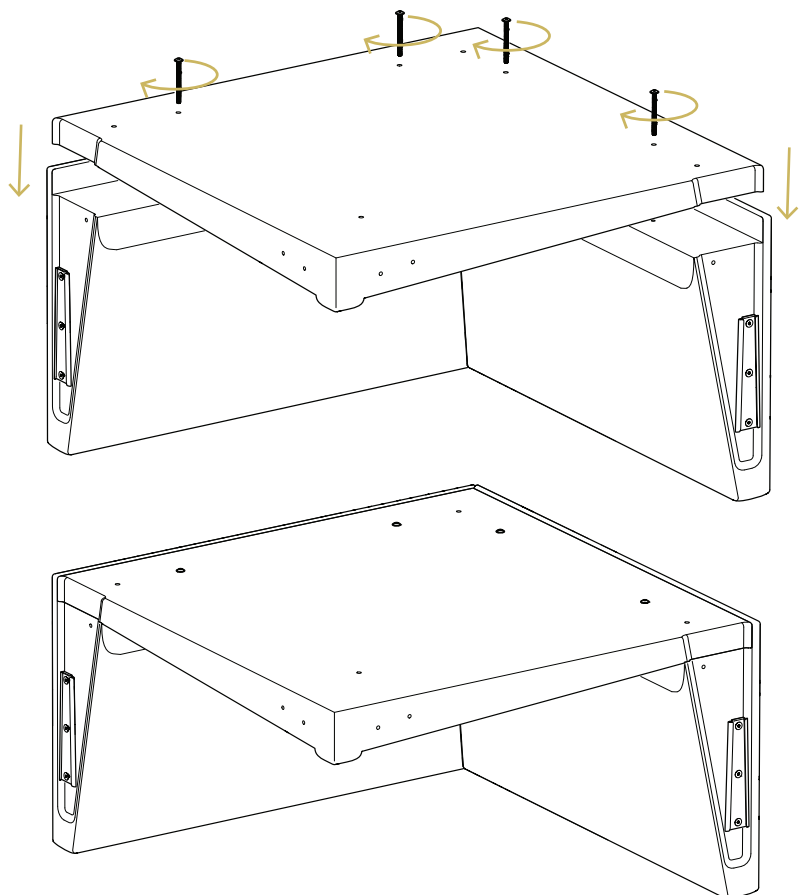
FLIP UP = LOOSEN

2

Connect Corner Base

A Flip the Corner Backs upside down. Place the Corner Base on top, lining the bolt holes in the base with the threaded inserts in the Corner Backs.

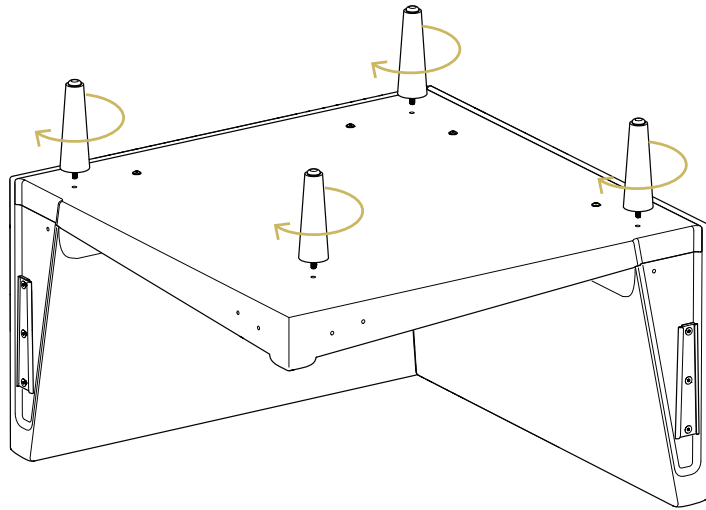
B Secure the Corner Base by bolting it in with the Ratchet Wrench.



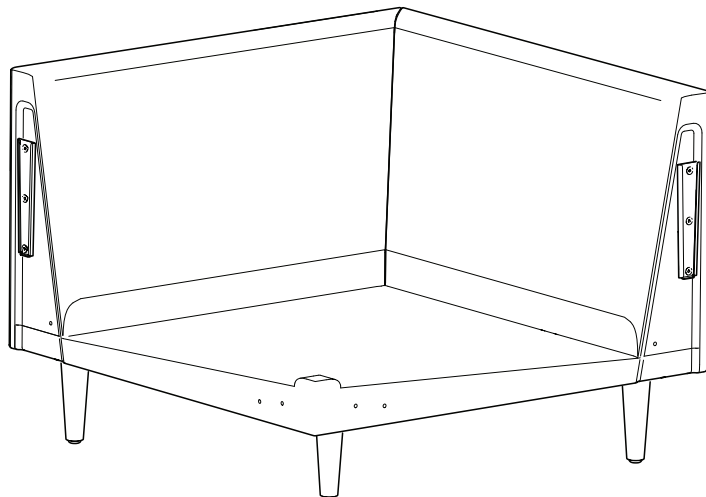
3

Screw in Legs to Corner Base

A Screw 4 legs into the Corner Base.



B Flip right side up.



4

Connect Front Rails & Arms

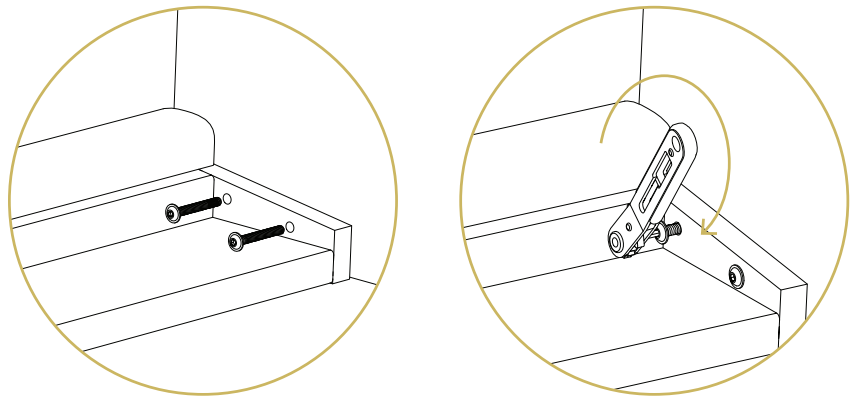
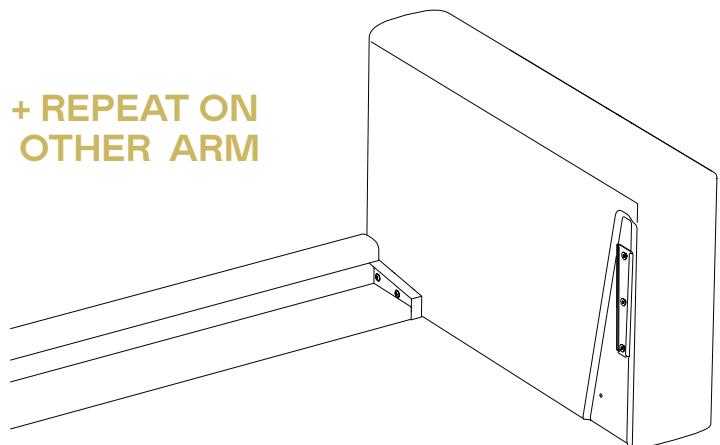
A

Secure one arm to each front rail, with one arm attached to the left of one front rail, and one arm attached to the right of the other front rail.

Line the holes in each front rail up with the holes in the arms and secure them each with 2 bolts.

NOTE FOR 6 SEAT:

Attach an arm to the right side of the Sofa Front Rail if you would like the Sofa on the right side of your Corner Sectional. Alternatively, attach an arm to the left side of the Sofa Front Rail if you would like the Sofa on the left side of your Corner Sectional.

**+ REPEAT ON OTHER ARM**

5

Screw in Remaining Legs

A Flip the arms and front rails onto their backs.

FOR THE 5 SEATER

Screw in 2 legs to each arm.

FOR THE 6 SEATER

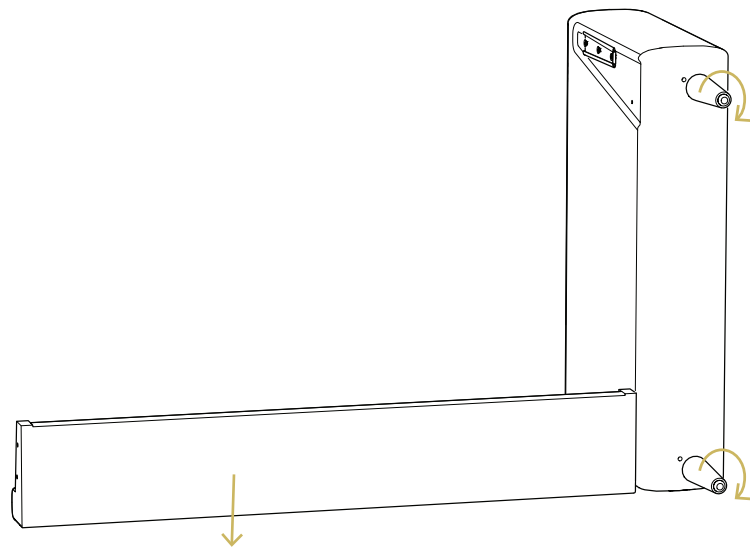
Screw in 2 legs to each arm and 1 leg into the center of the Sofa Front Rail.

FOR THE 7 SEATER

Screw in 2 legs to each arm and 1 leg into the center of each Sofa Front Rail.

5

Screw in Remaining Legs



LOVESEAT FRONT RAIL



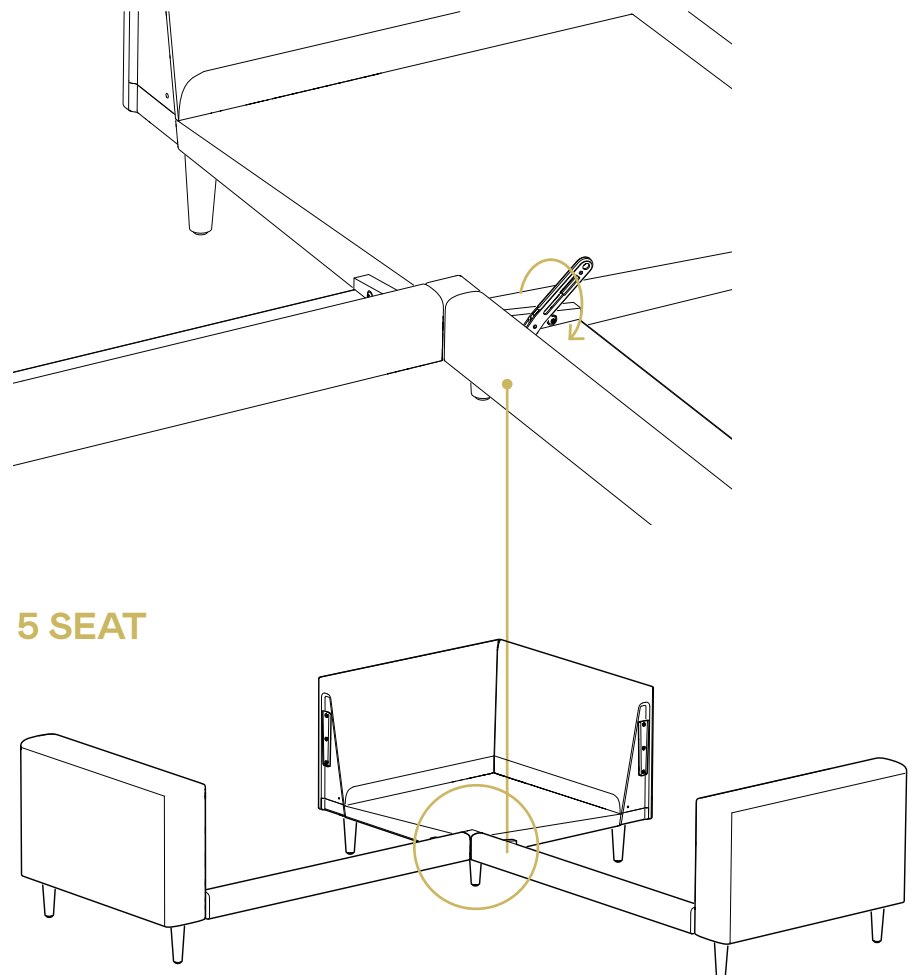
SOFA FRONT RAIL

6

Secure Front Rails to Corner

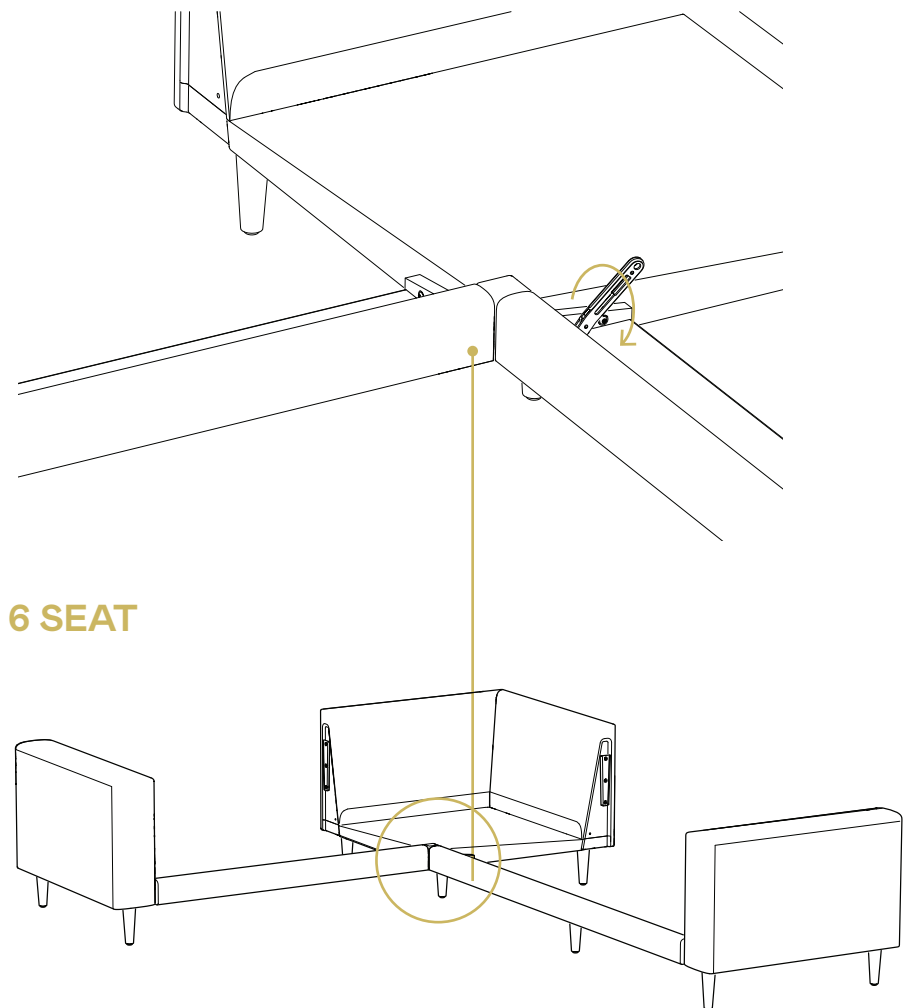
A

Flip each connected front rail and arm back right side up. Secure each Front Rail to the Corner Base by lining the holes in the Front Rails up with the holes in the Corner Base and attaching with 2 bolts.



6

Secure Front Rails to Corner



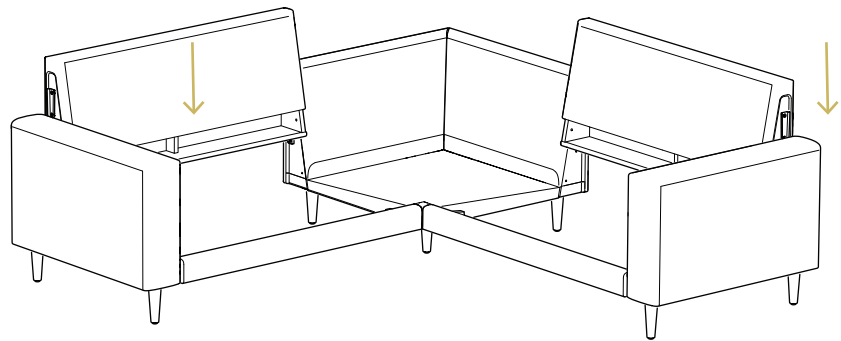
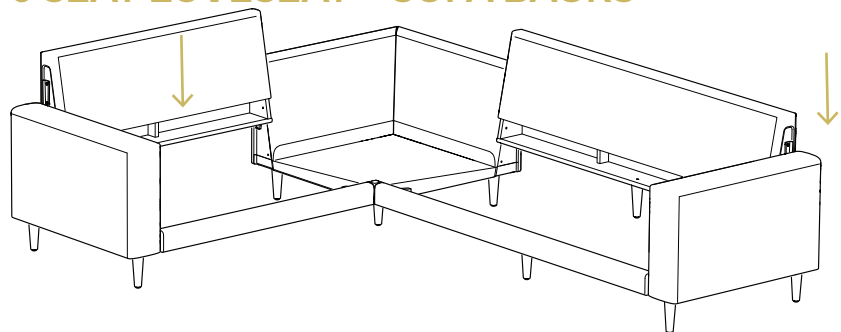
***7 SEAT NOT PICTURED BUT STEPS ARE THE SAME.**

7

Attach Backs

A

Slide each Back into the corner unit and arms. Line the brackets up, ensuring that the back piece is straight and flush with the corner unit and arms, before sliding down. Note: This step is most easily performed by 2 people.

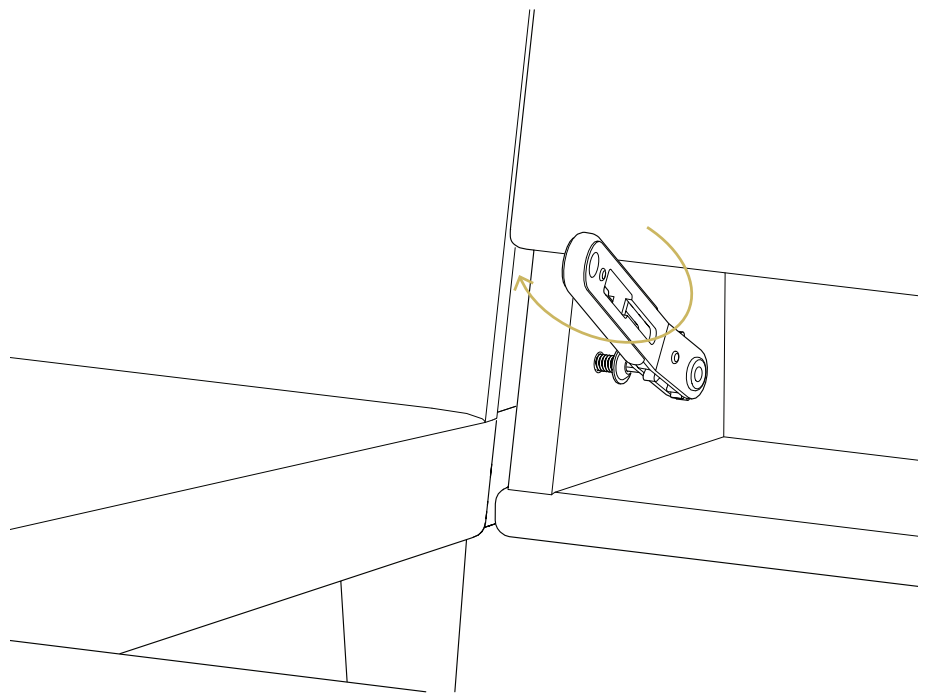
5 SEAT LOVESEAT BACKS**6 SEAT LOVESEAT + SOFA BACKS**

***7 SEAT (2 SOFA BACKS) NOT PICTURED BUT STEPS ARE THE SAME.**

7

Attach Backs

- B** Secure each back in the bottom cavity with one bolt connecting with the corner unit, and one bolt connecting with each arm.

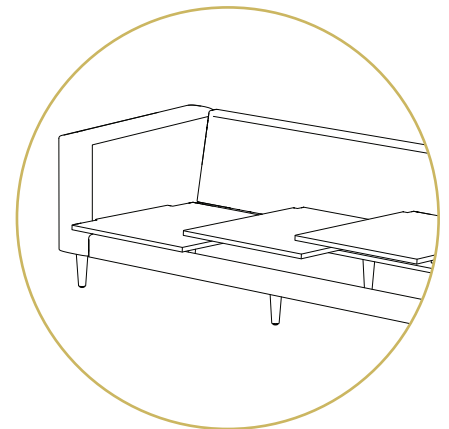
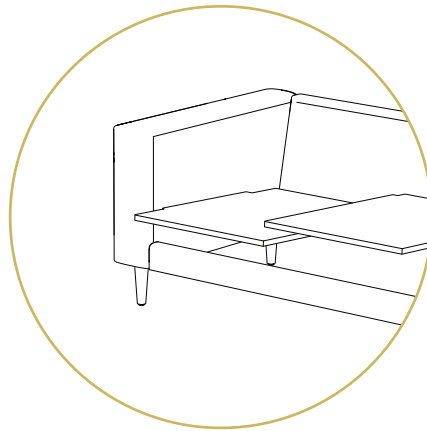


8

Place Platforms & Cushions

- A** Lay seat platforms across the back and front rail. Platforms should lie at an angle, slightly raised in the front to ensure a comfortable seating pitch.

LOVESEAT PLATFORMS



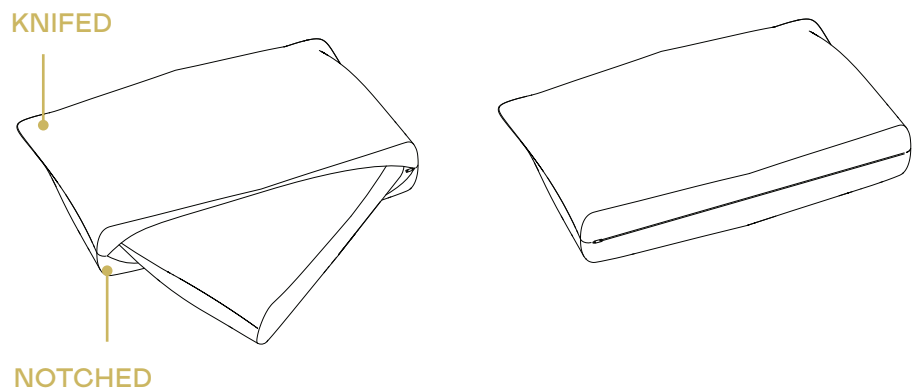
SOFA PLATFORMS

-
- B** Place all the seat cushions onto each appropriate section.

9

Stuff & Add Pillows

- A** Stuff each pillow into a pillowcase, making sure the “knifed” and “notched” edges match the pillowcases

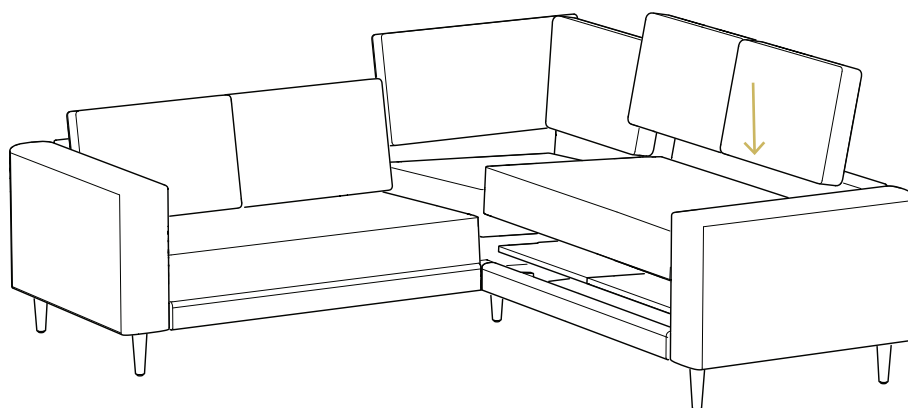


- B** Add the pillows to your new Corner Sectional!

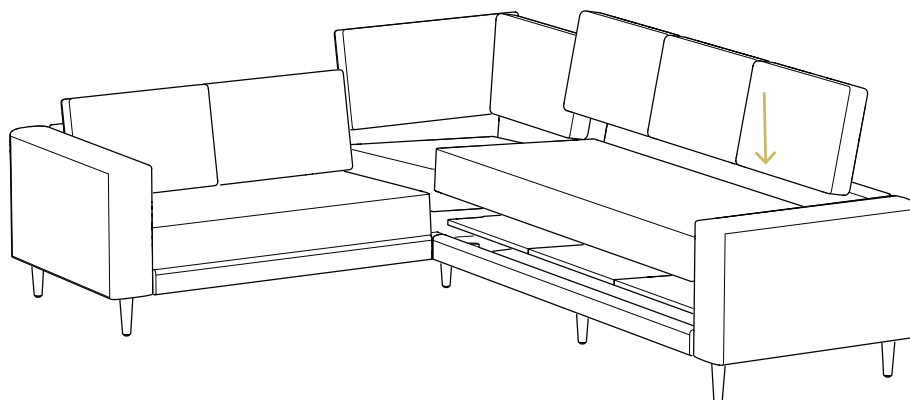
9

Stuff & Add Pillows

5 SEAT



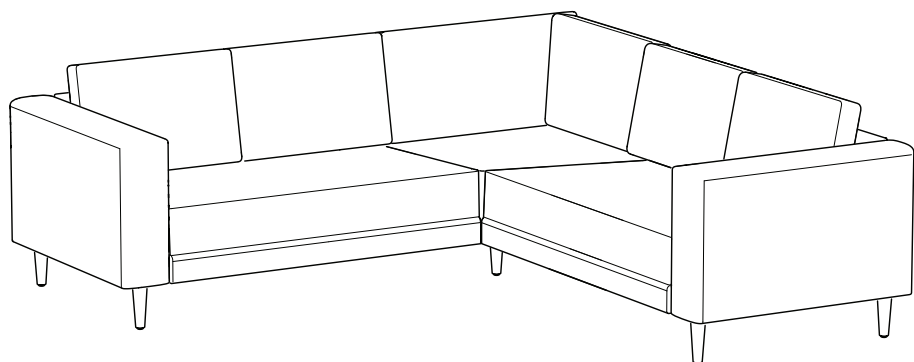
6 SEAT



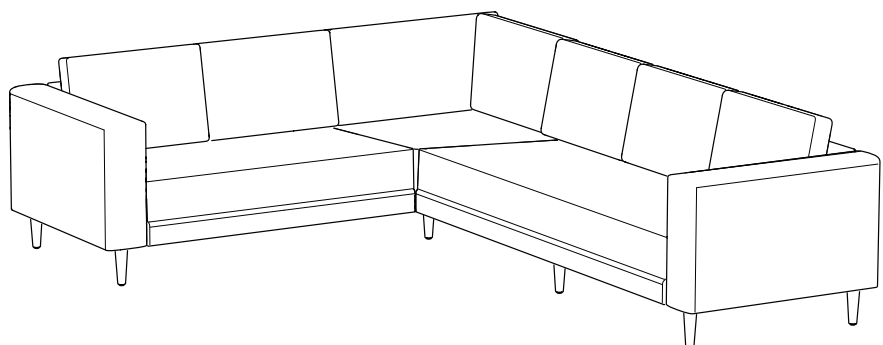
***7 SEAT NOT PICTURED BUT STEPS ARE THE SAME.**

10 Enjoy

5 SEAT



6 SEAT



***7 SEAT NOT PICTURED**



SABAI.DESIGN