



SABAI

SABAI Welcome to the Sabai Family!

Let's get cozy.

We're so glad you've joined the party!

Sabai means “comfy,” “relaxed,” and “easy” in Thai. We want you to feel that way about both our products and your experience with us, from start to finish.

Let's get friendly.

You can lounge easy knowing we've worked hard to minimize your sofa's impact on the environment.

Our Packaging:

As you unpack your sofa, you'll notice that our packaging does not use any non-biodegradable plastic.

Our Frames:

FSC certified wood.

Our Cushions:

CertiPUR-US certified foam.

Our Pillows:

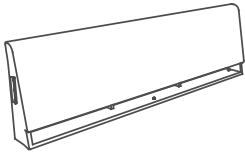
Recycled fiber.

Our Fabric:

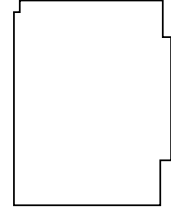
We offer a selection of recycled, upcycled, and natural fiber fabrics.

Sofa

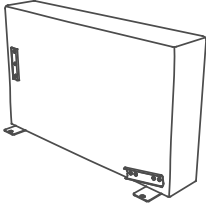
The Essential Sofa: Components



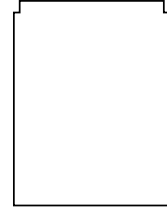
Sofa Back (A)



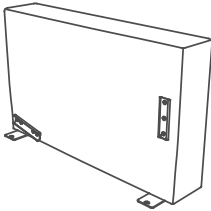
Right Platform (G)



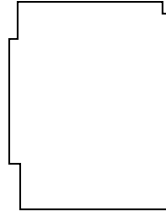
Right Arm (B)



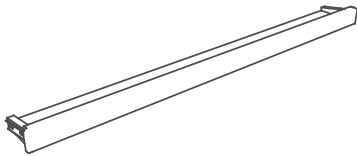
Center Platform (H)



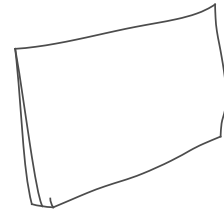
Left Arm (C)



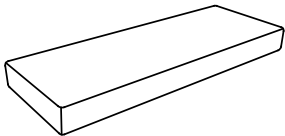
Left Platform (I)



Front Rail (D)

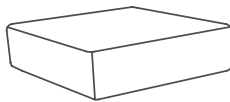


Pillows (K x 3)

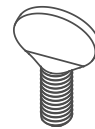


Bench
Cushion (J)

OR



Single
Cushion (L x 3)



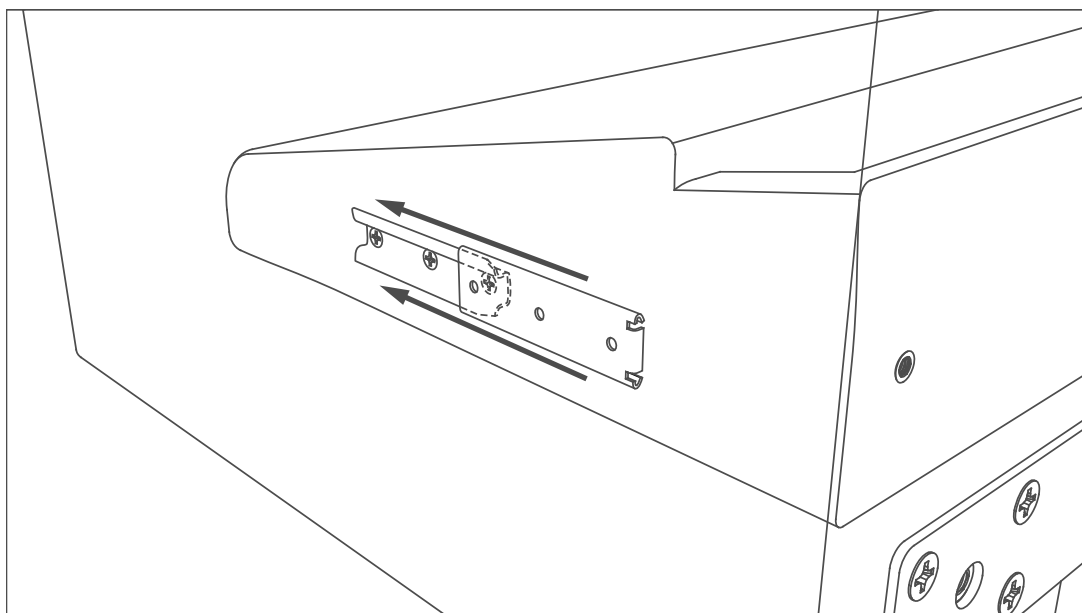
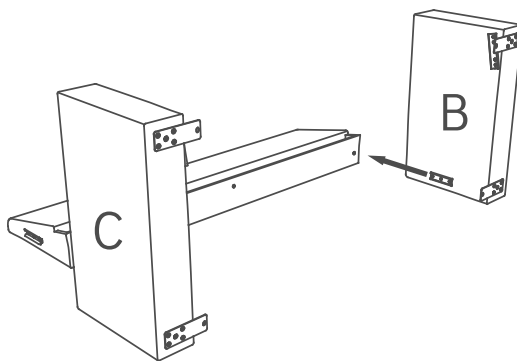
Thumb
Bolts (E x 4)



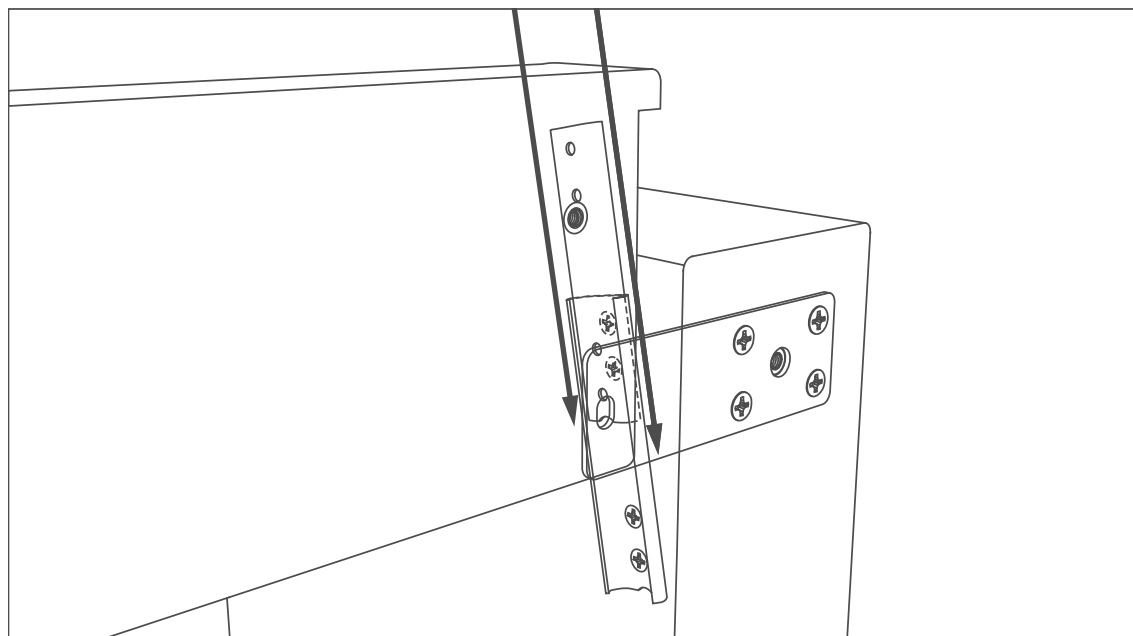
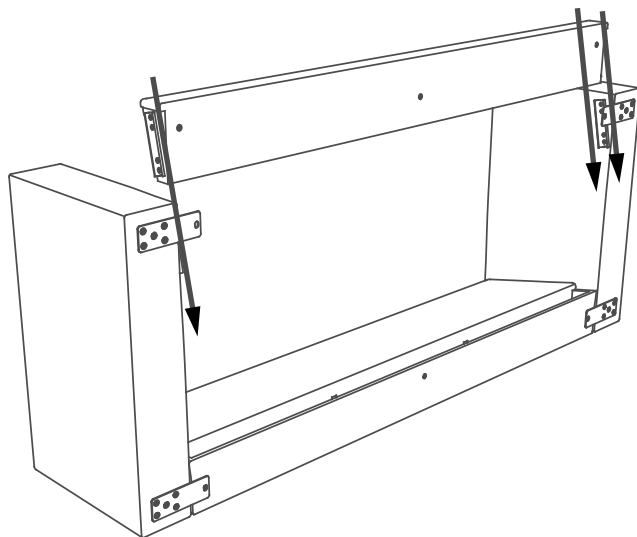
Legs (F x 6)

How To Assemble: The Essential Sofa

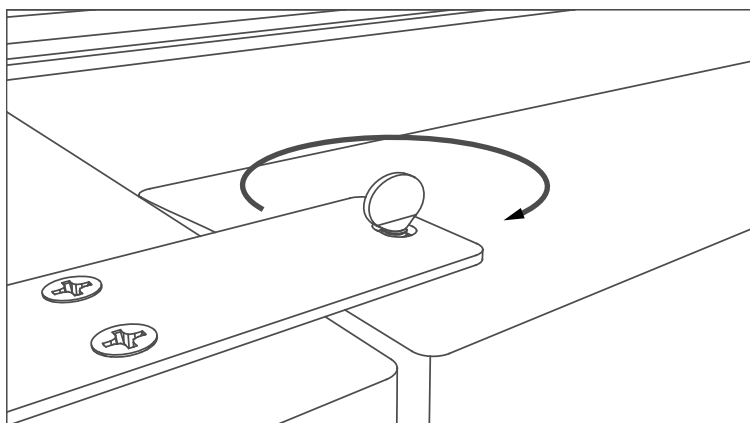
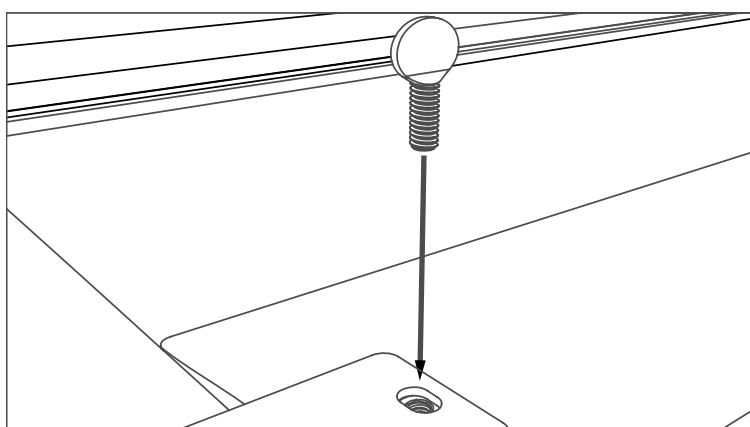
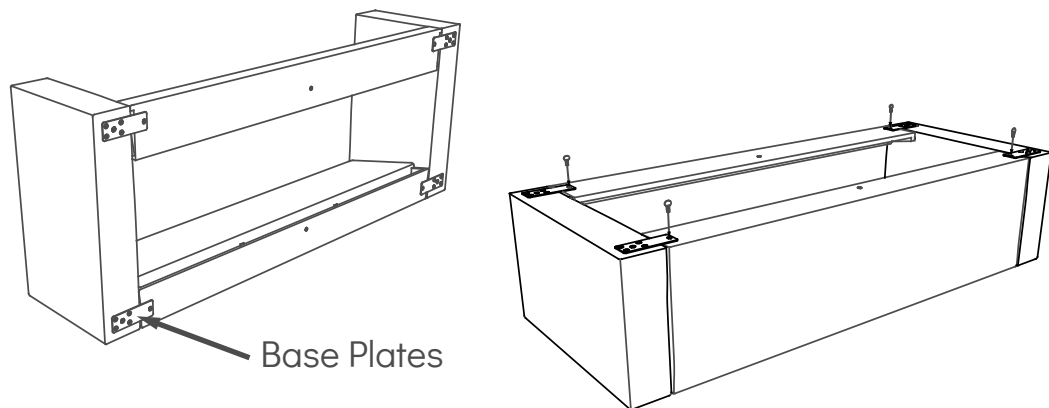
1. Lay Back (A) on its back. Lay Right Arm (B) to the right and Left Arm (C) to the left of Back (A) on their backs. Slide each arm along and against Back (A) so that the bracket on the inside of each arm slides into the bracket on the sides of the back. Make sure to keep the arms at a 90° angle so that the brackets line up.



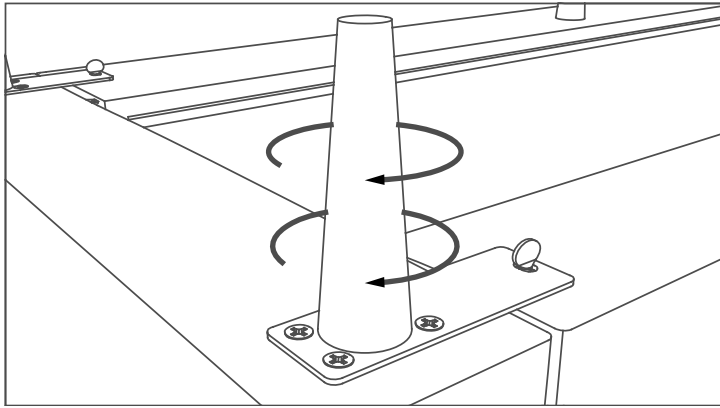
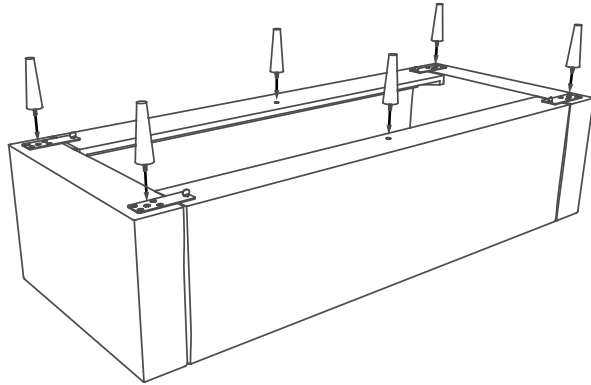
2. Slide the Front Rail (D) into the front brackets of each arm. Make sure to line both sides up before fully sliding it in.



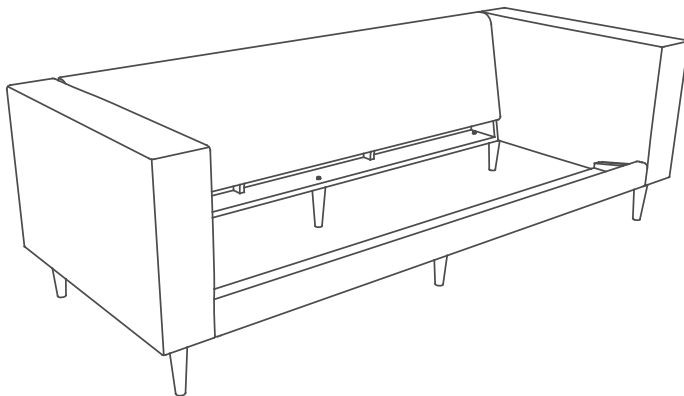
3. Flip the sofa over. Line the rectangular Base Plates up with the holes located on the Back (A) and Front Rail (D). Screw Thumb Bolts (E) into the holes clockwise until tight against the plates.



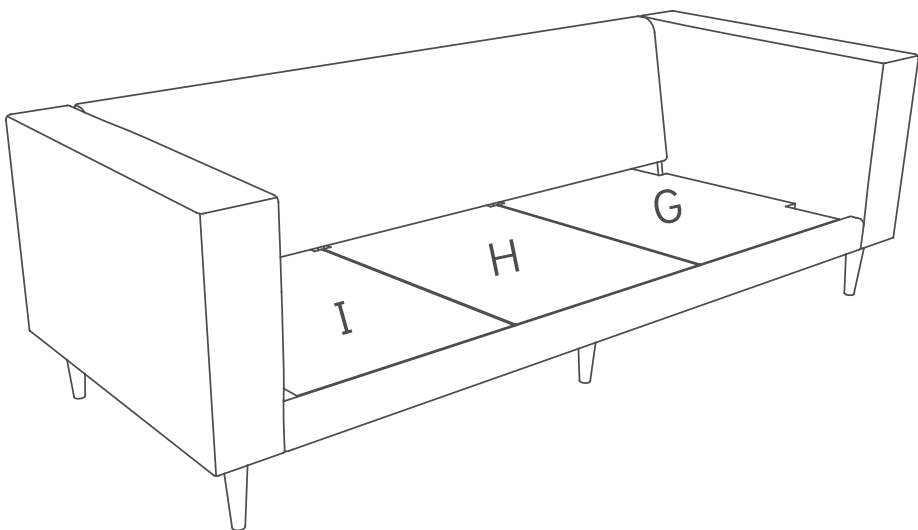
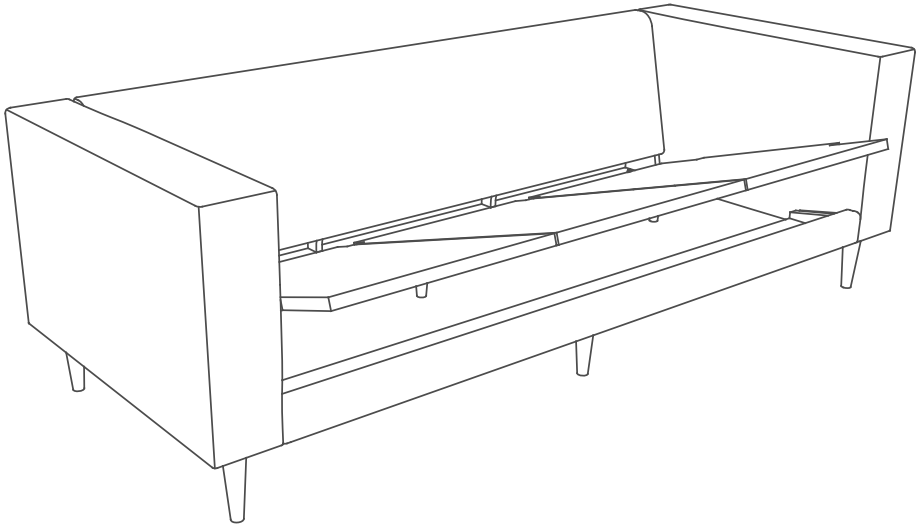
4. Screw all 6 Legs (F) into the holes as indicated.



5. Flip the couch right side up.

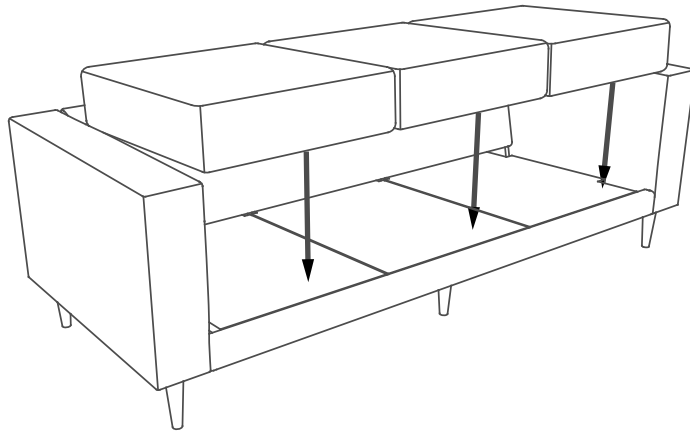


6. Lay Platforms (G), (H) and (I) across the Back (A) and Front Rail (D). When facing the front of the sofa, Platform (G) goes on the right, (H) in the middle, and (I) on the left side. Platforms should lay at an angle, slightly raised in the front resting on the black strip running across the front rail.

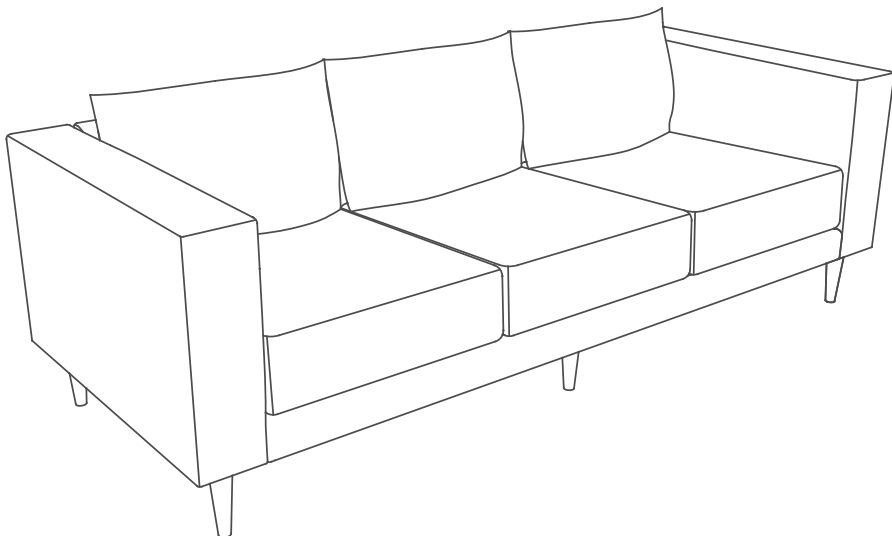


For Single Seat Cushions:

7. Place the Single Cushions (L) over the Platforms.

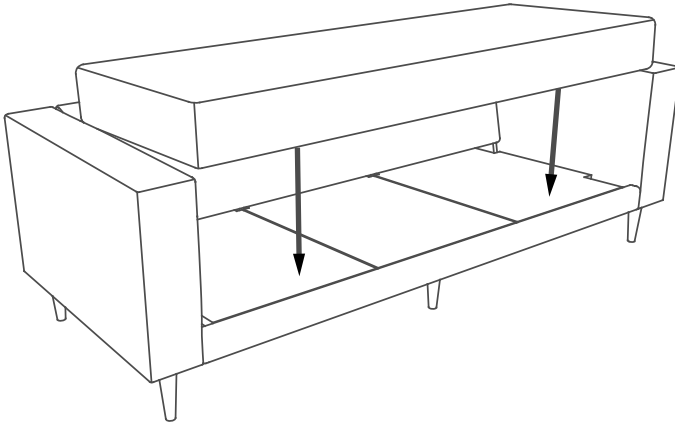


8. Put each back pillow insert into a cover. Pillow inserts should be placed into their covers with the pointy ends on the top and the notched ends on the bottom. Place the stuffed pillows against the Back (A).

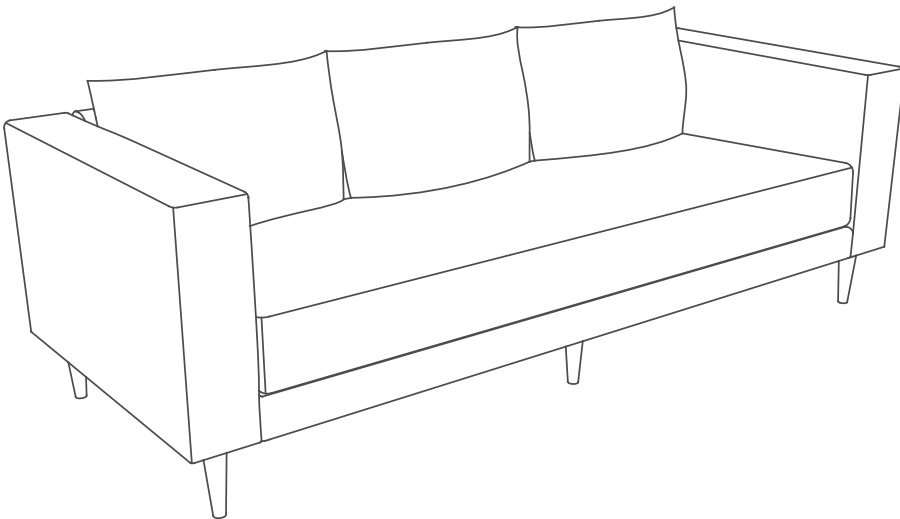


For Bench Cushions:

7. Put the fabric cover over the Bench Cushion (J) and place it over the platforms.



8. Put each back pillow insert into a cover. Pillow inserts should be placed into their covers with the pointed ends on the top and the notched ends on the bottom. Place the stuffed pillows against the Back (A).



SABAI

Thank you for shopping with Sabai! You're ready to get cozy.

Enjoy!





SABAI

Where to find us:

 [sabai.design](#)

 [sabai.design](#)

Questions or concerns?

general@sabai.design